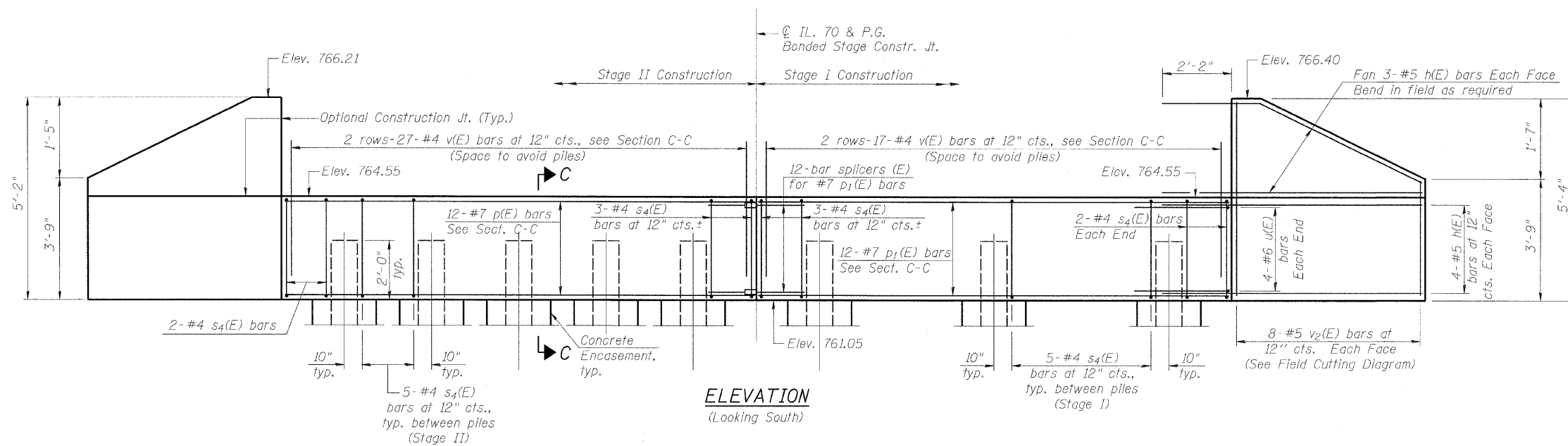
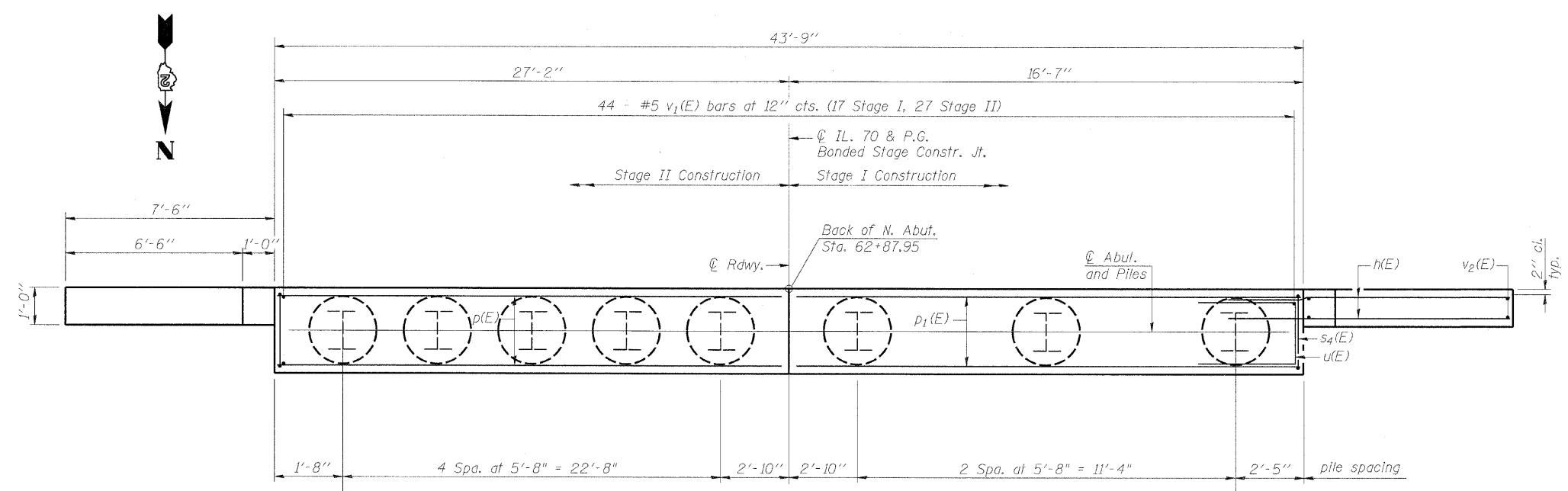


STATE OF ILLINOIS
DEPARTMENT OF TRANSPORTATION



ELEVATION
(Looking South)



PLAN

NOTE:
For bill of material, Section C-C and field cutting diagram for bar v2(E) see Sheet 15 of 21.

PILE DATA

Pile Type & Size: Steel - HP12X53
Nominal Required Bearing: RN = 320 kips
Factored Resistance Available: RF = 104 kips
Estimated Pile Length: 49'-0"
Number of Production Piles: 7
Number of Test Piles: 1

DESIGNED	MMH
CHECKED	RAD
DRAWN	R.VEJAR
CHECKED	RAD
AI-0	

HOH ENGINEERS, INC.
55 E. Jackson Blvd.
Chicago, Illinois 60604
312.346.8131
PROJECT # 2945

10-1-08

**SOUTH ABUTMENT
STRUCTURE NO. 101-0191**

SHEET NO. 16	F.A.S. RTE.	SECTION	COUNTY	TOTAL SHEETS	SHEET NO.
	55	(W-1-15d)BR-1	WINNEBAGO	59	36
CONTRACT NO. 64D22					
21 SHEETS	FED. ROAD DIST. NO.	ILLINOIS	FED. AID PROJECT		