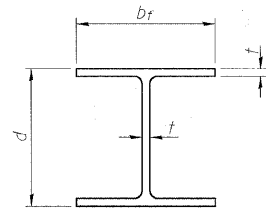
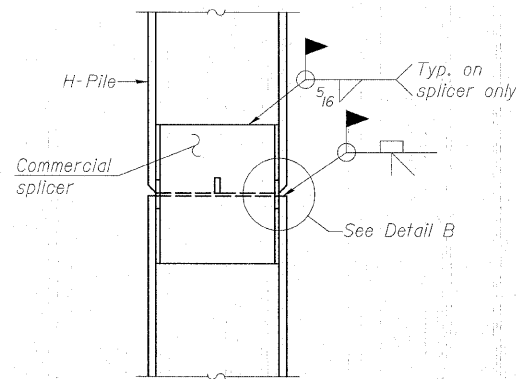


STATE OF ILLINOIS
DEPARTMENT OF TRANSPORTATION

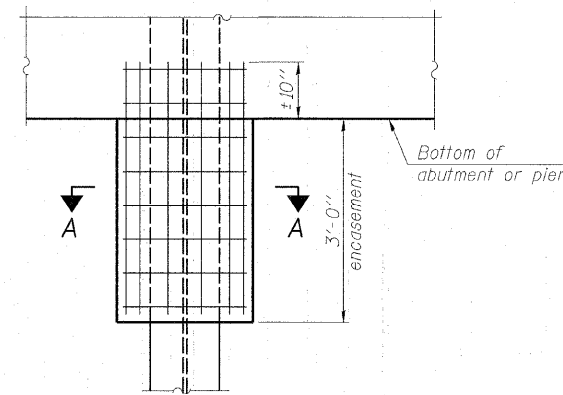


STEEL PILE TABLE

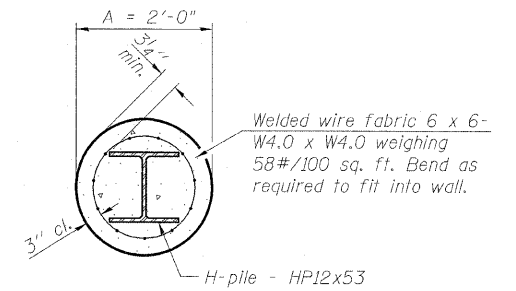
Designation	Depth d	Flange width b _f	Web and Flange thickness t	Encasement diameter A
HP 14x117	14 1/4"	14 7/8"	13/16"	30"
x102	14"	14 3/4"	11/16"	30"
x89	13 7/8"	14 3/4"	5/8"	30"
x73	13 5/8"	14 5/8"	1/2"	30"
HP 12x84	12 1/4"	12 1/4"	11/16"	24"
x74	12 1/8"	12 1/4"	5/8"	24"
x63	12"	12 1/8"	1/2"	24"
x53	11 3/4"	12"	7/16"	24"
HP 10x57	10"	10 1/4"	9/16"	24"
x42	9 3/4"	10 1/8"	7/16"	24"
HP 8x36	8"	8 1/8"	7/16"	18"



ELEVATION



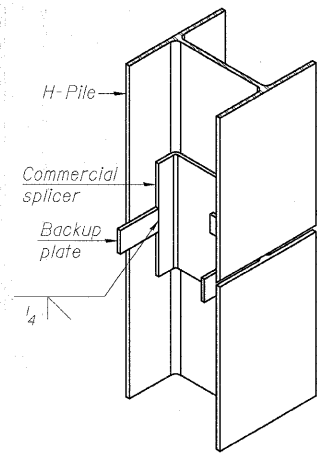
ELEVATION



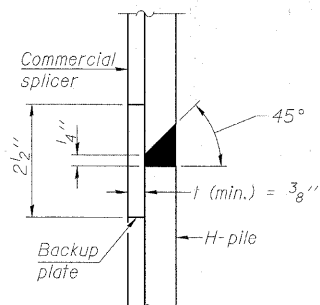
Note:
Forms for encasement may be omitted when soil conditions permit.
The cost of Excavation and Reinforcement is Included with Concrete Encasement.

SECTION A-A

PILE ENCASEMENT

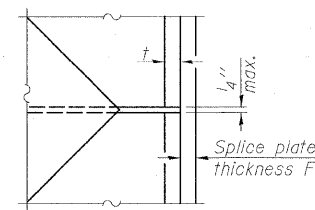


ISOMETRIC VIEW



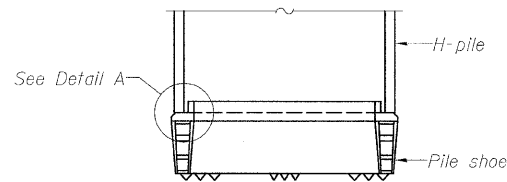
DETAIL "B"

WELDED COMMERCIAL SPLICE



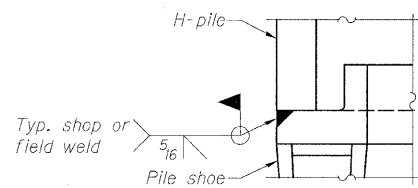
DETAIL D

Designation	F	F _t	F _w	W	W _t	W _w
HP 14x117	12 1/2"	1"	7/8"	7 3/4"	5/8"	1/2"
x102	12 1/2"	7/8"	3/4"	7 3/4"	5/8"	1/2"
x89	12 1/2"	3/4"	11/16"	7 3/4"	5/8"	1/2"
x73	12 1/2"	5/8"	9/16"	7 3/4"	5/8"	1/2"
HP 12x84	10"	7/8"	11/16"	6 1/2"	5/8"	1/2"
x74	10"	7/8"	11/16"	6 1/2"	5/8"	1/2"
x63	10"	5/8"	1/2"	6 1/2"	1/2"	3/8"
x53	10"	5/8"	1/2"	6 1/2"	1/2"	3/8"
HP 10x57	8"	3/4"	9/16"	5 1/4"	1/2"	3/8"
x42	8"	5/8"	9/16"	5 1/4"	1/2"	3/8"
HP 8x36	7"	5/8"	7/16"	4 1/4"	1/2"	3/8"

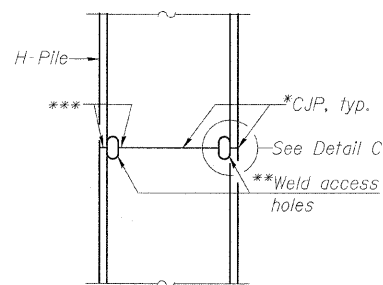


ELEVATION

H-PILE SHOE ATTACHMENT

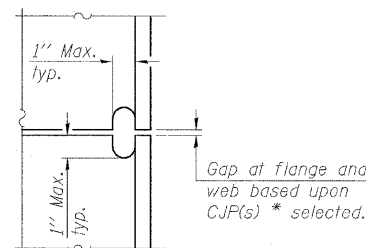


DETAIL A

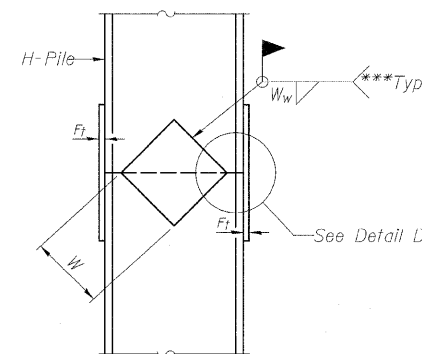


ELEVATION

COMPLETE PENETRATION WELD SPLICE

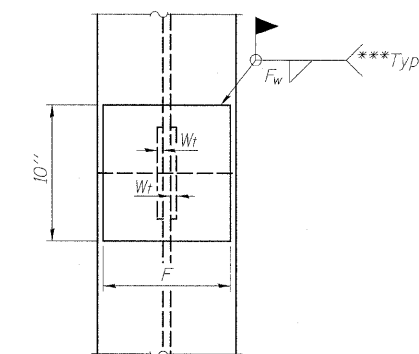


DETAIL C



ELEVATION

WELDED PLATE FIELD SPLICE



END VIEW

Note:
The steel H-piles shall be according to AASHTO M270 Grade 50.

*Use joint conforming to Figure 3.4 in AWS D1.1, Structure Welding Code - Steel.
**Preparation per Fig. 5.2 in AWS D1.1, Structure Welding Code - Steel.
***Interrupt welds 1/4" from end of each pile.

HP PILE DETAILS
STRUCTURE NO. 101-0191

DESIGNED	MMH
CHECKED	RAD
DRAWN	R.VEJAR
CHECKED	RAD
F-HP	10-01-08

HOH ENGINEERS, INC.
55 E. Jackson Blvd.
Chicago, Illinois 60604
312.346.8131
PROJECT # 2945

SHEET NO. 19	F.A.S. RTE. 55	SECTION (W-1-15d)BR-1	COUNTY WINNEBAGO	TOTAL SHEETS 59	SHEET NO. 39
CONTRACT NO. 64D22					
FED. ROAD DIST. NO.		ILLINOIS FED. AID PROJECT			