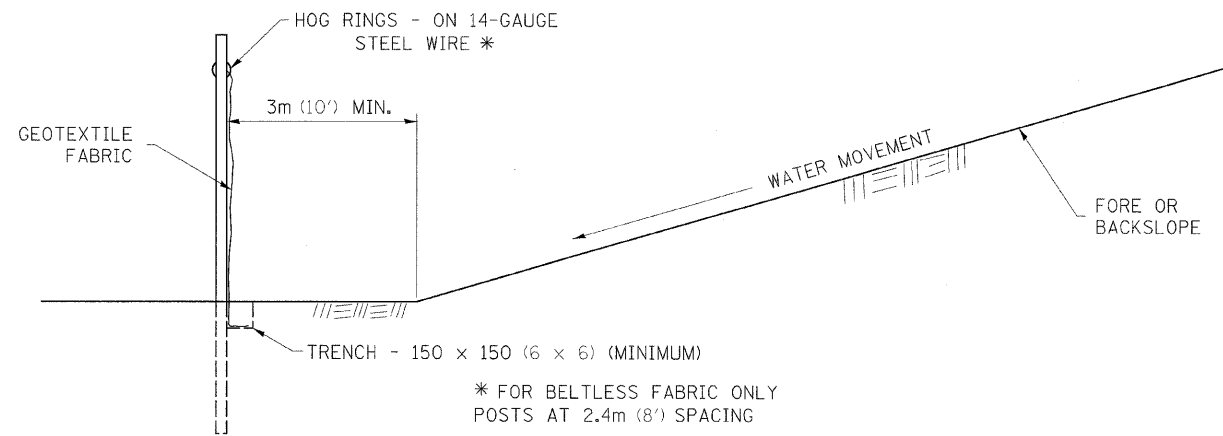
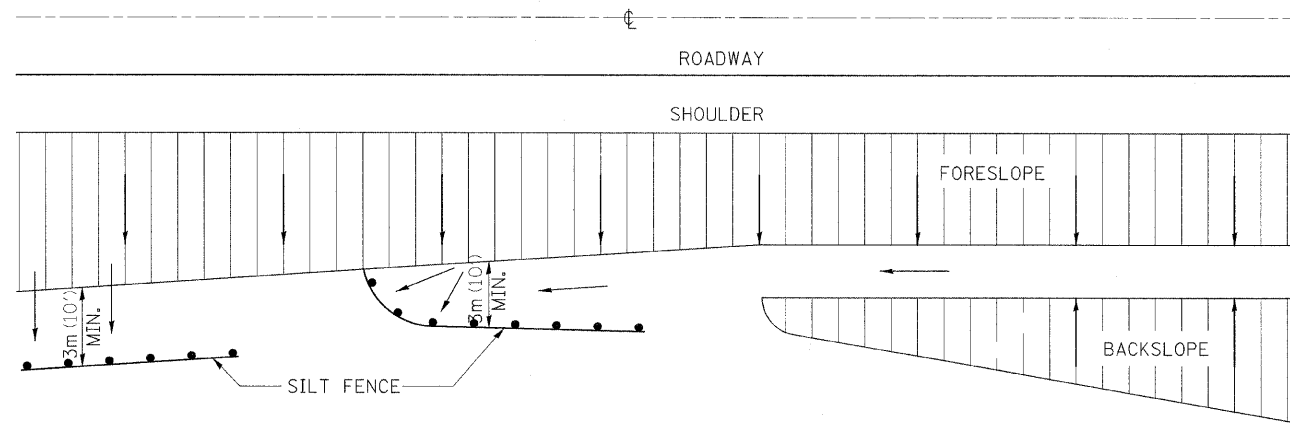


EROSION CONTROL DETAILS FOR SILT FENCE



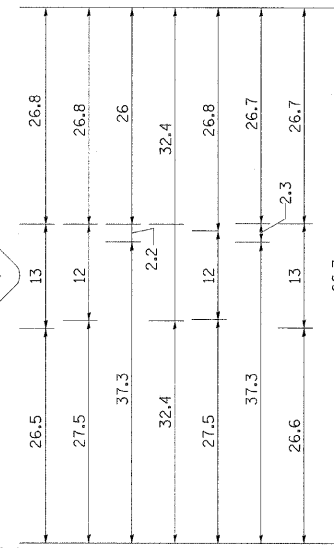
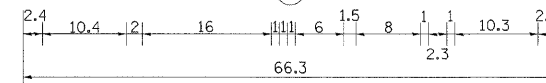
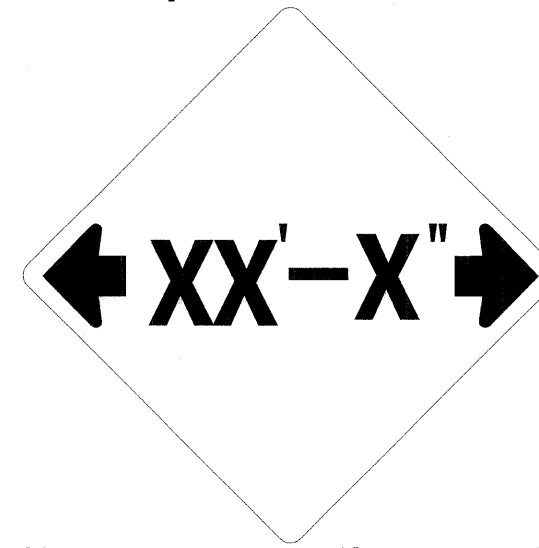
DETAILS OF SILT FENCE

ALL DIMENSIONS ARE IN MILLIMETERS (INCHES) UNLESS OTHERWISE NOTED.

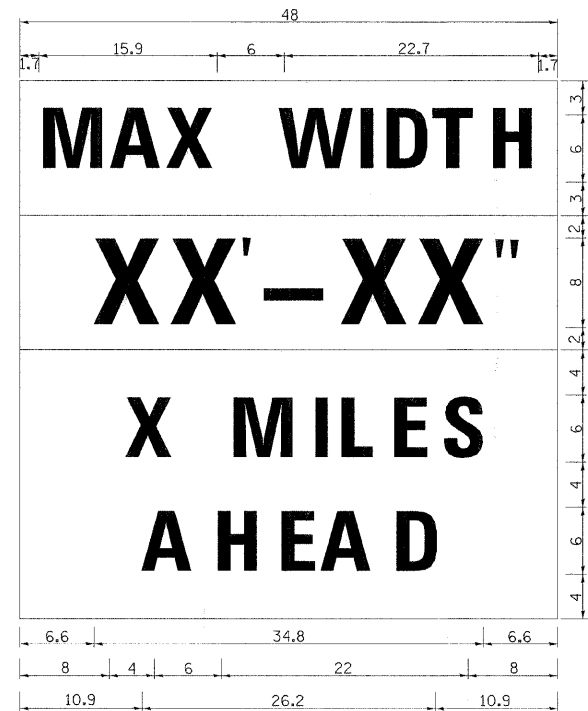
REVISED - 10-22-01

EROSION CONTROL DETAILS FOR SILT FENCE 29.2

INFORMATIONAL WARNING SIGN (FOR NARROW TRAVEL LANES)



NOTES
 W12-2 - Horizontal Clearance Sign
 48.0" across sides, 1.9" Radius,
 0.8" Border, 0.5" Indent, Black on
 Orange; Standard Arrow Custom
 10.4" X 8.1" 180° Black 11 Inch
 D Series Lettering; Standard Arrow
 Custom 10.4" X 8.1" 0°



W12-1103 (Width Is 8D);
 No border, Black on White;
 [MAX WIDTH] D;

No border, Black on Orange;
 [XX'-XX"] D;

No border, Black on White;
 [X MILES] D; [AHEAD] D;

All work to furnish and install these signs shall be included in the cost of the Traffic Control Standards and shall not be paid for separately.

ALL DIMENSIONS ARE IN INCHES UNLESS OTHERWISE NOTED.

REVISED - 1-9-08

INFORMATIONAL WARNING SIGNS (FOR NARROW TRAVEL LANES) 39.2

FILE NAME =	USER NAME = @USER@	DESIGNED -	REVISED -
H:\Projects\2944\DDNS\2862875T02.dgn		DRAWN -	REVISED -
		CHECKED -	REVISED -
		DATE -	REVISED -

STATE OF ILLINOIS
 DEPARTMENT OF TRANSPORTATION

REGION 2 / DISTRICT 2 STANDARD

SCALE: SHEET NO. OF SHEETS STA. TO STA.

F.A. RTE.	SECTION	COUNTY	TOTAL SHEETS	SHEET NO.
55	(W-1-15d)BR-1	WINNEBAGO	59	45
FED. ROAD DIST. NO.			ILLINOIS FED. AID PROJECT	