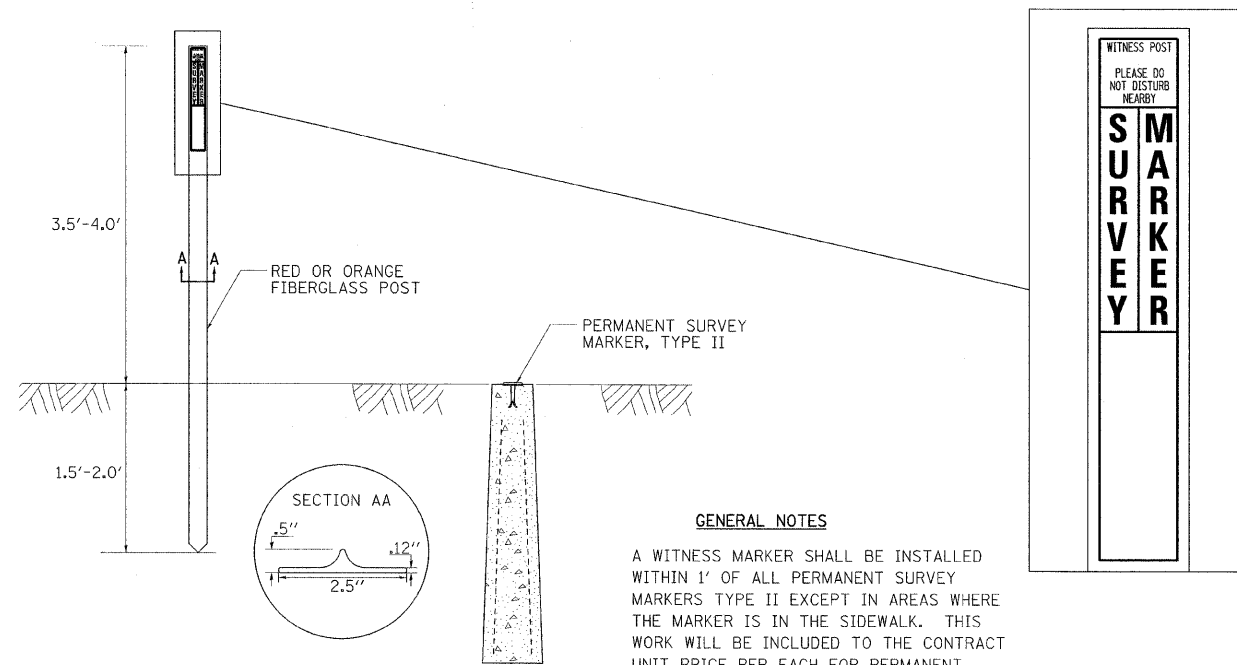
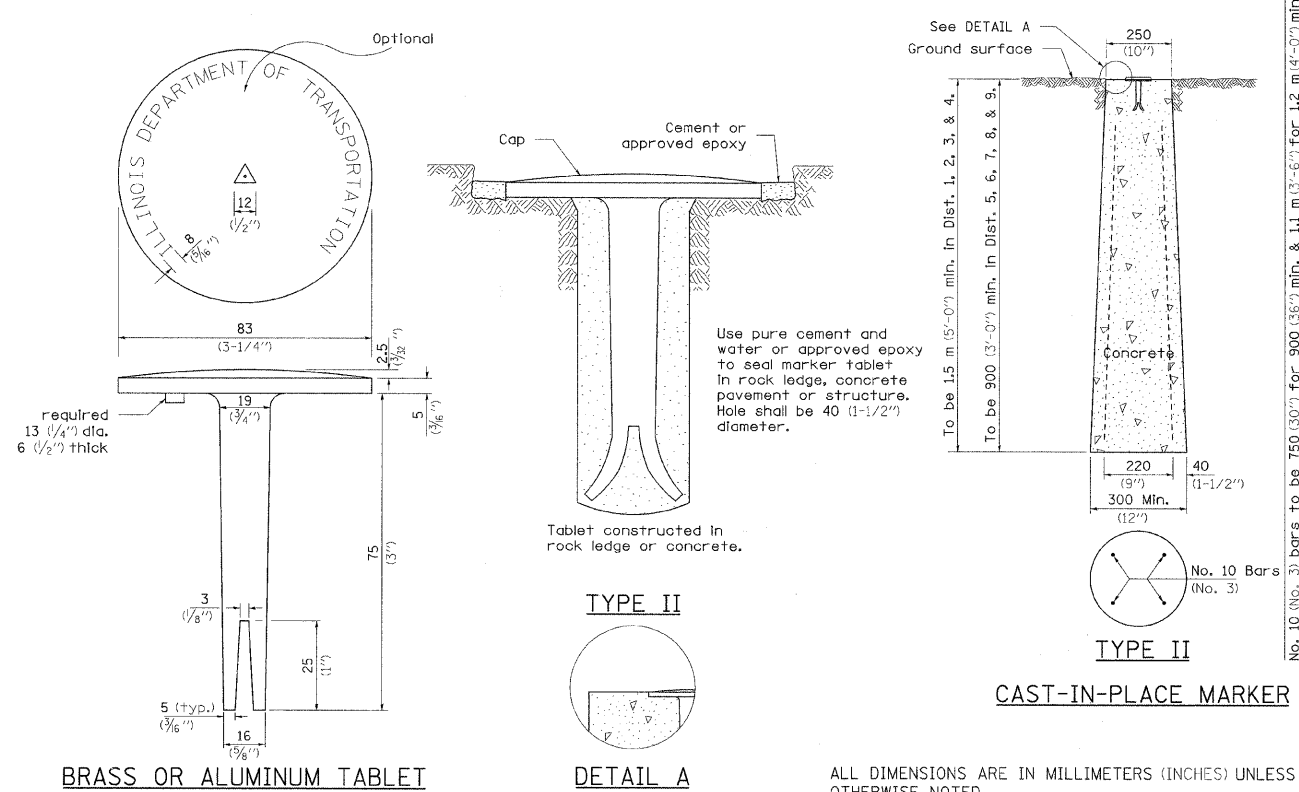


WITNESS MARKER FOR PERMANENT SURVEY MARKERS, TYPE II

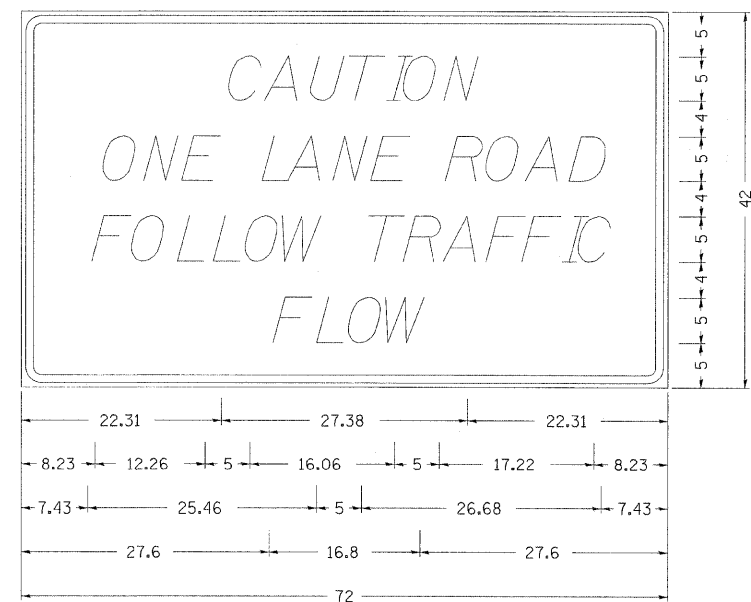


PERMANENT SURVEY MARKERS, TYPE II



WITNESS MARKER & PERMANENT SURVEY MARKERS, TYPE II 66.2

ENTRANCE SIGN FOR USE WITH TEMPORARY SIGNALS



Type AA Fluorescent Orange Sheeting :
 2.25" Radius, 0.88" Border, 0.50" Indent, Black on Orange;
 [CAUTION] D; [ONE LANE ROAD] D;
 [FOLLOW TRAFFIC] D; [FLOW] D

Table Of Widths And Spaces

22.31	C	A	U	T	I	O	N	22.31					
3.36	0.62	4.18	0.94	3.36	0.94	3.04	0.94	0.78	1.17	3.52	1.17	3.36	22.31
8.23	O	N	E										
3.51	1.17	3.36	1.18	3.04									
5.00	L	A	N	E									
3.05	0.31	4.18	0.94	3.36	1.17	3.05							
5.00	R	O	A	D									
3.36	0.93	3.52	0.94	4.18	0.93	3.36	8.23						
7.43	F	O	L	L	O	W							
3.04	0.94	3.52	1.17	3.04	0.94	3.05	0.94	3.51	0.94	4.37			
5.00	T	R	A	F	F	I	C						
3.05	0.94	3.36	0.94	4.18	0.93	3.05	0.94	3.04	0.94	0.78	1.18	3.35	7.43
27.60	F	L	O	W									
3.05	0.94	3.04	0.94	3.52	0.93	4.38	27.60						

GENERAL NOTES

THIS SIGN SHALL BE INSTALLED AT ENTRANCES LOCATED BETWEEN THE TEMPORARY SIGNALS AS DIRECTED BY THE ENGINEER.
 ALL DIMENSIONS ARE IN INCHES UNLESS OTHERWISE NOTED.
 THE COST TO FURNISH, INSTALL AND REMOVE THIS SIGN AT THE REQUIRED LOCATIONS SHALL BE INCLUDED IN THE COST OF TRAFFIC CONTROL AND PROTECTION STANDARD 701321.

ENTRANCE SIGN FOR USE WITH TEMPORARY SIGNALS 75.2