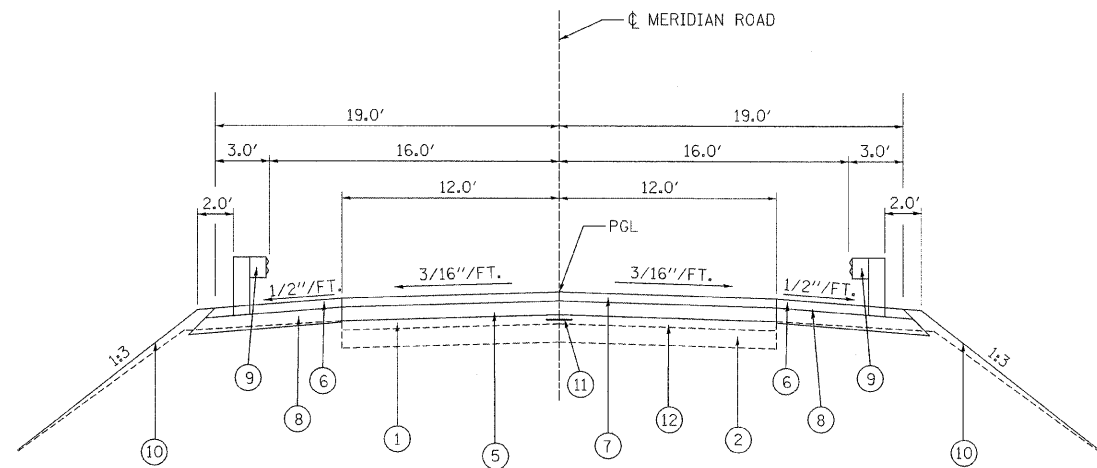


**MERIDIAN ROAD  
EXISTING SECTION**

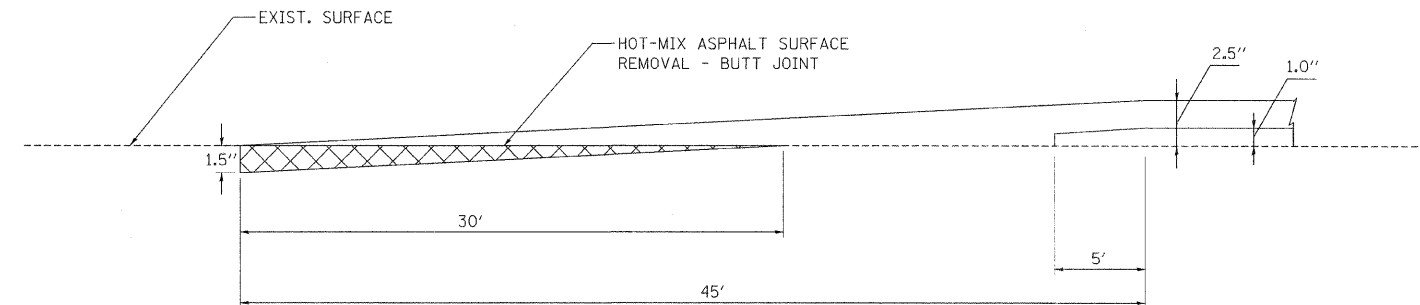
**STA. 96 + 70 TO 98 + 58  
STA. 98 + 94 TO 101 + 05 (BRIDGE OMISSION)  
STA. 101 + 41 TO 103 + 30**

- ① EXISTING HOT-MIX ASPHALT
- ② EXISTING CONCRETE BASE, 10.5"
- ③ EXISTING AGGREGATE SHOULDER (TO BE REMOVED, AND PAID AS EARTH EXCAVATION)
- ④ EXISTING GUARDRAIL (TO BE REMOVED)
- ⑤ LEVELING BINDER (MACHINE METHOD), N70 (VARIES 1" TO 9")
- ⑥ HOT-MIX ASPHALT SURFACE COURSE, MIX "C", N50, 1 1/2"
- ⑦ HOT-MIX ASPHALT SURFACE COURSE, MIX "D", N70, 1 1/2"
- ⑧ HOT-MIX ASPHALT SHOULDERS, 6 1/2"
- ⑨ STEEL PLATE BEAM GUARDRAIL, TYPE A
- ⑩ SEEDING, CLASS 2A  
EROSION CONTROL BLANKET  
NITROGEN FERTILIZER NUTRIENT  
PHOSPHORUS FERTILIZER NUTRIENT  
POTASSIUM FERTILIZER NUTRIENT  
(FERTILIZER INCLUDED IN COST OF SEEDING)
- ⑪ STRIP REFLECTIVE CRACK CONTROL TREATMENT
- ⑫ BITUMINOUS MATERIALS (PRIME COAT) (INCIDENTAL)



**MERIDIAN ROAD  
PROPOSED SECTION**

**STA. 96 + 70 TO 98 + 58.50  
STA. 98 + 94 TO 101 + 05 (BRIDGE OMISSION)  
STA. 101 + 41.50 TO 103 + 30**



REMOVAL

**HOT-MIX ASPHALT TAPER DETAIL**

FILE NAME =	USER NAME = #USER#	DESIGNED - AAF	REVISED -
H:\Projects\2945\DGNS\09209507\2095071	PL.dgn	DRAWN - JAM	REVISED -
	PLOT SCALE = 5.0000' / IN.	CHECKED - BAP	REVISED -
	PLOT DATE = 11/13/2009	DATE - 2/02/09	REVISED -

**STATE OF ILLINOIS  
DEPARTMENT OF TRANSPORTATION**

**MERIDIAN ROAD  
TYPICAL SECTIONS**

SCALE: NONE SHEET NO. 1 OF 1 SHEETS STA. N/A TO STA. N/A

<b>HOH</b>		HARRY D. HEFFER ASSOCIATES, INC. ENGINEERS AND CONSULTING ENGINEERS		55 East Jackson Blvd. Suite 800 Chicago, Illinois 312-546-8151		PROJECT NUMBER <b>2945</b>
F.A.P. RTE.	SECTION	COUNTY	TOTAL SHEETS	SHEET NO.		
301	1-HBR-2	WINNEBAGO	57	6		
FED. ROAD DIST. NO.			ILLINOIS FED. AID PROJECT			CONTRACT NO. 64D50