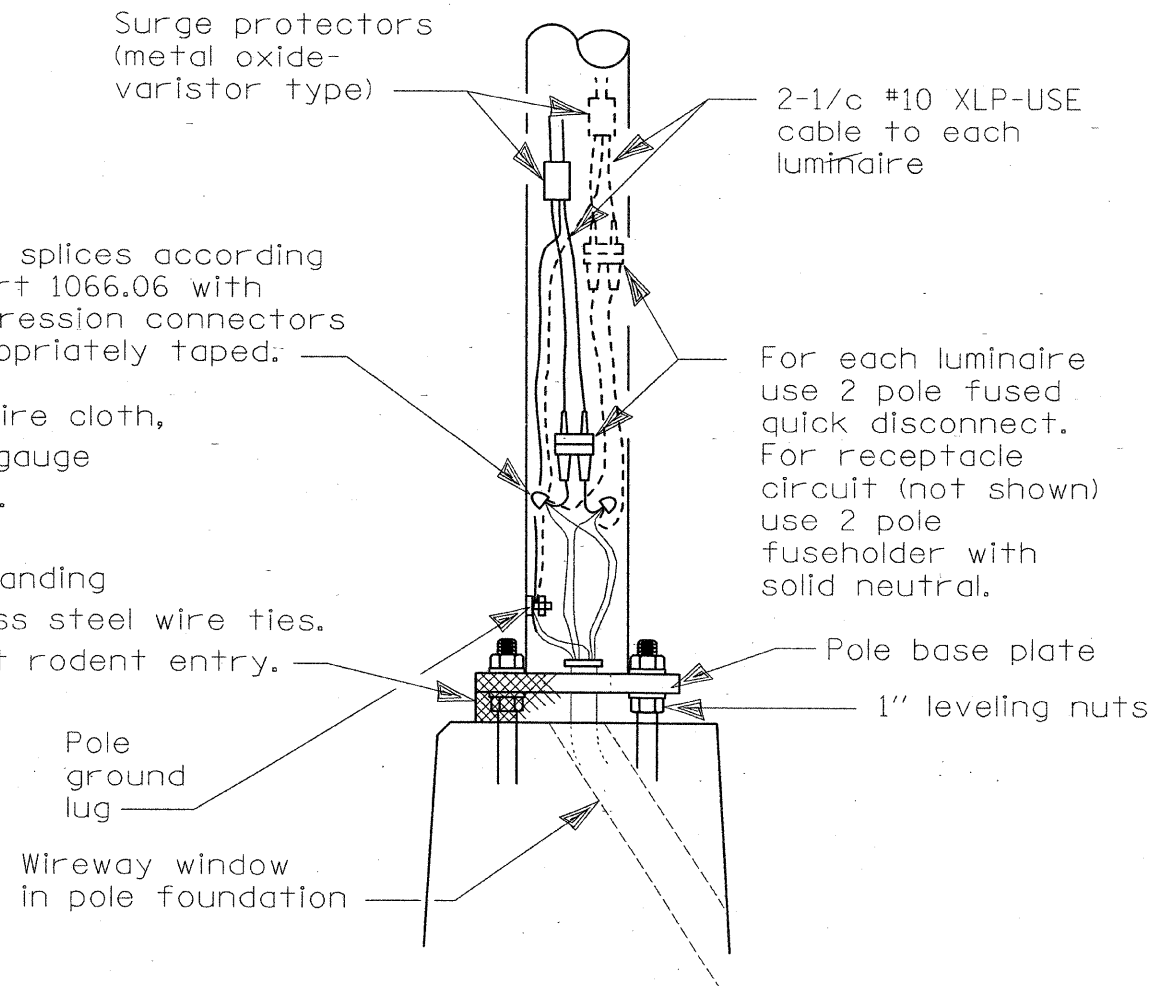


F.A.P. RTE	SECTION	COUNTY
301	I-HBR-2	WINNEBAGO
PROJECT NHF-0301 (063)	TOTAL SHEETS 57	SHEET NO. 16
CONTRACT NO. 64D50		



Stainless steel standard grade wire cloth,
6x6 (1/4") mesh or less with #16 gauge
(0.062") diameter or heavier wire.

Attach with 1/2" stainless steel banding
or tie back on itself with stainless steel wire ties.
Finished installation must prevent rodent entry.

Cable splices according
to Art 1066.06 with
compression connectors
appropriately taped:

2-1/c #10 XLP-USE
cable to each
luminaire

For each luminaire
use 2 pole fused
quick disconnect.
For receptacle
circuit (not shown)
use 2 pole
fuseholder with
solid neutral.

Pole base plate

1" leveling nuts

Pole
ground
lug

Wireway window
in pole foundation

WIRING DETAIL

NO SCALE

GENERAL NOTES

All taped splices shall use 2 layers of electrical tape
over 3 layers of rubber tape as required by the
Standard Specifications. Coat the finished taped
splice with bonding compound.

All cable splices shall be taped unless another method
has been specifically approved by the Engineer.

For example purposes the pole is shown on an anchor base.
If the pole is required to be set on a breakaway base,
consult the Standard Specifications.

All dimensions are in millimeters (inches)
unless otherwise shown.

DRAFT COPY
not for distribution

DATE	REVISIONS	POLE HANDHOLE WIRING
7/31/08	Updated	
		DRAFT

LGTO08A.DGN