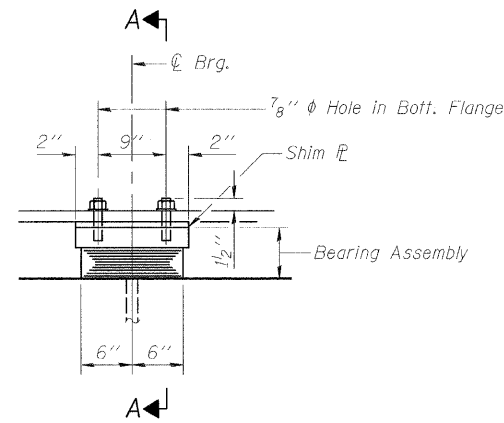


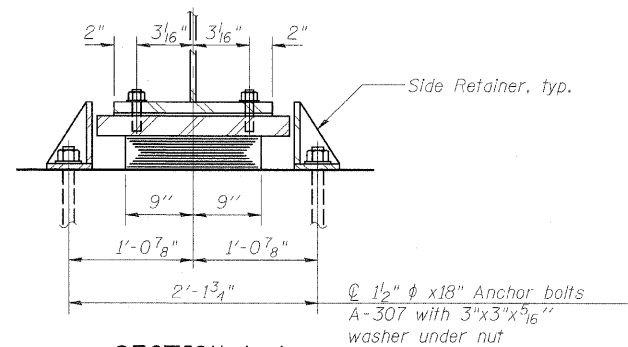
STATE OF ILLINOIS
DEPARTMENT OF TRANSPORTATION

ROUTE NO. F.A.P. 301	SECTION 1-HBR-2	COUNTY WINNEBAGO	TOTAL SHEETS 57	SHEET NO. 31	SHEET NO. 12 27 SHEETS
FED. ROAD DIST. NO. 7		ILLINOIS	FED. AID PROJECT		

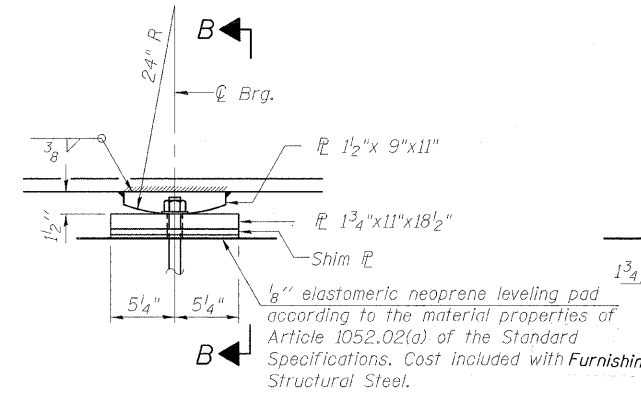
Contract #64D50



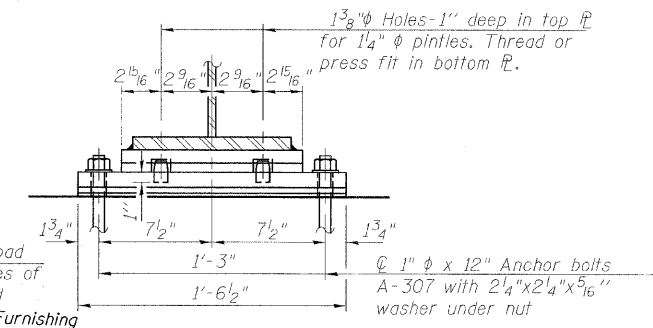
ELEVATION AT PIERS 1 & 3



SECTION A-A

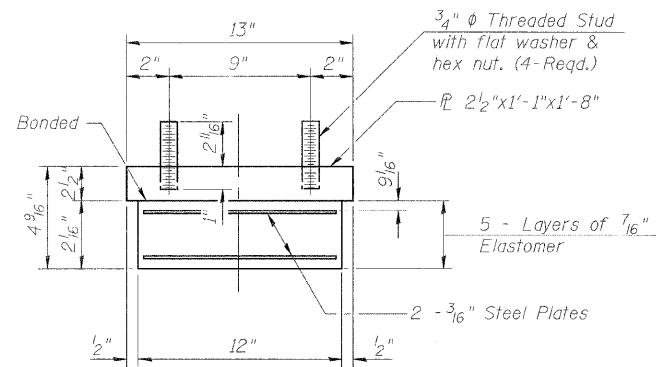


ELEVATION AT PIER 2



SECTION B-B

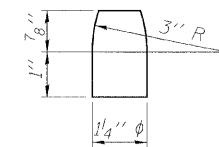
TYPE I ELASTOMERIC EXP. BRG.



BEARING ASSEMBLY

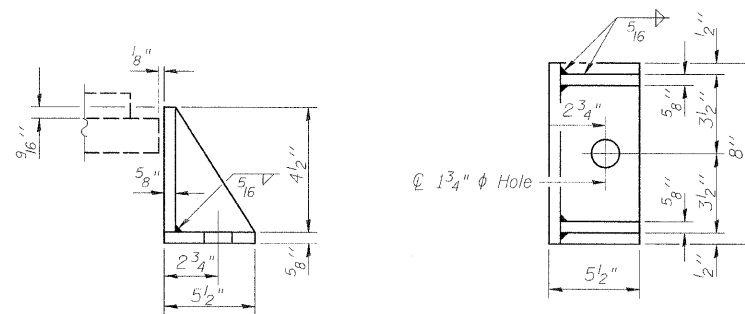
Note:
Shim plates shall not be placed under Bearing Assembly.
The structural steel plates of the Bearing Assembly shall conform to the requirements of AASHTO M 270 Grade 36.

Notes:
Anchor bolts shall be ASTM F1554 all-thread (or an Engineer-approved alternate material) of the grade(s) and diameter(s) specified. ASTM A307 Grade C anchor bolts may be used in lieu of ASTM F1554 Grade 36 (Fy=36ksi). The corresponding specified grade of AASHTO M314 anchor bolts may be used in lieu of ASTM F1554.
Anchor bolts at fixed bearings may be either cast in place or installed in holes drilled after the supported member is in place.
Anchor bolts for side retainers may be cast in place or installed in holes drilled before or after members are in place.
Drilled and set anchor bolts shall be installed according to Article 521.06 of the Standard Specifications.
Side retainers and other steel members required for the bearing assembly shall be included in the cost of Furnishing Elastomeric Bearing Assembly, Type I.
Two 1/8 in. adjusting shims shall be provided for each bearing in addition to all other plates or shims and placed as shown on bearing details. Cost included in Furnishing Elastomeric Bearing Assembly Type I.



PINTLE

FIXED BEARING



SIDE RETAINER FOR PIERS 1 & 3

Equivalent rolled angle with stiffeners will be allowed in lieu of welded plates.

NOTE: Furnishing Structural Steel and Furnishing Elastomeric Bearing Assembly Type I is not included in this contract.

BILL OF MATERIAL

Item	Unit	Total
Erecting Elastomeric Bearing Assembly Type I	Each	12
Anchor Bolts 1"	Each	12
Anchor Bolts 1 1/2"	Each	24

DESIGNED	GUN / OAO
CHECKED	FCO
DRAWN	TCS / GUN
CHECKED	FCO

11-1-06

BEARING DETAILS (PIERS)
MERIDIAN ROAD OVER US 20
F.A.P. 301 (US 20) - SEC. 1-HBR-2
WINNEBAGO COUNTY
STATION 100+00
STRUCTURE NO. 101-0096