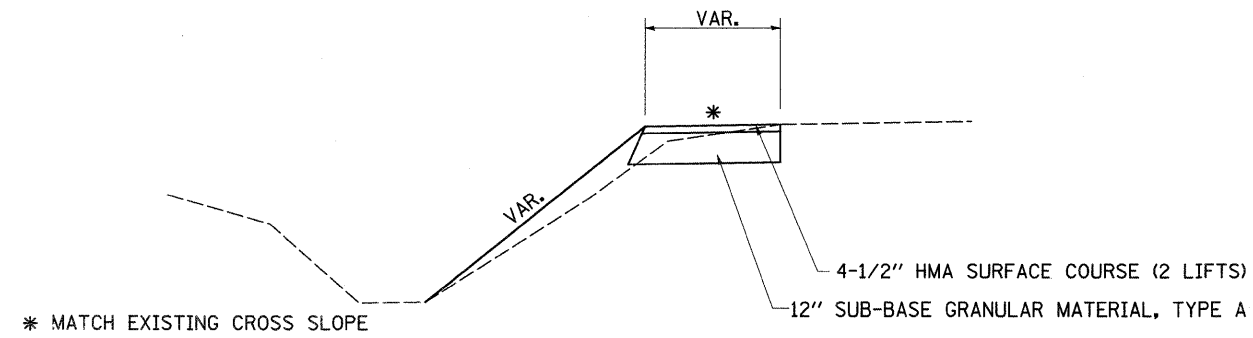
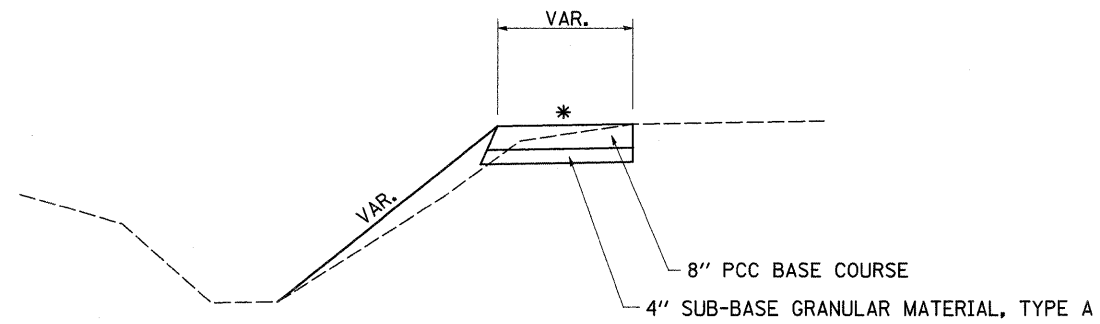


TYPICAL SECTIONS

TEMPORARY PAVEMENT (ASPHALT OPTION)
US 20 WESTBOUND / MAIN ST. CROSSOVER



TEMPORARY PAVEMENT (CONCRETE OPTION)
US 20 WESTBOUND / MAIN ST. CROSSOVER



FILE NAME =	USER NAME = cushmanbw	DESIGNED -	REVISED -
of\pwork\PIWIDOT\CUSHMANBW\d0117386\022809-typsec1.dgn		DRAWN -	REVISED -
		CHECKED -	REVISED -
		DATE -	REVISED -

STATE OF ILLINOIS
DEPARTMENT OF TRANSPORTATION

TYPICAL SECTIONS

SCALE: SHEET NO. OF SHEETS STA. TO STA.

F.A.P. RTE.	SECTION	COUNTY	TOTAL SHEETS	SHEET NO.
301	31T	JO DAVIESS	160	16
CONTRACT NO. 64D92				
ILLINOIS FED. AID PROJECT				