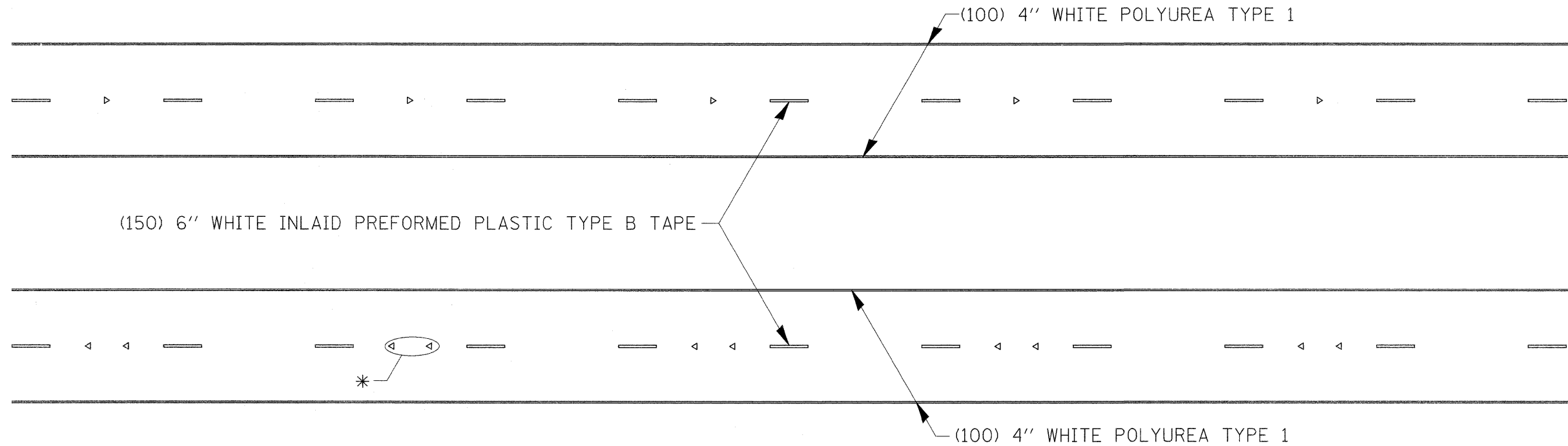
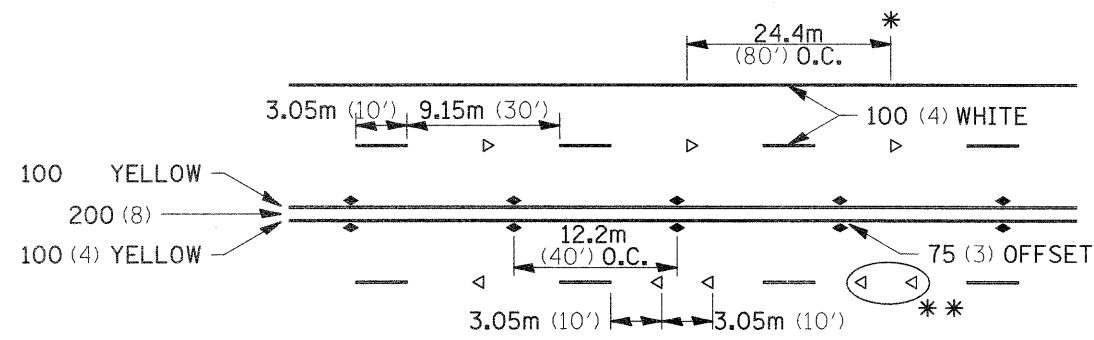


# TYPICAL PAVEMENT MARKINGS



\* SEE HIGHWAY STANDARD 781001 FOR SPACING DETAILS.  
USE DOUBLE MARKERS WHEN ADT ≥ 25,000.

## MULTI-LANE / DIVIDED

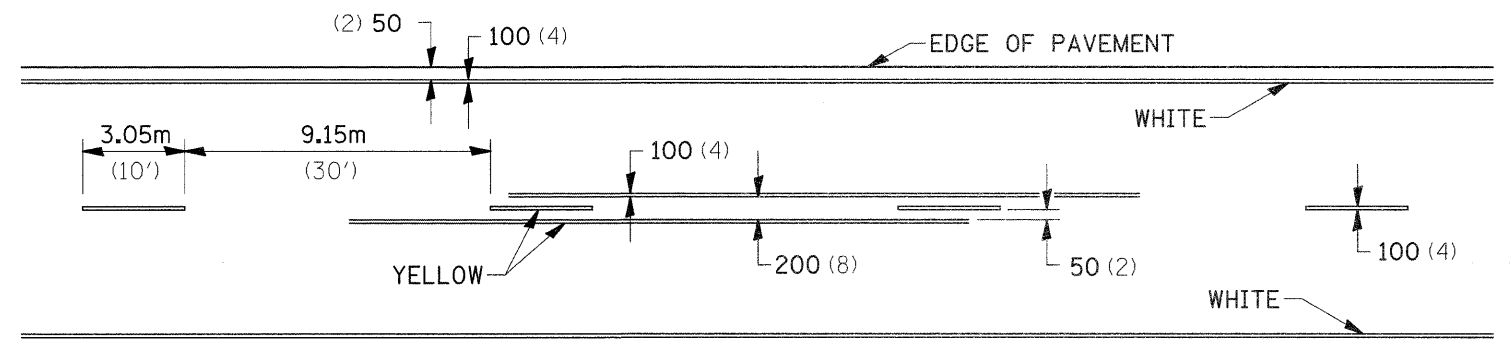


\* REDUCE TO 12.2m (40') O.C. ON CURVES WHERE ADVISORY SPEEDS ARE 15Km/H (10MPH) LOWER THAN POSTED SPEEDS.  
\*\* USE DOUBLE MARKERS WHEN ADT ≥ 25,000

## MULTI-LANE / UNDIVIDED

### SYMBOLS

## TYPICAL PAVEMENT MARKING FOR TWO LANE SECTION - NO PASSING ZONES



FILE NAME =	USER NAME = cushmanbw	DESIGNED -	REVISED - 10-21-08
cr:\pw_work\pwsdot\cushmanbw\d0117386\022008-deta11a.dgn	2008-deta11a.dgn	DRAWN -	REVISED -
PLOT SCALE = 50.0000 / IN.	CHECKED -	REVISED -	REVISED -
PLOT DATE = Wed Dec 09 12:07:56 2009	DATE -	REVISED -	REVISED -

STATE OF ILLINOIS  
DEPARTMENT OF TRANSPORTATION

REGION 2 / DISTRICT 2 STANDARD

F.A.P. RTE.	SECTION	COUNTY	TOTAL SHEETS	SHEET NO.
301	31T	JO DAVIESS	160	67
FED. ROAD DIST. NO.			ILLINOIS FED. AID PROJECT	
			CONTRACT NO. 64D92	

SCALE: SHEET NO. OF SHEETS STA. TO STA.