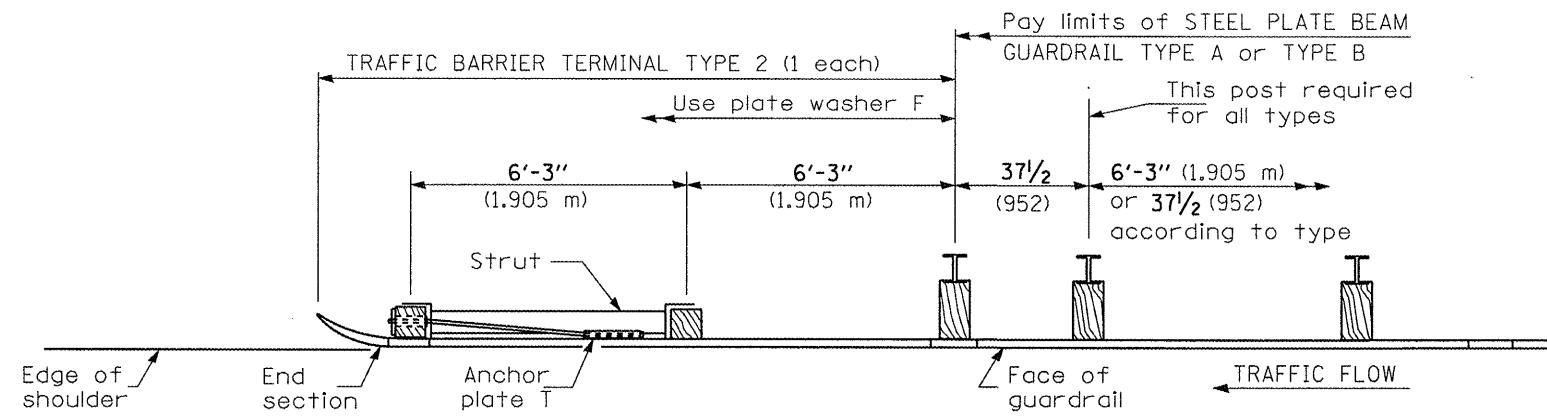
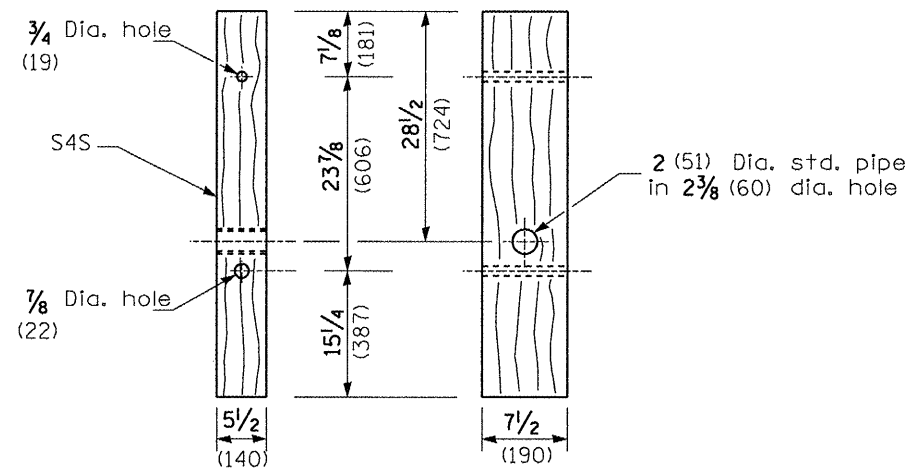


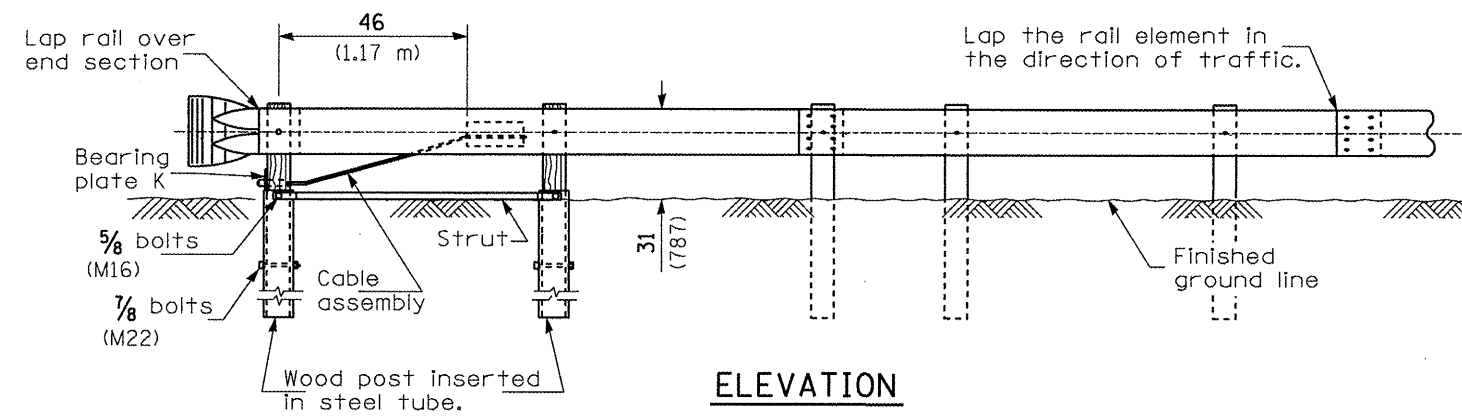
BEARING PLATE K



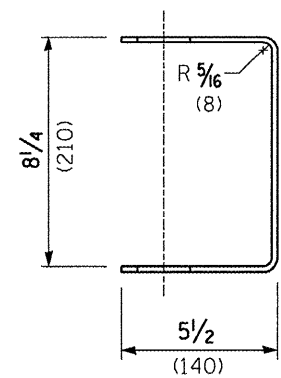
PLAN



WOOD POST

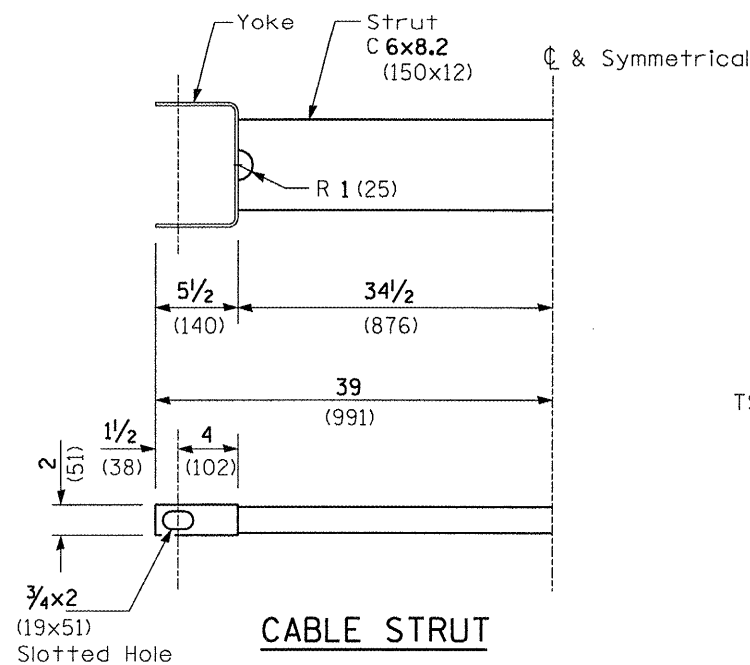


ELEVATION

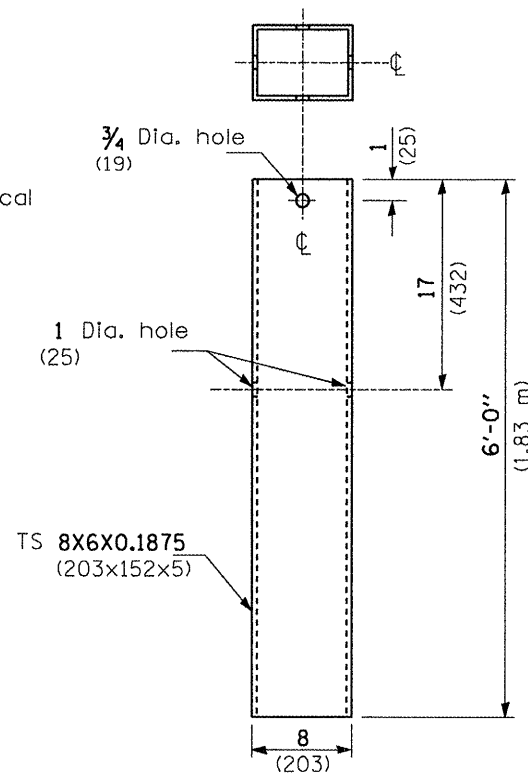


YOKE

3/16 (5) thick steel



CABLE STRUT



STEEL TUBE

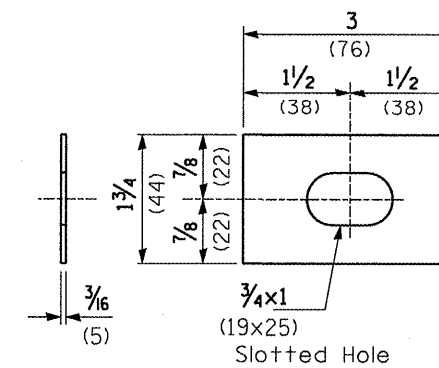


PLATE WASHER F

GENERAL NOTES

See Standard 630001 for details of guardrail not shown.

The bearing plate K shall be held in position by (2) two eight penny nails driven into the post and bent over the top of the plate.

All dimensions are in inches (millimeters) unless otherwise noted.

03-01-07 NEW DETAIL

RJD

STATE OF ILLINOIS
DEPARTMENT OF TRANSPORTATION

TRAFFIC BARRIER TERMINAL, TYPE 2

NOT TO SCALE

CADD STD. 631011-04

F.A.P. RTE.	SECTION	COUNTY	TOTAL SHEETS	SHEET NO.
318	72-((7)RS-2(1,7-11))	PEORIA	30	28
CONTRACT NO. 68847				
FED. ROAD DIST. NO.		ILLINOIS FED. AID PROJECT		