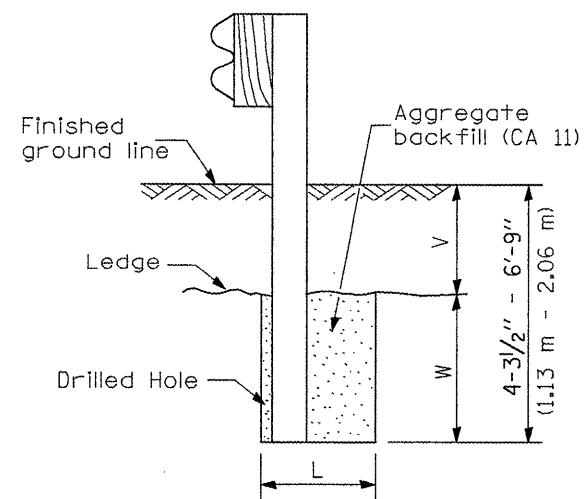


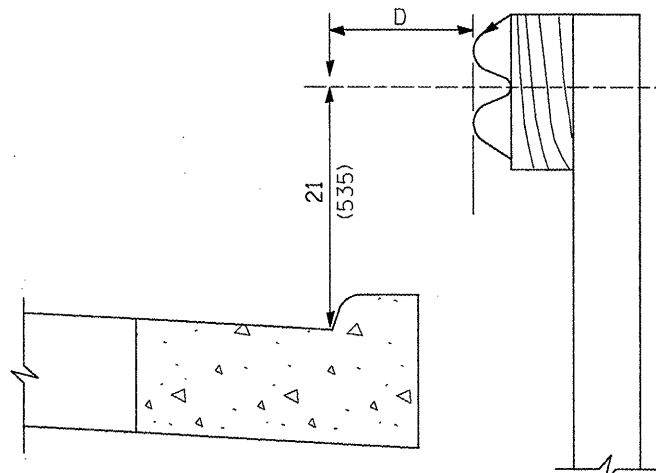
PLAN



Notes:
Ledge line is top of rock ledge or hard slag fill.

ELEVATION

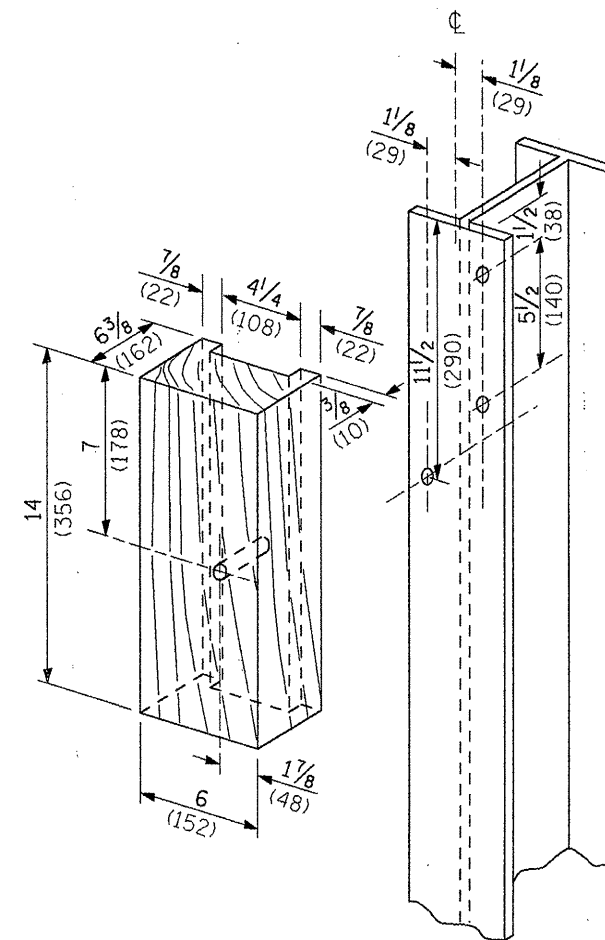
FOOTING FOR POST WHEN IMPERVIOUS MATERIAL IS ENCOUNTERED



Note:
If it is necessary for D to be more than 12 (300) and less than 10'-0" (3.0 m) type M-2 (M-5) curb and gutter (Std. 606001) shall be used in front of and in advance of the guardrail.

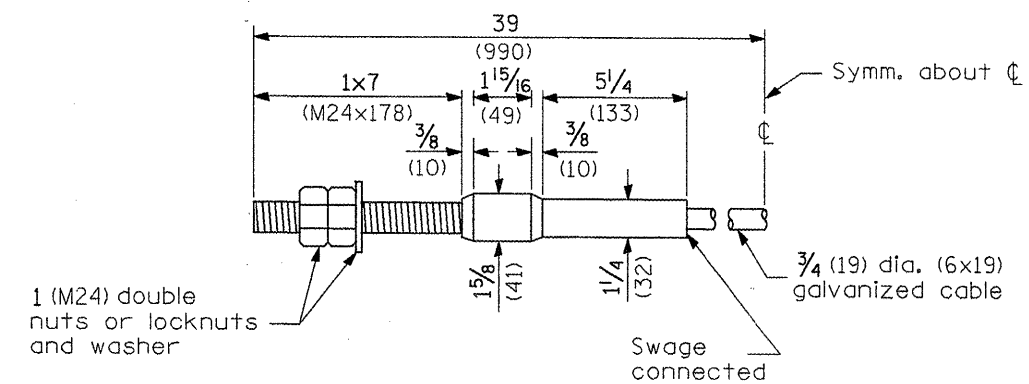
GUARDRAIL PLACED BEHIND CURB

(D = 0 desirable to 12 (300) maximum)



WOOD BLOCK-OUT AND STEEL POST DETAILS

V	W	L	
		Steel Post	Wood Post
0 - 18 (0 - 460)	24 (610)	21 (530)	23 (580)
>18 - 41.5 (>460 - 825)	12 (305)	8 (203)	10 (250)
>41.5 - 53.5 (>825 - 1.13 m)	12 - 0 (305 - 0)	8 (203)	10 (250)



CABLE ASSEMBLY

(18,100 kg (40,000 lbs.) min. breaking strength)
Tighten to taut tension.

All dimensions are in inches (millimeters) unless otherwise noted.

STATE OF ILLINOIS
DEPARTMENT OF TRANSPORTATION

GUARDRAIL INSTALLATION DETAIL

NOT TO SCALE SHEET NO. 4 OF 4 SHEETS

F.A.S. RTE.	SECTION	COUNTY	TOTAL SHEETS	SHEET NO.
698 649	123RS-4,122,124RS-5,2RS-3,3RS-4	MARSHALL PUTNAM	40	28
CONTRACT NO. 68915				
FED. ROAD DIST. NO. ILLINOIS FED. AID PROJECT				