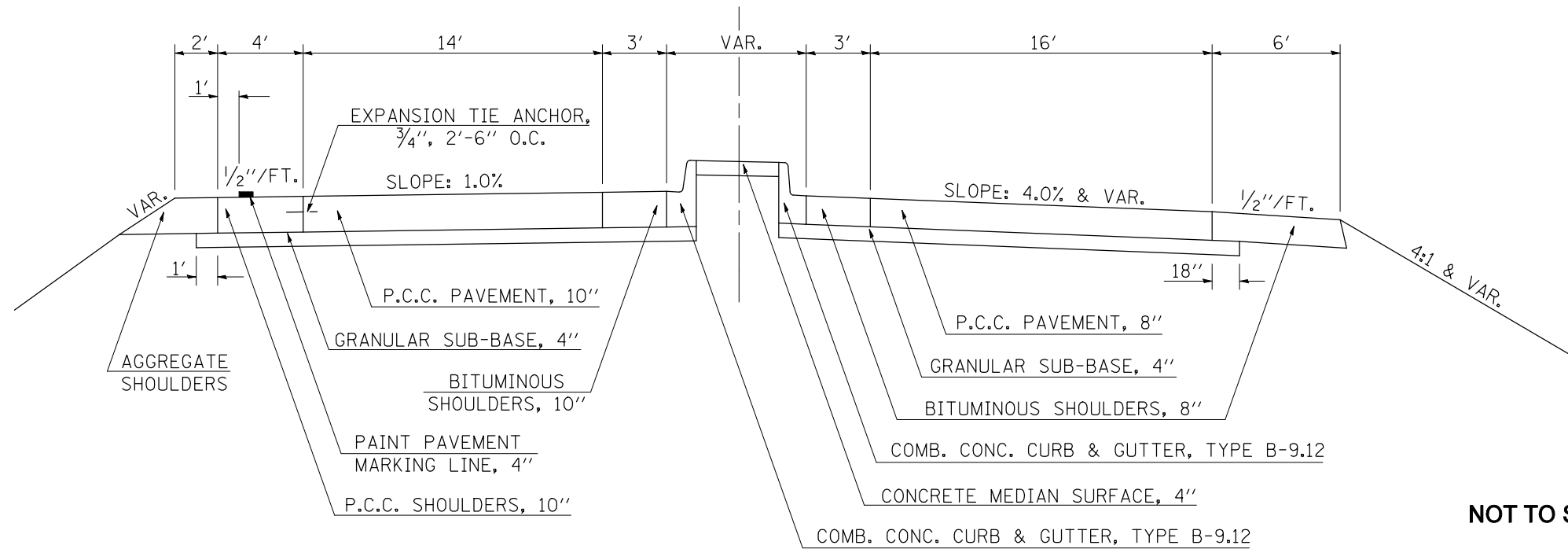


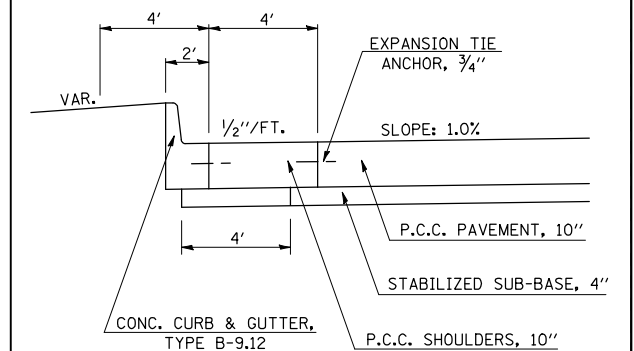
F.A.I. RTE.	SECTION	COUNTY	TOTAL SHEETS	SHEET NO.
57	(10-30)RA-1-2	CHAMPAIGN	119	10
STA.		TO STA.		
FED. ROAD DIST. NO.	ILLINOIS	FED. AID PROJECT		

EXISTING TYPICAL SECTION ONSITE TRUCK LOT DRIVES (SEE PLANS)



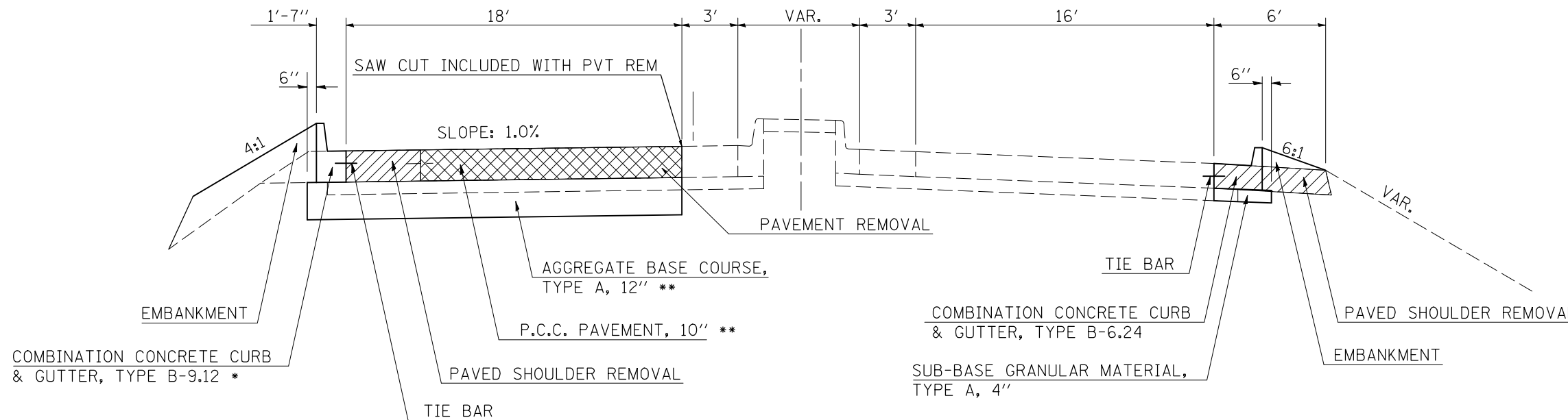
NOT TO SCALE

OUTSIDE TRUCK LOT



3. PROPOSED TYPICAL SECTION ONSITE TRUCK LOT DRIVES (SEE PLANS)

- * NORTHBOUND & SOUTHBOUND REST AREAS
- ** NORTHBOUND REST AREA ONLY



NOT TO SCALE

SHEET 3 OF 4

REVISIONS	
NAME	DATE

ILLINOIS DEPARTMENT OF TRANSPORTATION

TYPICAL SECTIONS FOR TRUCK LOT DRIVES

SCALE: VERT.
HORIZ.
DATE

DRAWN BY
CHECKED BY

PLOT DATE = 12/4/2009
 FILE NAME = c:\p\p\work\11001\SHERER\JM.dwg
 PLOT SCALE = 4.23625 / 1 IN.
 USER NAME = sherer_jm