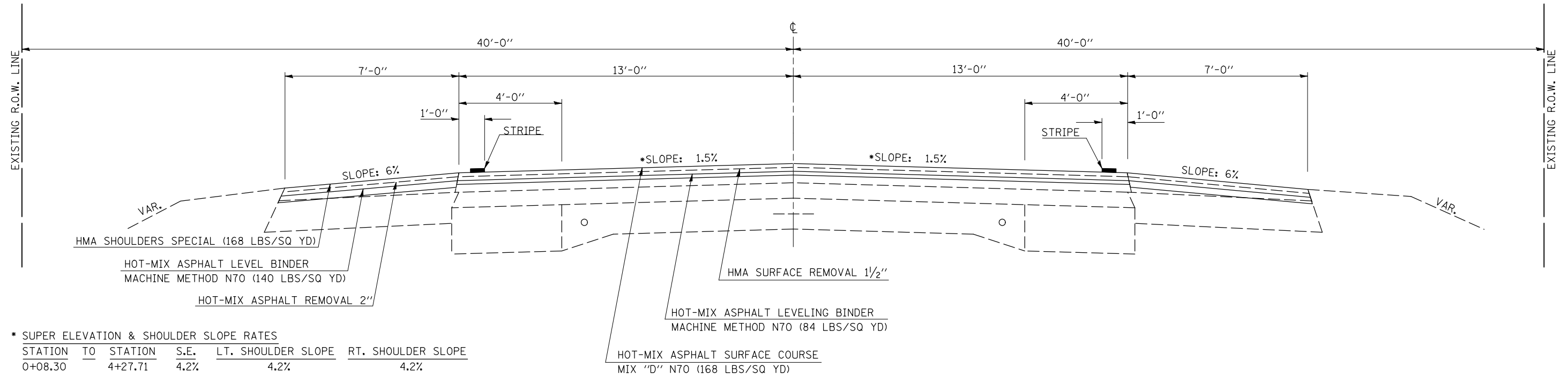


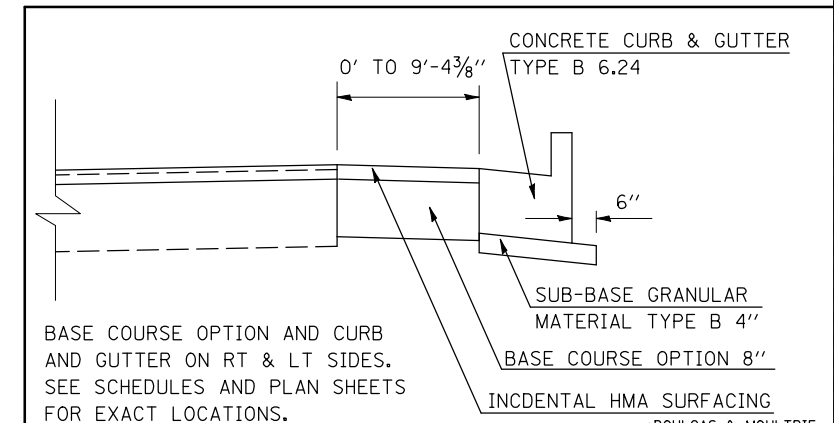
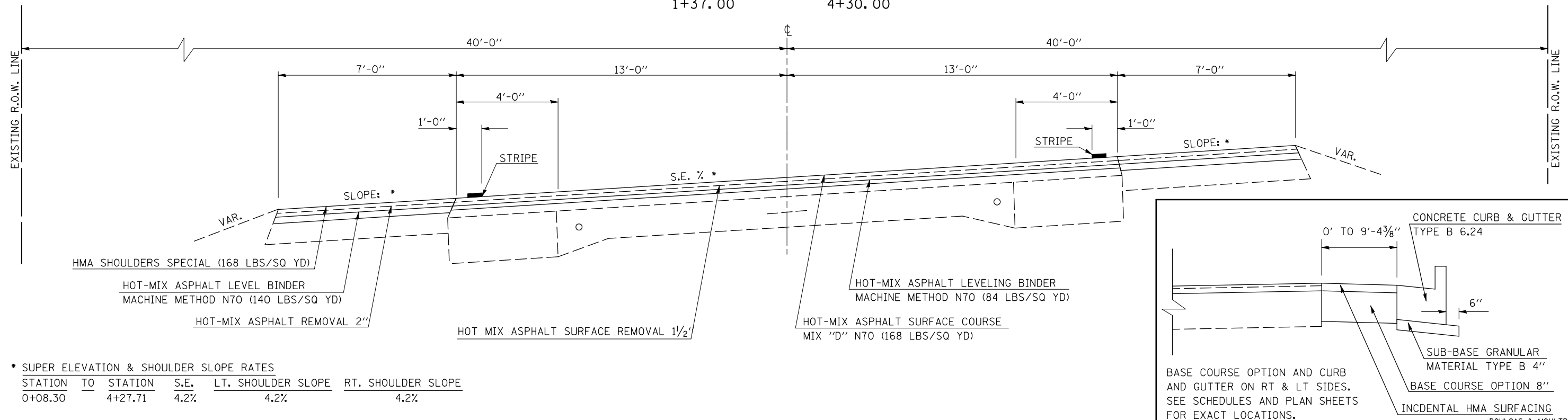
1 PROPOSED TYPICAL CROSS SECTION

STATION TO STATION
0+14.00 TO 1+37.00



2 PROPOSED TYPICAL CROSS SECTION

STATION TO STATION
1+37.00 TO 4+30.00



FILE NAME =	USER NAME = bowerml	DESIGNED - MLB	REVISED -
ct:\pw\work\PIWIDOT\BOWERML\dms85036\typ\col1.s.dgn		DRAWN - MLB	REVISED -
PLOT SCALE = 40.0000' / IN.		CHECKED -	REVISED -
PLOT DATE = 12/4/2009		DATE - 06/25/09	REVISED -

STATE OF ILLINOIS
DEPARTMENT OF TRANSPORTATION

PROPOSED TYPICAL CROSS SECTIONS

SCALE: N/A SHEET NO. OF SHEETS STA. TO STA.

F.A.P. RTE.	SECTION	COUNTY	TOTAL SHEETS	SHEET NO.
749	120RS-3	*	55	9
CONTRACT NO. 70234				
FED. ROAD DIST. NO. ILLINOIS FED. AID PROJECT				