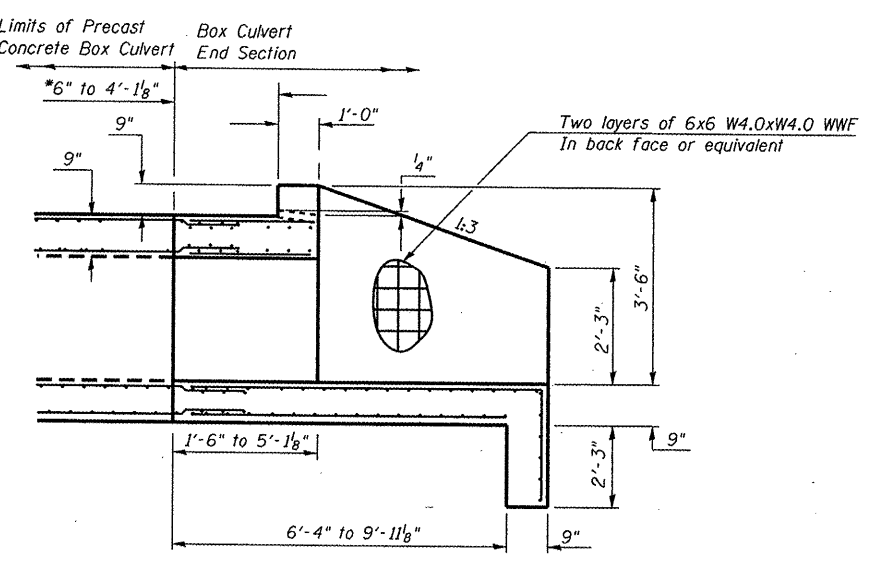
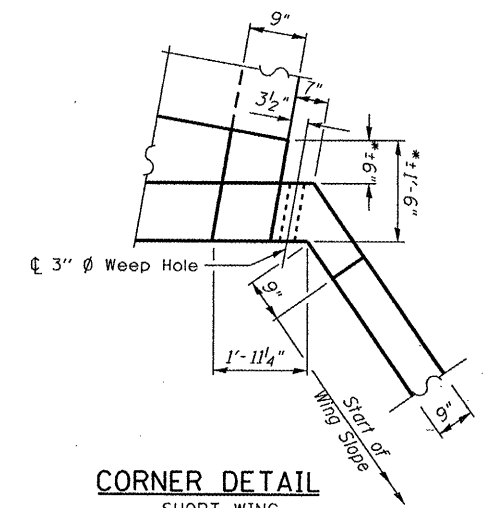


**END ELEVATION**

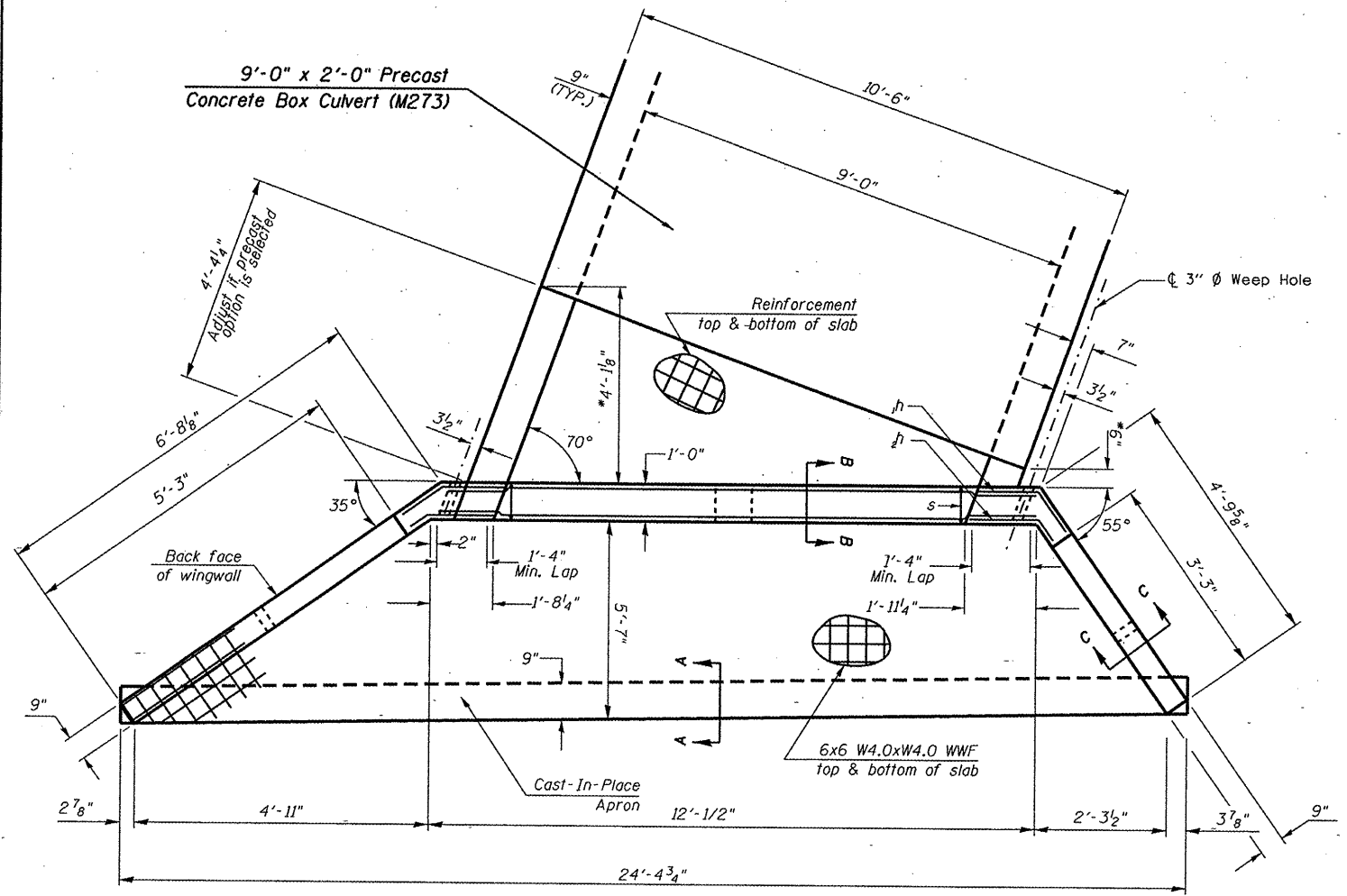


**HALFSIDE ELEVATION**

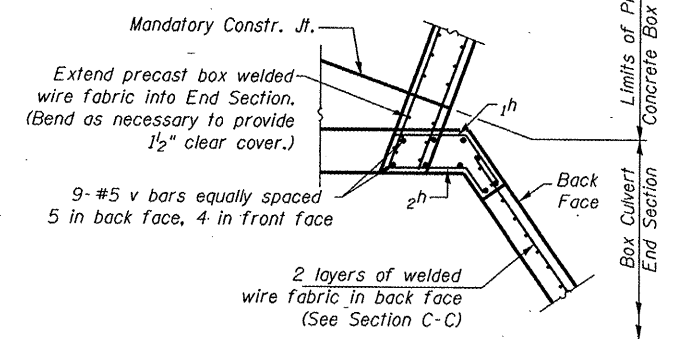
(DIMENSIONS AT RIGHT ANGLES TO C ROADWAY)



**CORNER DETAIL**  
SHORT WING  
(Showing dimensions and weep hole)

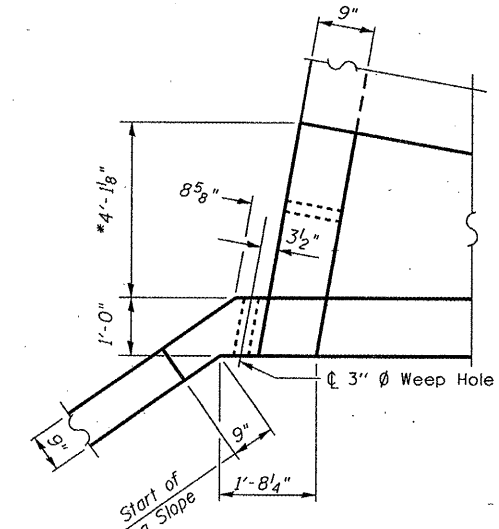


**PLAN**



**SECTION D-D**

SHORT WING  
(Showing reinforcement)



**CORNER DETAIL**

LONG WING  
(Showing dimensions and weep hole)

\* DIMENSIONS SHALL BE INCREASED BY 3'-0" IF THE CONTRACTOR ELECTS TO USE THE PRECAST OPTION FOR THE BOX CULVERT END SECTIONS. SEE SPECIAL PROVISIONS.

FILE NAME =	USER NAME = #USER#	DESIGNED - <i>MLB</i>	REVISED -	<b>STATE OF ILLINOIS DEPARTMENT OF TRANSPORTATION</b>	<b>DOWNSTREAM CAST-IN-PLACE END SECTION DETAIL STATION 2 + 48.30, SN 021-8055</b>	F.A.P. RTE. 749	SECTION 12ORS-3	COUNTY *	TOTAL SHEETS 55	SHEET NO. 31	<b>CONTRACT NO. 70234</b>
#FILEL#	PLOT SCALE = #SCALE#	DRAWN - <i>MLB</i>	REVISED -			SCALE:	SHEET NO. OF SHEETS STA. TO STA.	ILLINOIS FED. AID PROJECT			
	PLOT DATE = #DATE#	CHECKED -	REVISED -								
		DATE - 10/27/09	REVISED -								

DOUGLAS & MOULTRIE