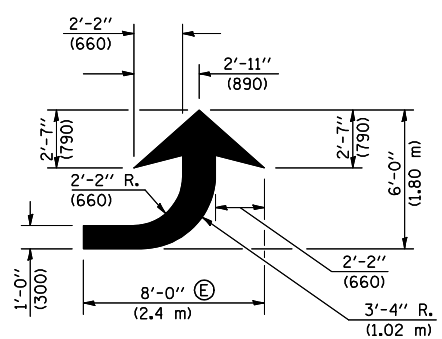


\* REDUCE TO 40 FEET (12.2 METERS) ON CENTER ON CURVES WHERE ADVISORY SPEEDS ARE 10 MPH (15 km/h) LOWER THAN POSTED SPEEDS.

\*\* DOUBLE LANE LINE MARKERS SHALL BE SPECIFIED AND SPACED AS SHOWN IN HIGHWAY STANDARD 781001 FOR MULTI-LANE DIVIDED AND UNDIVIDED HIGHWAYS.

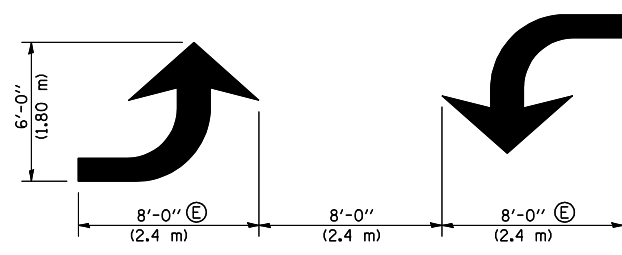
**GENERAL NOTES:**

- Ⓑ TURN ARROW PAIRS SHALL BE PLACED AT 250' (75 m) INTERVALS AND SHALL BE EVENLY SPACED BETWEEN BOTH ENDS OF THE BIDIRECTIONAL LEFT TURN LANE.
- Ⓒ THE SOLID YELLOW PAVEMENT MARKINGS [2] SHOULD GENERALLY START OR END NEAR THE RADIUS POINT OF EACH STREET RETURN EXCEPT WHERE ONE OR BOTH ENDS WOULD INCLUDE STOP BARS.
- Ⓓ THE SKIP-DASH PAVEMENT MARKINGS [1] OR [7] SHOULD BE CENTERED BETWEEN BOTH ENDS OF EACH CITY BLOCK AND SHALL BE PLACED SO THEY LINE UP ACROSS FROM EACH OTHER. SEE EXAMPLE ON SHEET 2 OF 3.
- Ⓔ USE LARGE ARROW SIZE FOR BOTH RURAL AND URBAN LOCATIONS. (SEE LAST PAGE OF SECTION 780x FOR SYMBOLS TABLE)



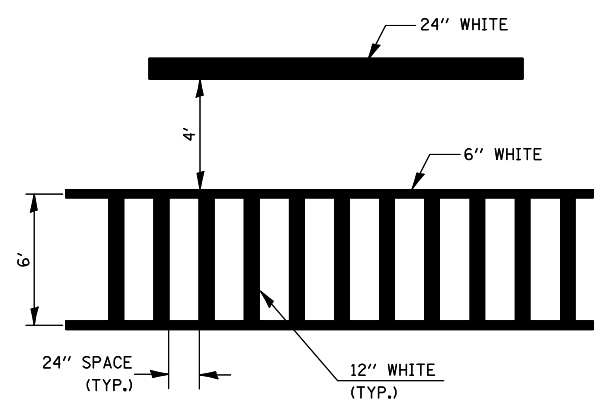
**LEFT ARROW**

REVERSE FOR RIGHT ARROW  
AREA = 15.6 SQ. FT. (1.47 m<sup>2</sup>)  
(WHITE)

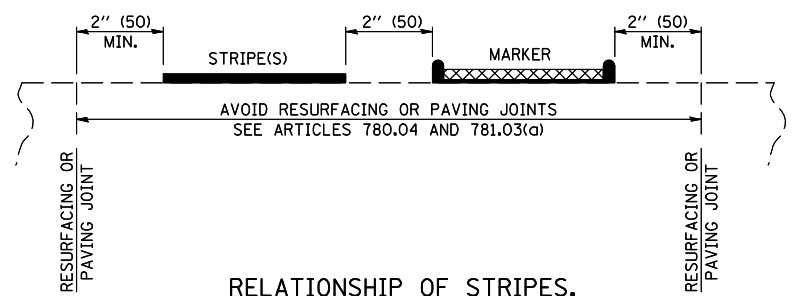


**TYPICAL DOUBLE TURN ARROWS (WHITE)**

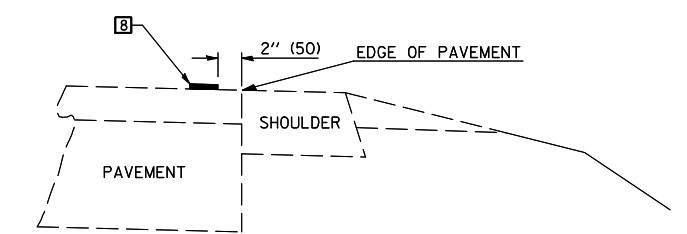
**BLOOMINGTON-NORMAL CITY LIMITS ONLY**



**TYPICAL SPACING FOR CROSSWALKS & STOP BARS**



**RELATIONSHIP OF STRIPES, MARKERS AND JOINTS**



**RELATIONSHIP OF EDGE LINE TO EDGE OF PAVEMENT**  
(SAFETY SHOULDER OR PAVED SURFACE)  
SEE ARTICLE 780.04

Note: All dimensions are in INCHES (millimeters) unless otherwise shown.

•DOUGLAS & MOULTRIE

**DISTRICT 5 DETAIL NO. 7800AAA**

FILE NAME =	USER NAME = bowerml	DESIGNED -	REVISED - 11/06	<b>STATE OF ILLINOIS DEPARTMENT OF TRANSPORTATION</b>	<b>PAVEMENT MARKING AND MARKERS (RURAL &amp; URBAN APPLICATIONS)</b>			F.A.P. RTE.	SECTION	COUNTY	TOTAL SHEETS	SHEET NO.
ct:\pw\work\PWIDOT\BOWERML\dms85036\70234\deta1.s.dgn		DRAWN -	REVISED - 09/2009 - KJT					749	120RS-3	*	55	44
		CHECKED -	REVISED -					CONTRACT NO. 70234				
		DATE -	REVISED -					FED. ROAD DIST. NO. ILLINOIS FED. AID PROJECT				
PLOT SCALE = 40.0000' / IN.				SCALE: N/A	SHEET NO. 2 OF 4 SHEETS	STA.	TO STA.					