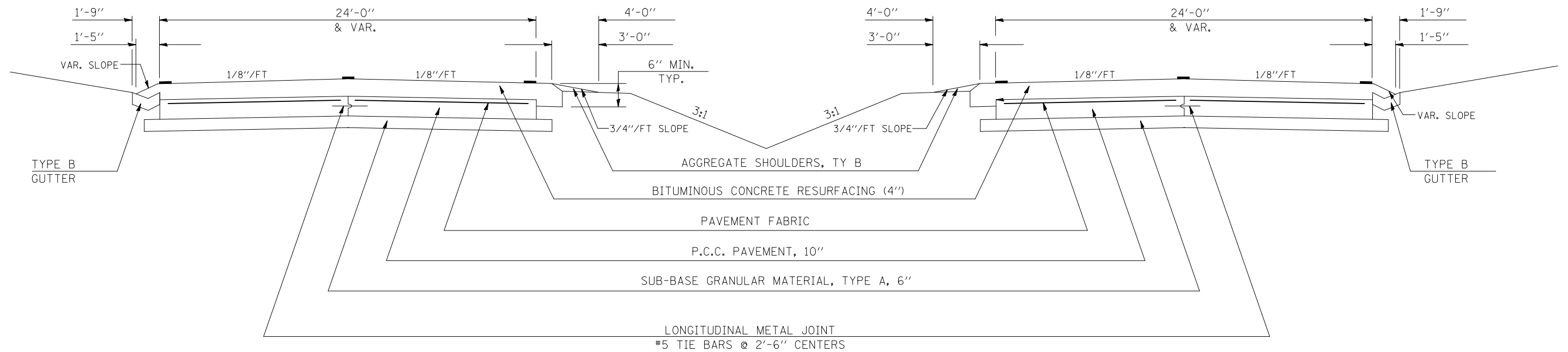


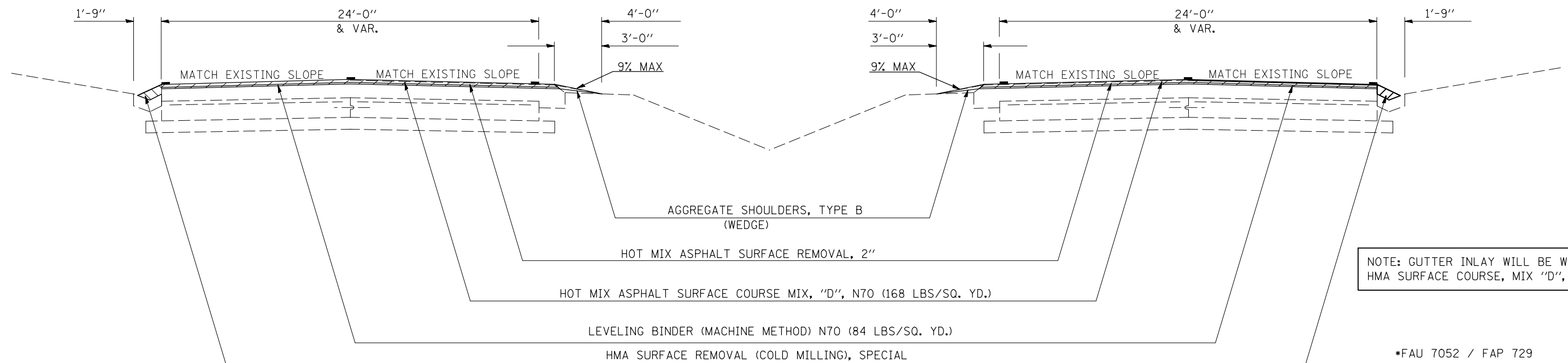
# EXISTING TYPICAL CROSS SECTION

STATION TO STATION  
515+87 TO 525+63



# 12 PROPOSED TYPICAL CROSS SECTION

STATION TO STATION  
⑩ 515+87 TO 525+63 ⑩



NOTE: GUTTER INLAY WILL BE WITH HMA SURFACE COURSE, MIX "D", N70

\*FAU 7052 / FAP 729

FILE NAME =	USER NAME = bucklesjj	DESIGNED - RLA	REVISED -
ct:\pw\work\PWIDOT\BUCKLESJJ\d0132727.D	70315-sht-typ001.dgn	DRAWN - RLA	REVISED -
	PLOT SCALE = 40.0000' / IN.	CHECKED - JMS	REVISED -
	PLOT DATE = 12/7/2009	DATE - 7/2/2009	REVISED -

STATE OF ILLINOIS  
DEPARTMENT OF TRANSPORTATION

EXISTING & PROPOSED TYPICAL  
CROSS-SECTIONS

SCALE: SHEET NO. 12 OF 19 SHEETS STA. TO STA.

F.A. RTE.	SECTION	COUNTY	TOTAL SHEETS	SHEET NO.
*	(36X,36X-1,34Z-3)RS-1	VERMILION	58	19
CONTRACT NO. 70315				
ILLINOIS FED. AID PROJECT				