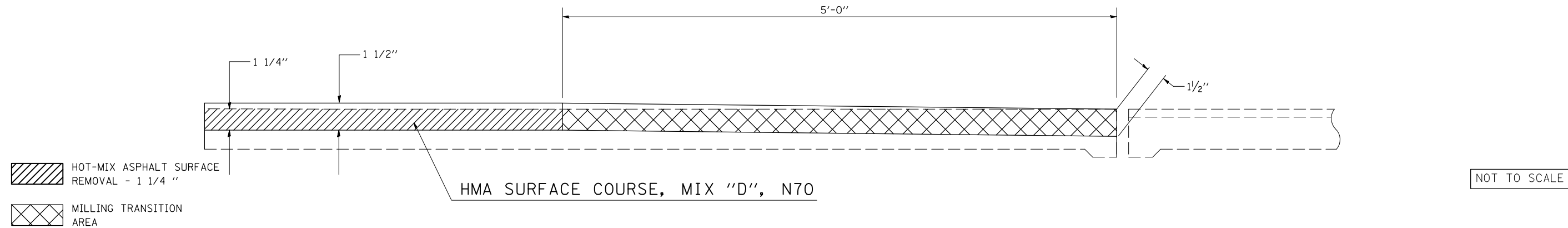


## DETAIL FOR MILLING TRANSITION AT S.N. 092-0051

STA. 408+60.06 TO STA. 408+65.06  
 STA. 410+89.34 TO STA. 410+94.34

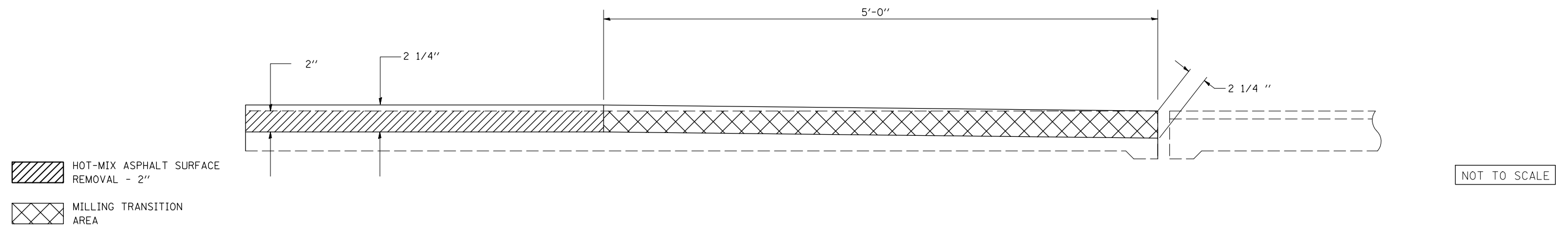
NOTE:  
 AREA OF MILLING TRANSITION SHALL BE INCLUDED IN CONTRACT UNIT PRICE FOR THE HOT-MIX ASPHALT SURFACE REMOVAL - 1 1/4 ". NO ADDITIONAL COMPENSATION SHALL BE ALLOWED.



## DETAIL FOR MILLING TRANSITION AT S.N. 092-0053

STA. 613+35.50 TO STA. 613+40.50

NOTE:  
 AREA OF MILLING TRANSITION SHALL BE INCLUDED IN CONTRACT UNIT PRICE FOR THE HOT-MIX ASPHALT SURFACE REMOVAL, 2". NO ADDITIONAL COMPENSATION SHALL BE ALLOWED.



\*FAU 7052 / FAP 729

FILE NAME =	USER NAME = bucklesjj	DESIGNED - RLA	REVISED -	<b>STATE OF ILLINOIS DEPARTMENT OF TRANSPORTATION</b>	MILLING TRANSITION DETAIL	F.A. RTE.	SECTION	COUNTY	TOTAL SHEETS	SHEET NO.
ct:\pw\work\p\dot\bucklesjj\0132727\0570315-sht-details.dgn		DRAWN - RLA	REVISED -			*	(36X,36X-1,34Z-3)RS-1	VERMILION	58	49
	PLOT SCALE = 40.0000 ' / IN.	CHECKED - JMS	REVISED -		SCALE:					
	PLOT DATE = 12/7/2009	DATE - 7/7/2009	REVISED -		SHEET NO. 1 OF 3 SHEETS	STA.				TO STA.
										ILLINOIS FED. AID PROJECT
										CONTRACT NO. 70315