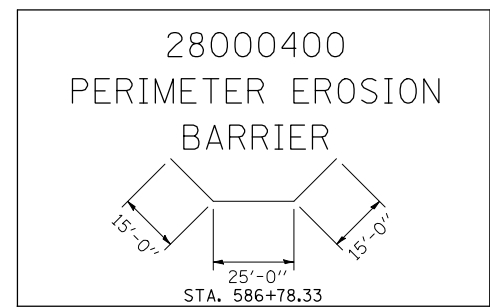
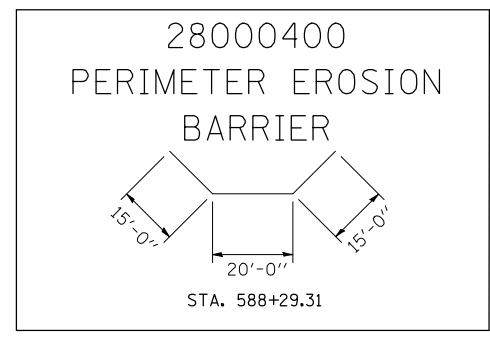
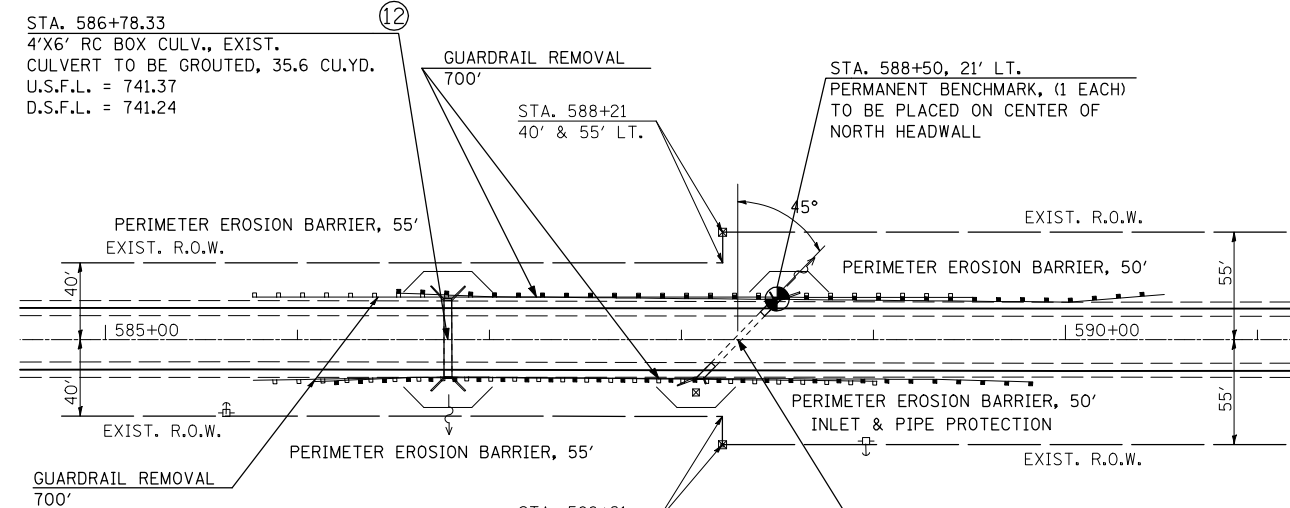


SEC. 32 - T 22 N - R 4 E - 3RD PM



TRAFFIC BARRIER TERMINAL, TY. 1 (SPL)(TANGENT)
 STA. 586+06.5 TO STA. 586+56.5 (RT)
 STA. 589+41.0 TO STA. 589+91.0 (RT)
 STA. 586+66.5 TO STA. 587+16.5 (LT)
 STA. 590+01.5 TO STA. 590+51.5 (LT)

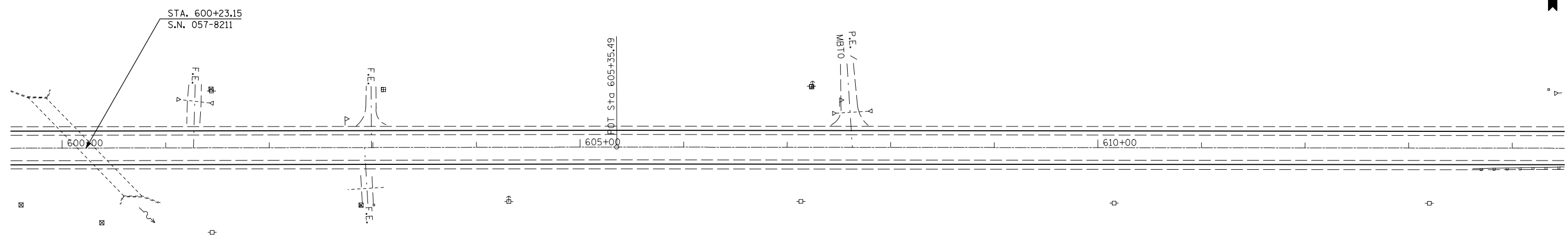


STA. 588+21
 40' & 55' LT.

STA. 588+29.31
 3'X2' RC BOX CULV., EXIST.
 SKEW = 45° LEFT FORWARD
 U.S.F.L. = 743.44
 D.S.F.L. = 742.99

SEC. 5 - T 21 N - R 4 E - 3RD PM

SEC. 33 - T 22 N - R 4 E - 3RD PM



SEC. 4 - T 21 N - R 4 E - 3RD PM

FILE NAME =	USER NAME = bucklesjj	DESIGNED -	REVISED -	STATE OF ILLINOIS DEPARTMENT OF TRANSPORTATION	PLAN SHEET			F.A.P. RTE.	SECTION	COUNTY	TOTAL SHEETS	SHEET NO.
ct:\pw\work\p\dot\bucklesjj\d0170848\0570507-sh1-plan.dgn	PLOT SCALE = 100.0000' / IN.	DRAWN -	REVISED -					315	•	McLean	115	44
	PLOT DATE = 12/9/2009	CHECKED -	REVISED -		SCALE: SHEET NO. OF SHEETS STA. TO STA.			•(101,102X)R,RS-2 & 55RS-PRK LN CONTRACT NO. 70507				
		DATE -	REVISED -							ILLINOIS FED. AID PROJECT		