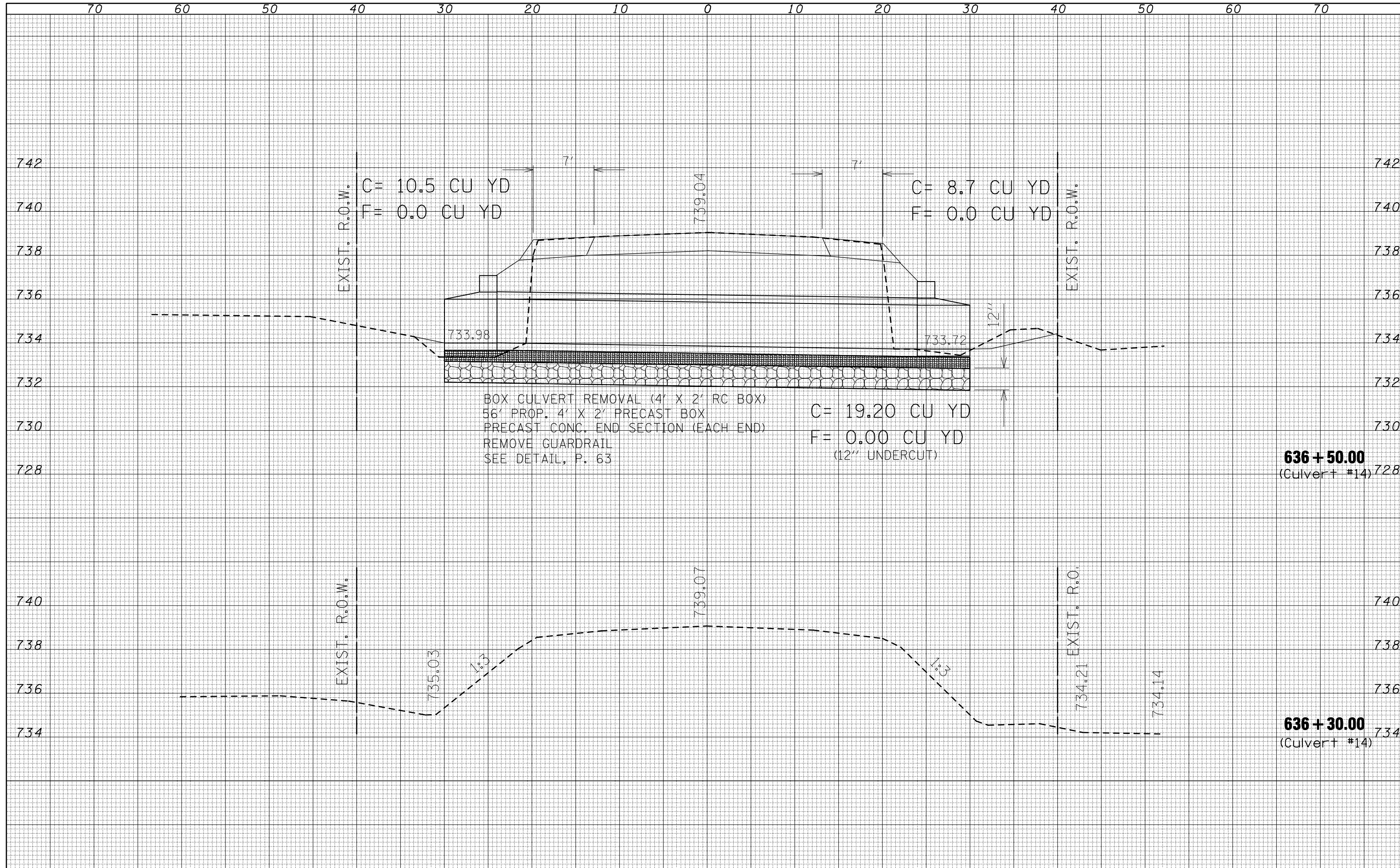


DATE	
BY	
SURVEYED	
PLOTTED	
TEMPLATE	
AREAS	
CHECKED	
FINL	
SURVEY	
NOTE BOOK	
NO.	

DATE	
BY	
SURVEYED	
PLOTTED	
TEMPLATE	
AREAS	
CHECKED	
ORIGIAL	
SURVEY	
NOTE BOOK	
NO.	



EXIST. R.O.W.  
 C = 10.5 CU YD  
 F = 0.0 CU YD

EXIST. R.O.W.  
 C = 8.7 CU YD  
 F = 0.0 CU YD

BOX CULVERT REMOVAL (4' X 2' RC BOX)  
 56' PROP. 4' X 2' PRECAST BOX  
 PRECAST CONC. END SECTION (EACH END)  
 REMOVE GUARDRAIL  
 SEE DETAIL, P. 63  
 C = 19.20 CU YD  
 F = 0.00 CU YD  
 (12" UNDERCUT)

**636 + 50.00**  
 (Culvert #14)

**636 + 30.00**  
 (Culvert #14)

FILE NAME =  
 c:\pw\work\PWIDOT\BUCKLESJJ\d0170848\0570507

USER NAME = bucklesjj  
 ht-culvert.xsdgn  
 PLOT SCALE = 10.0000' / IN.  
 PLOT DATE = 12/9/2009

DESIGNED -  
 DRAWN -  
 CHECKED -  
 DATE -

REVISED -  
 REVISED -  
 REVISED -  
 REVISED -

**STATE OF ILLINOIS  
 DEPARTMENT OF TRANSPORTATION**

SCALE: SHEET NO. OF SHEETS STA. 636+30.00 TO STA. 636+50.00

F.A.P. RTE.	SECTION	COUNTY	TOTAL SHEETS	SHEET NO.
315	*	McLean	115	114
•(101,102)R,RS-2 & 55RS-PRK LN			CONTRACT NO. 70507	
ILLINOIS FED. AID PROJECT				