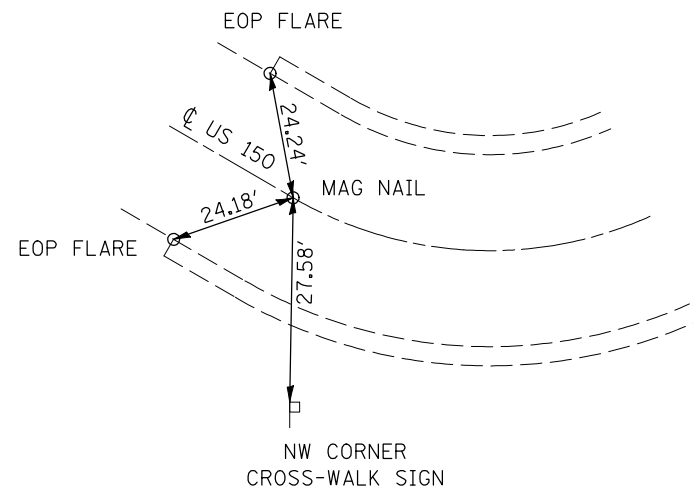
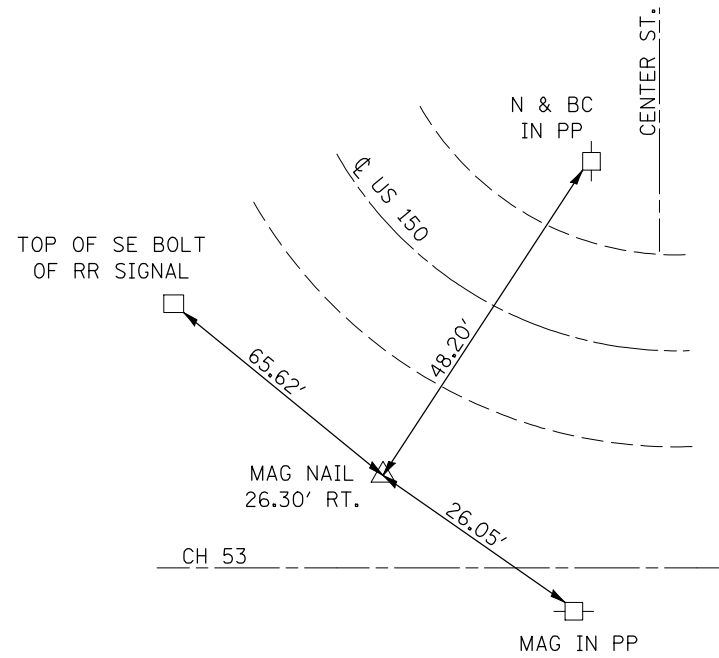


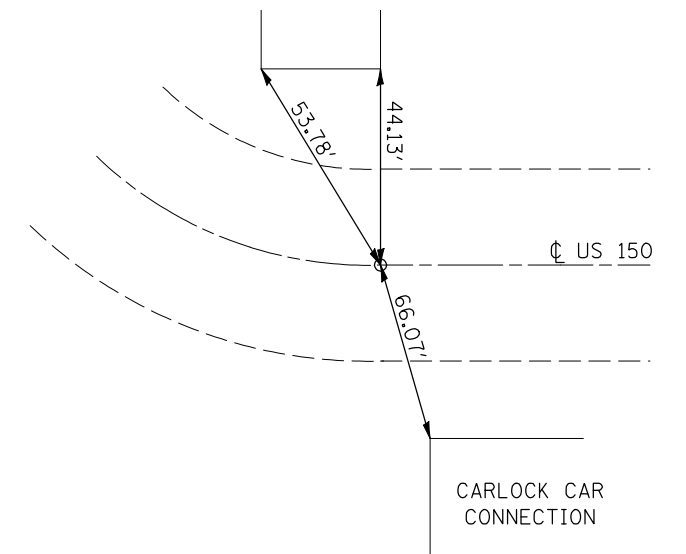
**P.C.**  
**STA. 300 + 89.81**



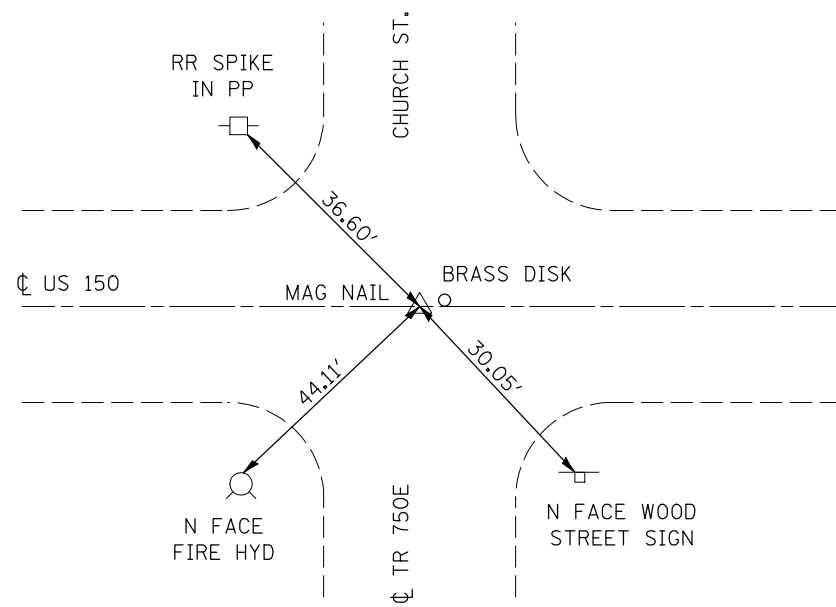
**P.I./STA. EQUATION**  
**STA. 302 + 32.18 BK**  
**STA. 302 + 39.63 AH**



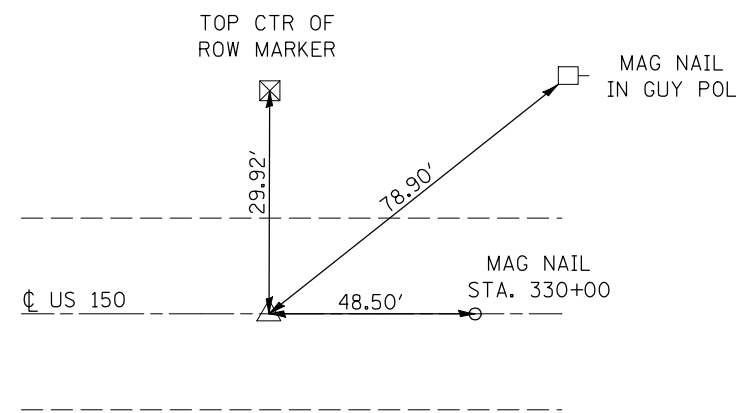
**P.T./STA. EQUATION**  
**STA. 303 + 61.67 BK**  
**STA. 303 + 81.96 AH**



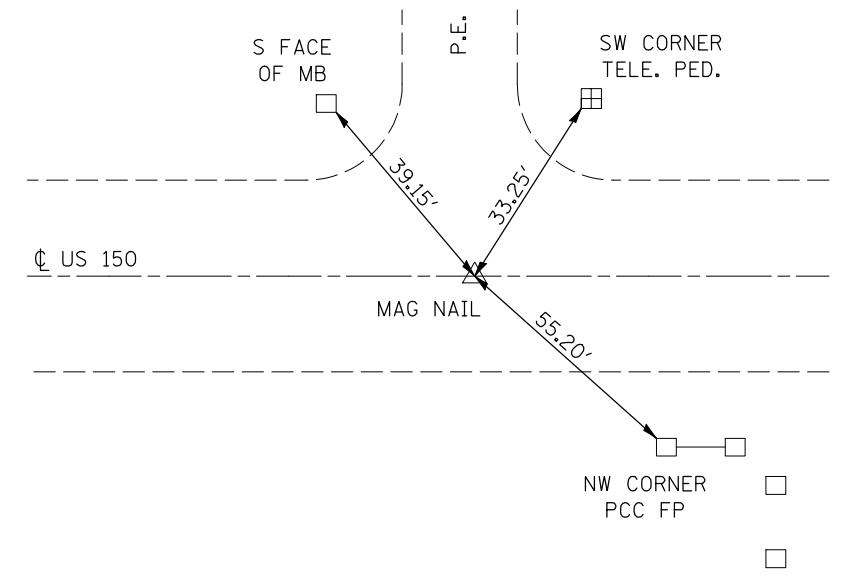
**P.I.**  
**STA. 316 + 12.60**



**P.I.**  
**STA. 329 + 51.48**



**P.I.**  
**STA. 342 + 01.05**



FILE NAME =	USER NAME = piersonbr	DESIGNED -	REVISED -
ct:\pw\work\PIWIDOT\PIERSONBR\d0115438\05	0523- sht- ATB.dgn	DRAWN -	REVISED -
	PLOT SCALE = 40.0000' / IN.	CHECKED -	REVISED -
	PLOT DATE = 12/4/2009	DATE -	REVISED -

**STATE OF ILLINOIS**  
**DEPARTMENT OF TRANSPORTATION**

**TIE POINTS & BENCHMARKS**

SCALE: SHEET NO. OF SHEETS STA. TO STA.

F.A.S. RTE.	SECTION	COUNTY	TOTAL SHEETS	SHEET NO.
2466	(9,10,11)RS-3	McLean	47	17
CONTRACT NO. 70523			ILLINOIS FED. AID PROJECT	