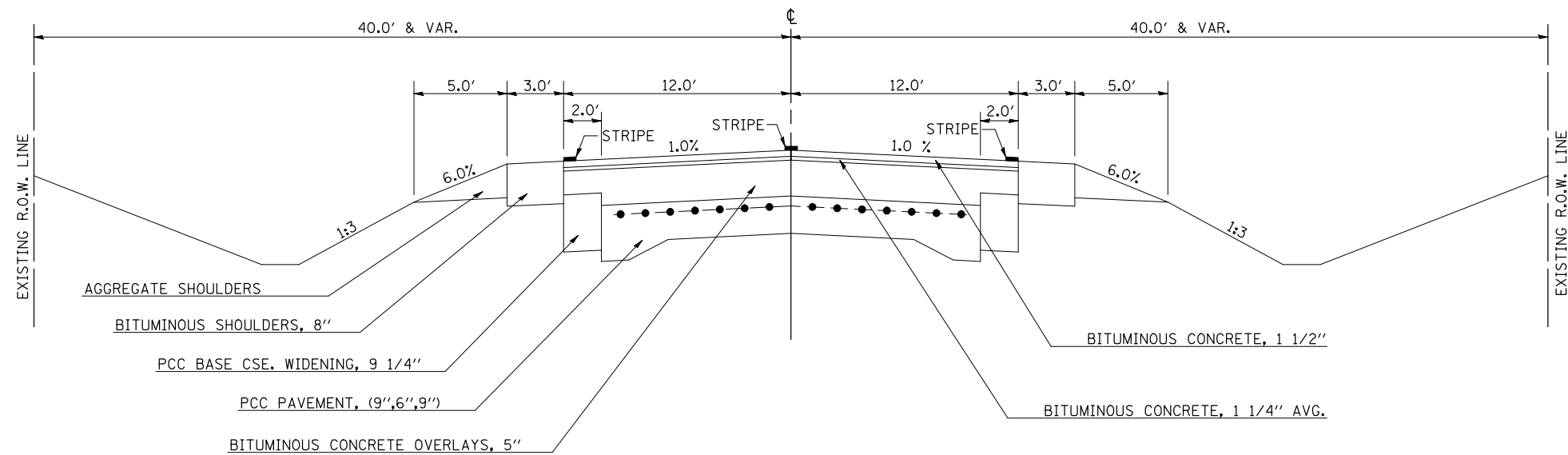
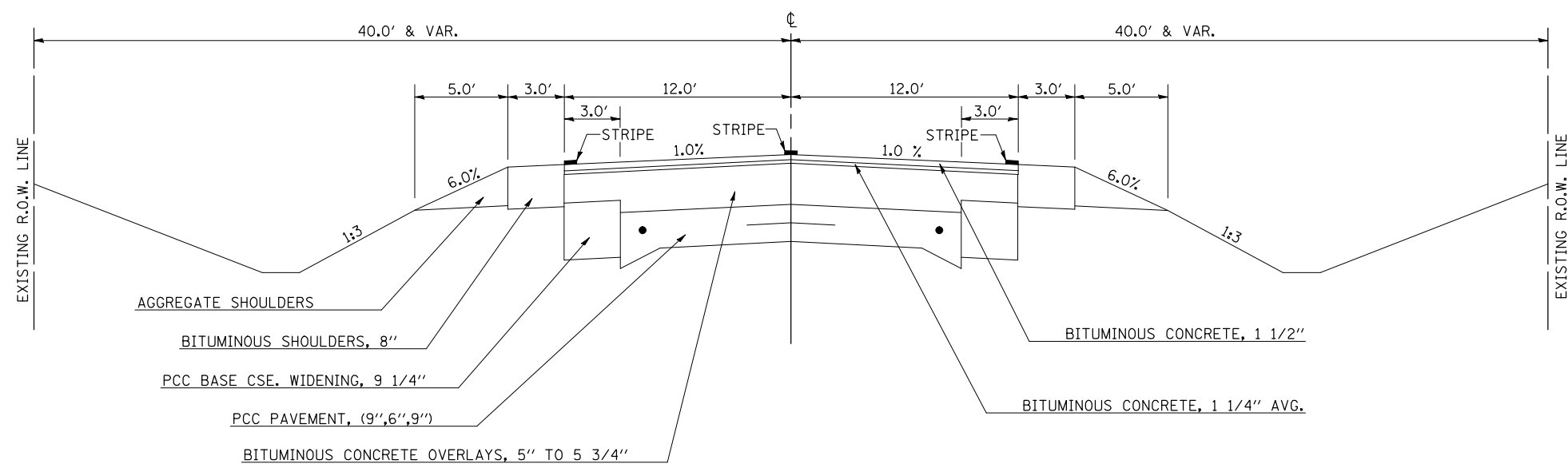


EXISTING TYPICAL CROSS-SECTION
STATION 773+04.63 TO STATION 782+03.58



EXISTING TYPICAL CROSS-SECTION
STATION 782+03.58 TO STATION 932+29.05

PAVING OMISSIONS:
SN 021-0052 STA. 828+74.00 TO STA. 830+56.00



• DOUGLAS & EDGAR

FILE NAME =	USER NAME = shererjm	DESIGNED - SCJ	REVISED -	STATE OF ILLINOIS DEPARTMENT OF TRANSPORTATION	EXISTING TYPICAL CROSS SECTIONS			F.A.P. RTE.	SECTION	COUNTY	TOTAL SHEETS	SHEET NO.
ct:\pwork\pwork\WIDOT\SHERERJM\0115071\0570768-sht-typic01.dgn		DRAWN - JDC	REVISED -		323	(145,146(RS-3 & 147RS-5)	*	27	8			
PLOT SCALE = 40.0000' / IN.		CHECKED -	REVISED -		CONTRACT NO. 70760							
PLOT DATE = 11/27/2009		DATE - 01/06/09	REVISED -		SCALE: N/A	SHEET NO. 4 OF 4 SHEETS	STA. TO STA.	FED. ROAD DIST. NO.	ILLINOIS FED. AID PROJECT			