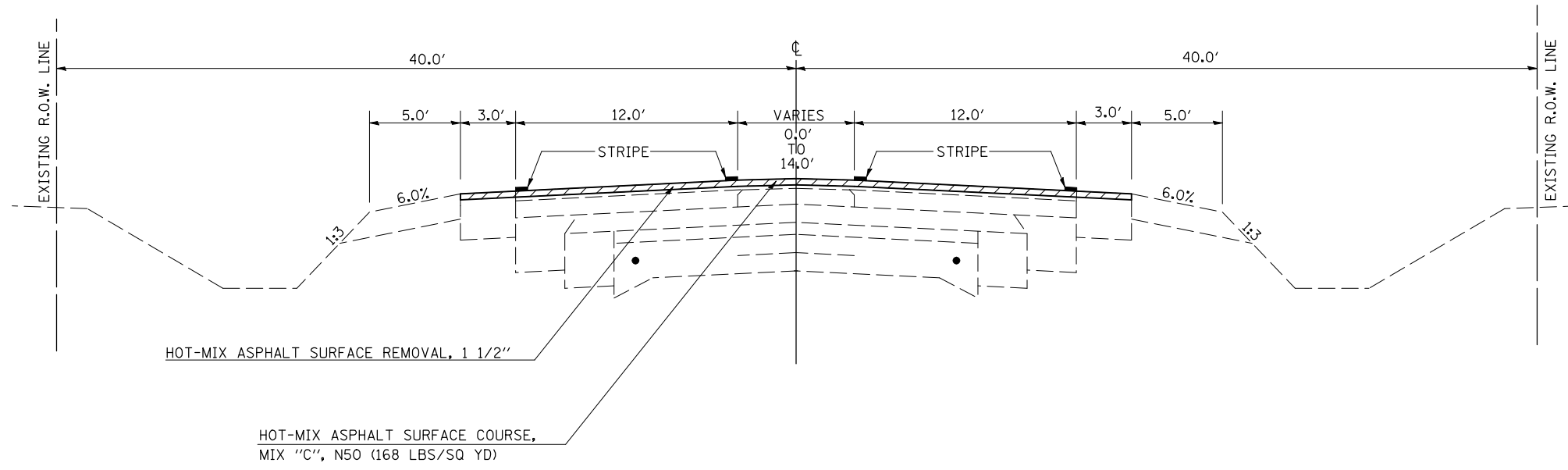
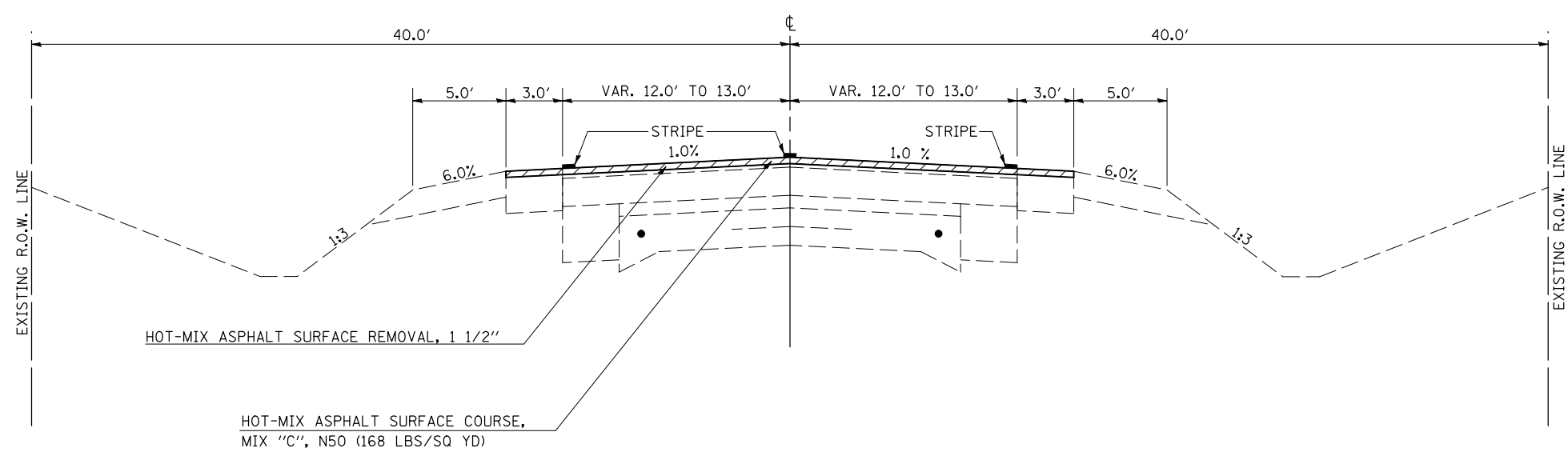


① PROPOSED TYPICAL CROSS-SECTION
STATION 268+13.80 TO STATION 282+74.43 ②



② PROPOSED TYPICAL CROSS-SECTION
① STATION 282+74.43 TO STATION 309+08.95 ③



• DOUGLAS & EDGAR

| | | | |
|--|----------------------|-----------------|-----------|
| FILE NAME = | USER NAME = shererjm | DESIGNED - SCJ | REVISED - |
| ct:\pwork\pwork\WIDOT\SHERERJM\0115071\0570768-sht-typic01.dgn | | DRAWN - JDC | REVISED - |
| PLOT SCALE = 40.0000' / IN. | | CHECKED - | REVISED - |
| PLOT DATE = 11/27/2009 | | DATE - 01/06/09 | REVISED - |

**STATE OF ILLINOIS
DEPARTMENT OF TRANSPORTATION**

PROPOSED TYPICAL CROSS SECTIONS
SCALE: N/A SHEET NO. 1 OF 4 SHEETS STA. TO STA.

| F.A.P. RTE. | SECTION | COUNTY | TOTAL SHEETS | SHEET NO. |
|---|--------------------------|--------|--------------------|-----------|
| 323 | (145,146(RS-3 & 147RS-5) | * | 27 | 9 |
| FED. ROAD DIST. NO. ILLINOIS FED. AID PROJECT | | | CONTRACT NO. 70760 | |