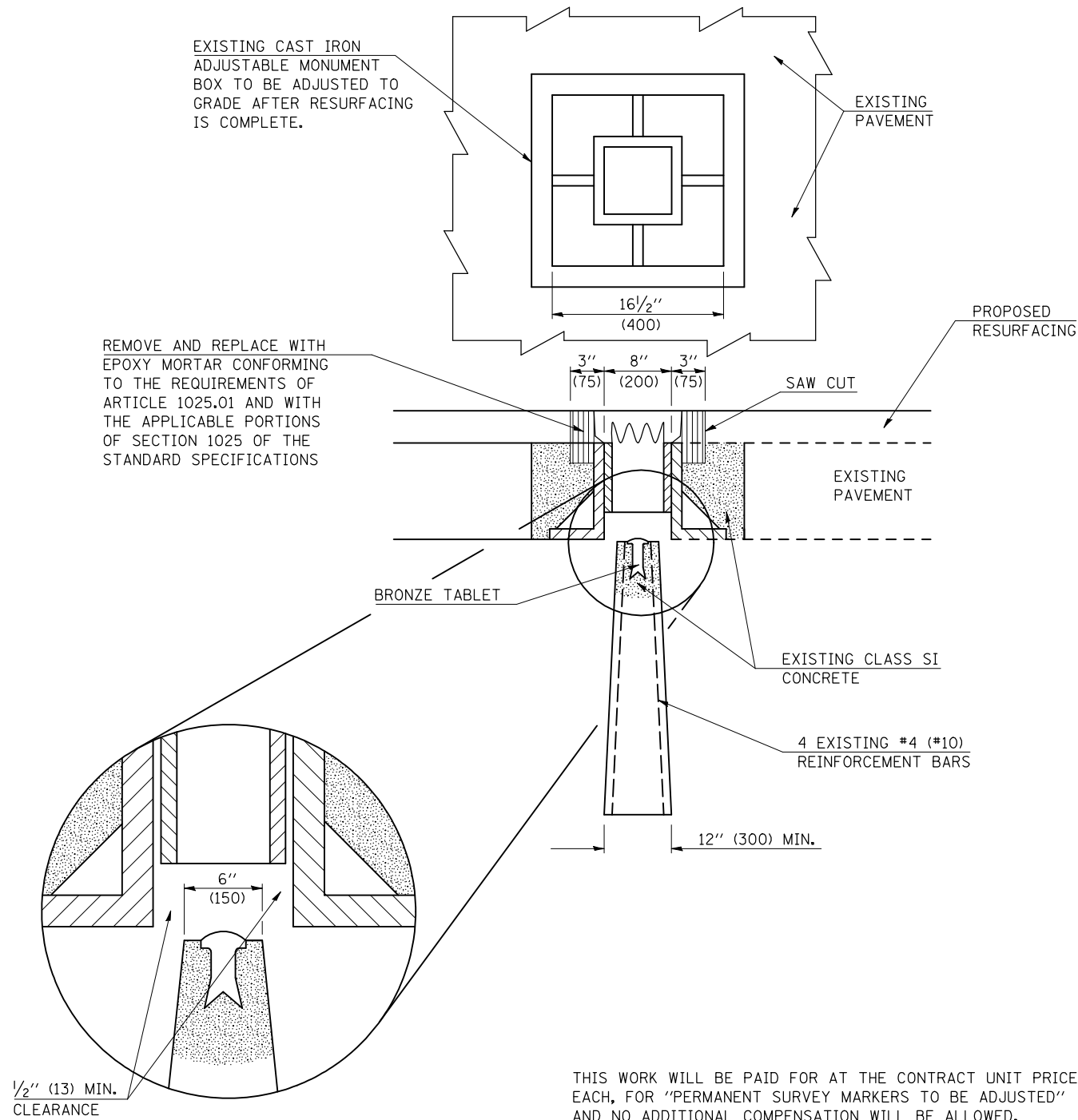


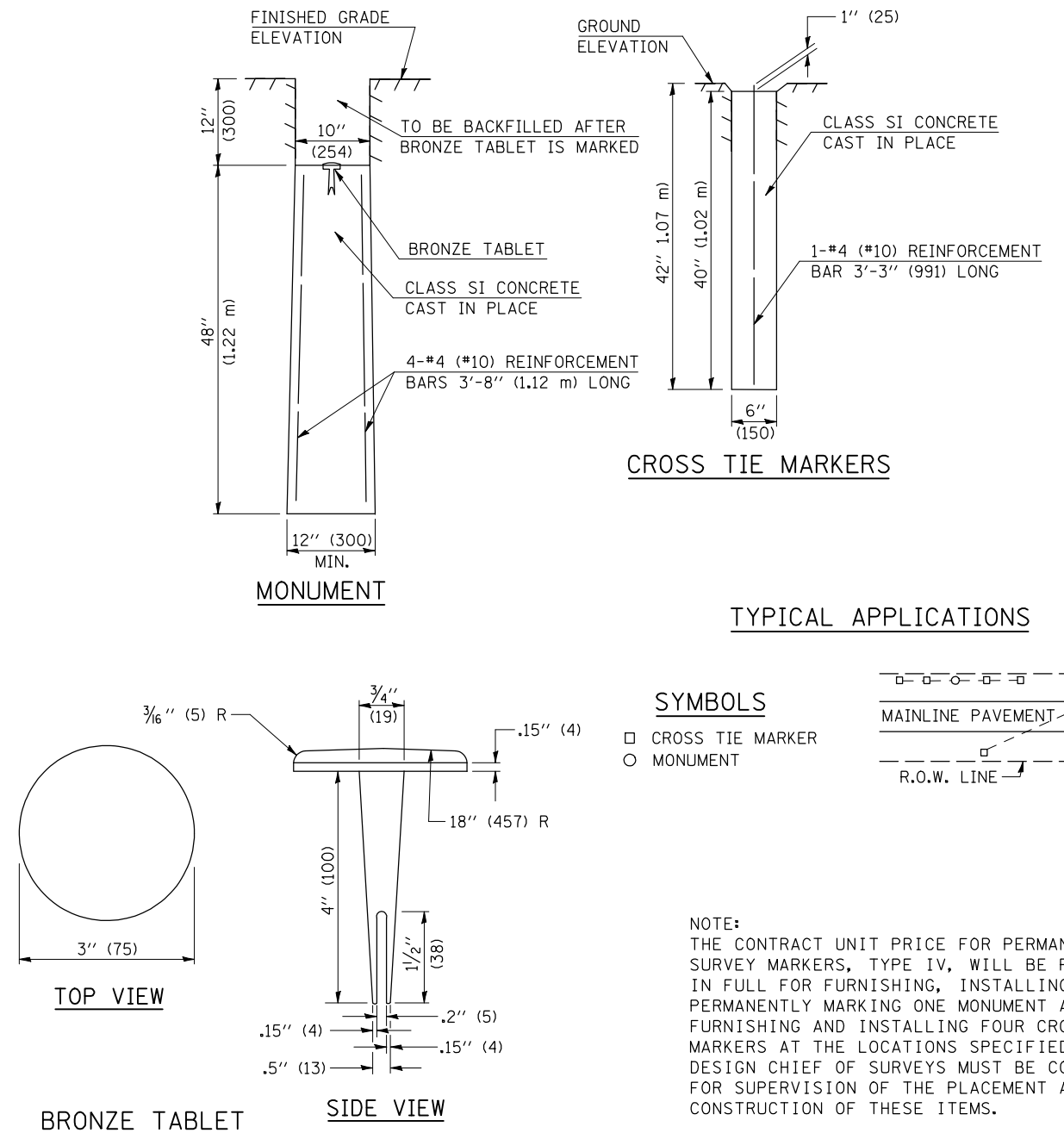
66700110 – PERMANENT SURVEY MARKERS TO BE ADJUSTED

TO BE INSTALLED FOR PRESERVING EXISTING CAST IRON PERMANENT SURVEY MARKERS, TYPE III



66700505 – PERMANENT SURVEY MARKERS, TYPE IV

TO BE INSTALLED IN PAVEMENT OR TURF AREAS WITHIN THE RIGHT-OF-WAY FOR PRESERVING LAND SURVEY MONUMENTS (SECTION OR SUBSECTION CORNERS) UNDER DIRECTION OF THE CHIEF OF SURVEYS



Note: All dimensions are in INCHES (millimeters) unless otherwise shown.
*DOUGLAS & EDGAR

DISTRICT 5 DETAIL NO. 66700AAA

FILE NAME =	USER NAME = shererjm	DESIGNED -	REVISED - 11/06
ct:\pw\work\PWIDOT\SHERERJM\d0115071\707600details.dgn		DRAWN -	REVISED -
		CHECKED -	REVISED -
		DATE -	REVISED -

STATE OF ILLINOIS
DEPARTMENT OF TRANSPORTATION

PERMANENT SURVEY MARKERS (TYPE IV AND ADJUSTED)

SCALE: SHEET NO. OF SHEETS STA. TO STA.

F.A.P. RTE.	SECTION	COUNTY	TOTAL SHEETS	SHEET NO.
323	(145,146)RS-3 & 147RS-5)	*	27	25
* DOUGLAS & EDGAR			CONTRACT NO.	
FED. ROAD DIST. NO.	ILLINOIS	FED. AID PROJECT		