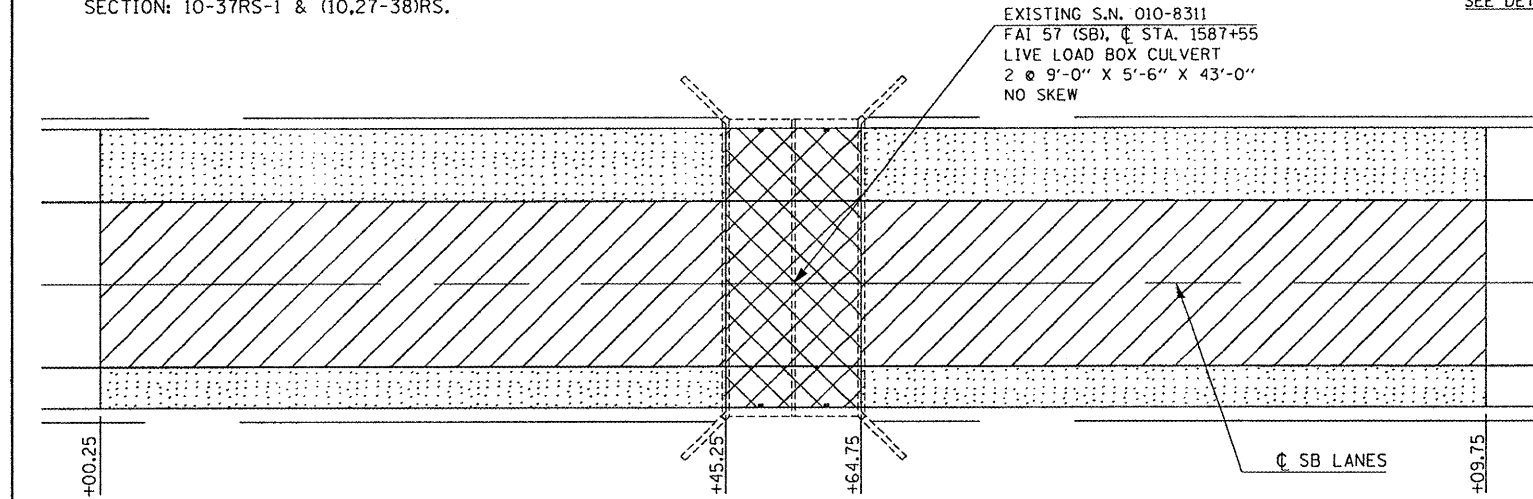


THE EXISTING STRUCTURES, 010-8311 & 010-8312 WERE BUILT IN 1967 BY THE STATE OF ILLINOIS AS FAI RTE. 57, SECTION 10-38HB AT STATION 1587+55 IN CHAMPAIGN COUNTY.

THE STRUCTURES WERE IMPROVED WITH A 2" BITUMINOUS WEARING SURFACE AND WATERPROOFING MEMBRANE SYSTEM IN 1977 WITH FAI RTE. 57, SECTION: DISTRICT 5 BRIDGE WATERPROOFING 1977-1. THE STRUCTURES RECEIVED AN ADDITIONAL 1 1/2" OF BITUMINOUS OVERLAY IN 1999 WITH FAI RTE. 57, SECTION: 10-37RS-1 & (10,27-38)RS.

GENERAL PLAN S.N. 010-8311 & 010-8312

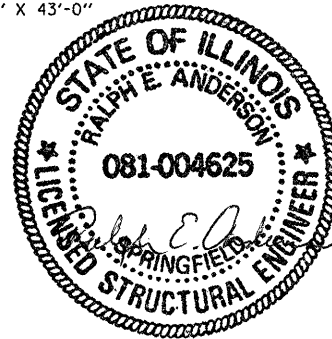


LEGEND

- H.M.A. SURFACE REMOVAL, DECK & PROPOSED 3 1/2" HMA WEARING SURFACE AND SHEET WATERPROOFING MEMBRANE SYSTEM
- MAINLINE COLD MILLING TRANSITION, 2 1/4" - 3 1/2" *
- SHOULDER COLD MILLING TRANSITION, 1/4" - 1 1/2" (TO BE INCLUDED WITH MAINLINE MILLING QTY.) *

SCOPE OF WORK

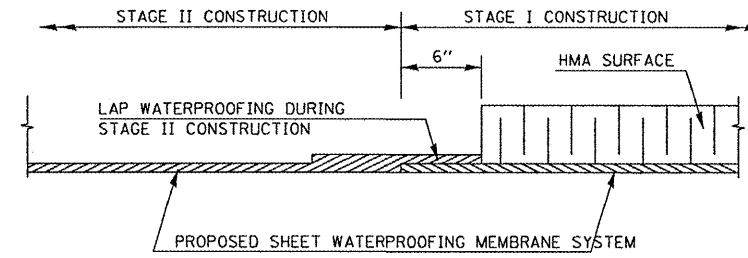
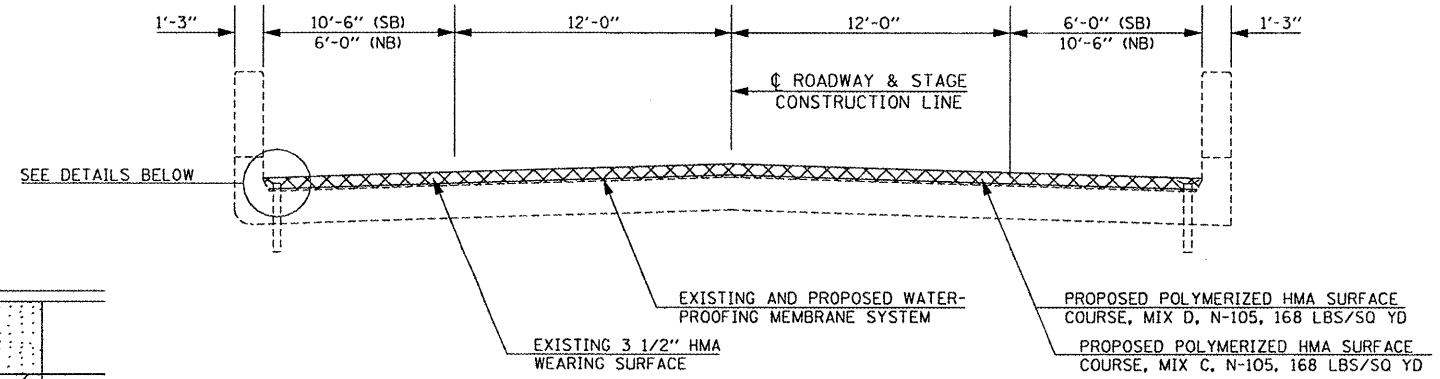
1. REMOVAL OF THE EXISTING HMA WEARING SURFACE AND WATERPROOFING MEMBRANE SYSTEM.
 2. PLACE PROPOSED 3 1/2" HMA WEARING SURFACE AND SHEET WATER-PROOFING MEMBRANE SYSTEM.
- * BILL OF MATERIALS INCLUDES STRUCTURE QUANTITIES FROM BACK TO BACK OF STRUCTURE ONLY. SEE ROADWAY PLANS FOR OTHER QUANTITIES.



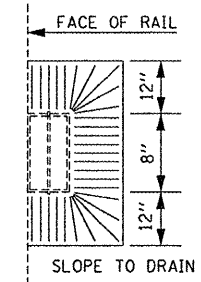
EXPIRES 11-30-2010

STATE OF ILLINOIS
DEPARTMENT OF TRANSPORTATION

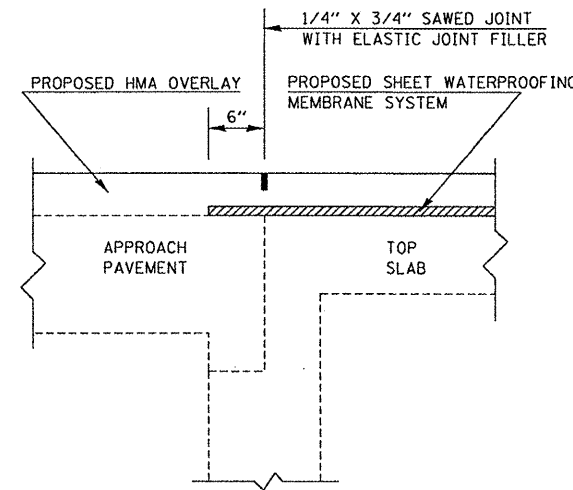
TYPICAL DECK CROSS SECTION (LOOKING UP-STATION)



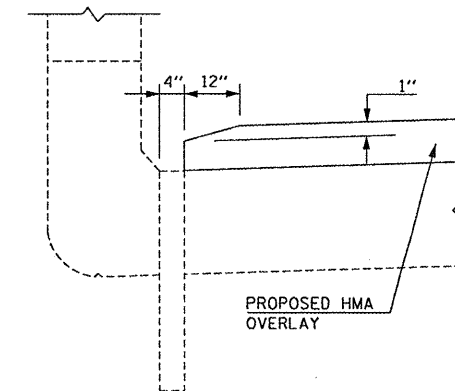
WATERPROOFING TREATMENT AT STAGE CONSTRUCTION



PLAN VIEW AT DRAIN



DETAIL OF SAWED JOINT



SECTION AT DRAIN

* BILL OF MATERIALS

ITEM	UNITS	TOTAL
HMA SURFACE REMOVAL, DECK	SO YD	175.5
SHEET WATERPROOFING MEMBRANE SYSTEM	SO YD	175.5
POLYMERIZED HMA SURFACE COURSE, MIX C, N-105	TON	15.0
POLYMERIZED HMA SURFACE COURSE, MIX D, N-105	TON	15.0

GENERAL NOTES

PLAN DIMENSIONS AND DETAILS RELATIVE TO EXISTING PLANS ARE SUBJECT TO NOMINAL CONSTRUCTION VARIATIONS. THE CONTRACTOR SHALL FIELD VERIFY EXISTING DIMENSIONS AND DETAILS AFFECTING NEW CONSTRUCTION AND MAKE NECESSARY APPROVED ADJUSTMENTS PRIOR TO CONSTRUCTION OR ORDERING OF MATERIALS. SUCH VARIATIONS SHALL NOT BE CAUSE FOR ADDITIONAL COMPENSATION FOR A CHANGE IN SCOPE OF WORK, HOWEVER, THE CONTRACTOR WILL BE PAID FOR THE QUANTITY ACTUALLY FURNISHED AT THE UNIT PRICE BID FOR THE WORK.

FILE NAME =	USER NAME = #USER#	DESIGNED - GMS	REVISED -
*FILE#		DRAWN - GMS	REVISED -
	PLOT SCALE = #SCALE#	CHECKED -	REVISED -
	PLOT DATE = #DATE#	DATE -	REVISED -

SCALE:		SHEET NO. OF SHEETS STA. TO STA.		GENERAL PLAN STRUCTURES 010-8311 & 010-8312		F.A.I. RTE. 57	SECTION 10-37RS-2&(10,27-38)RS-1	COUNTY CHAMPAIGN	TOTAL SHEETS 41	SHEET NO. 30
						FED. ROAD DIST. NO. ILLINOIS FED. AID PROJECT		CONTRACT NO. 70766		