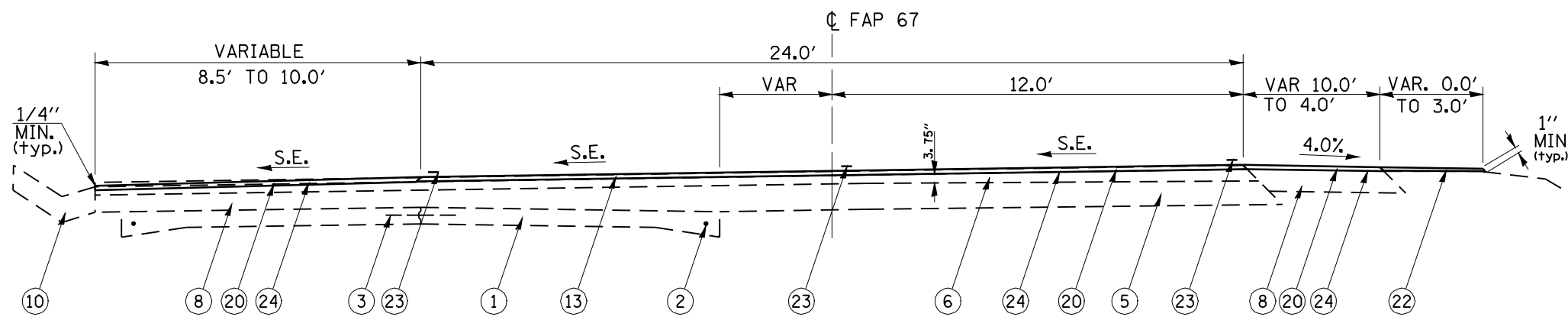


# LEGEND

- ① EXIST. P.C.C. PAVEMENT (9''-6''-9'')
- ② EXIST. 3/4'' DIA. BAR
- ③ EXIST. 1/2'' DIA. BAR
- ④ EXIST. P.C.C. WIDENING 8''
- ⑤ EXIST. BITUMINOUS WIDENING OR BASE COURSE 9''
- ⑥ EXIST. BITUMINOUS SURFACE  
(SEE TYPICAL SECTIONS FOR THICKNESS)
- ⑦ EXIST. BITUMINOUS SHOULDERS, 6''
- ⑧ EXIST. BITUMINOUS SHOULDERS, 8''
- ⑨ EXIST. AGGREGATE SHOULDERS
- ⑩ EXIST. CONCRETE GUTTER
- ⑪ EXIST. LEVELING BINDER (MACHINE METHOD)  
MIX. C, TYPE 2, 3/4''
- ⑫ EXIST. LEVELING BINDER (MACHINE METHOD)  
MIX. B, TYPE 2, 1-3/4''
- ⑬ EXIST. BITUMINOUS CONCRETE SURFACE COURSE,  
MIX. D, CLASS 1, TYPE 2, 1-1/2''
- ⑭ EXIST. SUB-BASE GRANULAR MATERIAL, TY A, 4''
- ⑮ EXIST. STABILIZED BASE COURSE, 8''
- ⑯ EXIST. BITUMINOUS CONCRETE SURFACE, 3''
- ⑰ EXIST. LEVELING BINDER (MACHINE METHOD)  
TY 2 - VARIABLE DEPTH
- ⑱ EXIST. LEVELING BINDER (MACHINE METHOD)  
TY 2 - 1''
- ⑲ PROP. HOT-MIX ASPHALT SURFACE REMOVAL  
(1/2'' @  $\phi$  & VARIABLE DEPTH)
- ⑳ PROP. HOT-MIX ASPHALT SURFACE COURSE,  
MIX D, N70, 1-1/2''
- ㉑ NOT USED
- ㉒ PROP. AGGREGATE SHOULDERS, TYPE-B
- ㉓ PROP. PAINT PAVEMENT MARKINGS - LINE 5''
- ㉔ PROP. HOT-MIX ASPHALT SURFACE REMOVAL, 1-1/2''
- ㉕ PROP. HOT-MIX ASPHALT SHOULDER REMOVAL AND  
REPLACEMENT,  $\pm$  10''



## TYPICAL CROSS SECTION #11

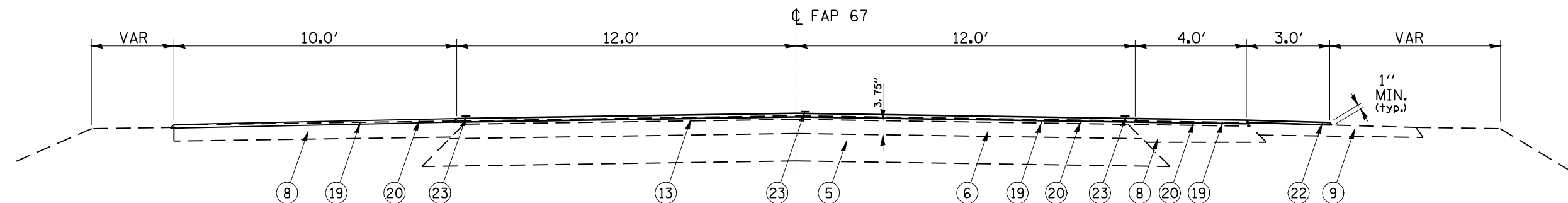
261+27.81 TO 272+58.90

STATION EQUATION:

272+58.90 (BACK) = 272+63.46 (AHEAD)

272+63.46 TO 273+01.45

NOTE:  
EXISTING SUPERELEVATION RATES  
ENCOUNTERED SHALL BE RETAINED.



## TYPICAL CROSS SECTION #12

273+01.45 TO 276+50.00

NOTE:  
HOT-MIX ASPHALT SURFACE REMOVAL  
MILLING TRASITION OF 1-1/2'' TO VARIABLE  
DEPTH, STA. 273+30 TO 273+70 LT & RT

FILE NAME =	USER NAME = laughlinr1	DESIGNED -	REVISED -	<b>STATE OF ILLINOIS DEPARTMENT OF TRANSPORTATION</b>	<b>TYPICAL CROSS SECTIONS</b>			F.A.P. RTE.	SECTION	COUNTY	TOTAL SHEETS	SHEET NO.
er:\pwork\pwork\LAUGHLINRL\dms84394\672C49-ah-t-typico1.dgn		DRAWN -	REVISED -		67	105(RS-6) 106(RS-4)	CASS, SANG.	88	12			
PLOT SCALE = 100.0000' / IN.		CHECKED -	REVISED -		CONTRACT NO. 72C49							
PLOT DATE = Jan-05-2010 09:29:40AM		DATE -	REVISED -		FED. ROAD DIST. NO. ILLINOIS FED. AID PROJECT							
				SCALE:	SHEET NO. 6 OF 7 SHEETS	STA.	TO STA.					