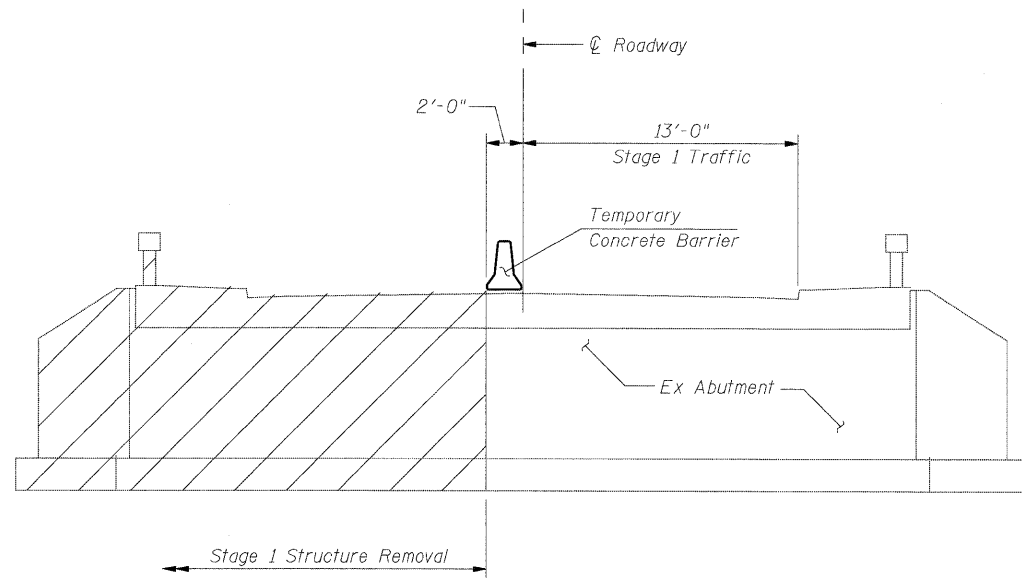
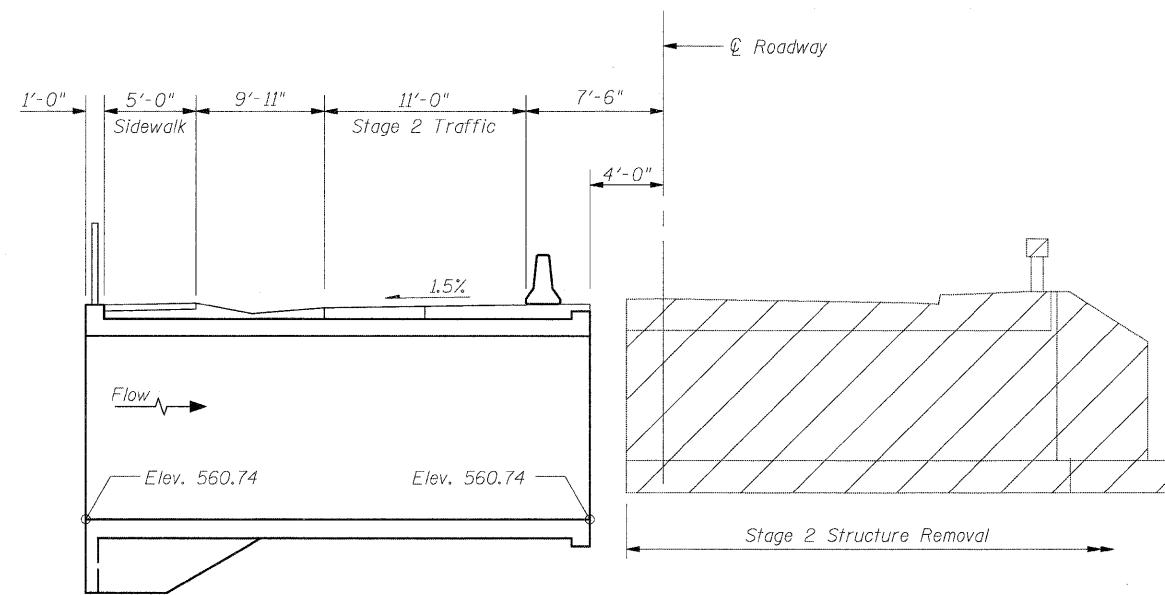


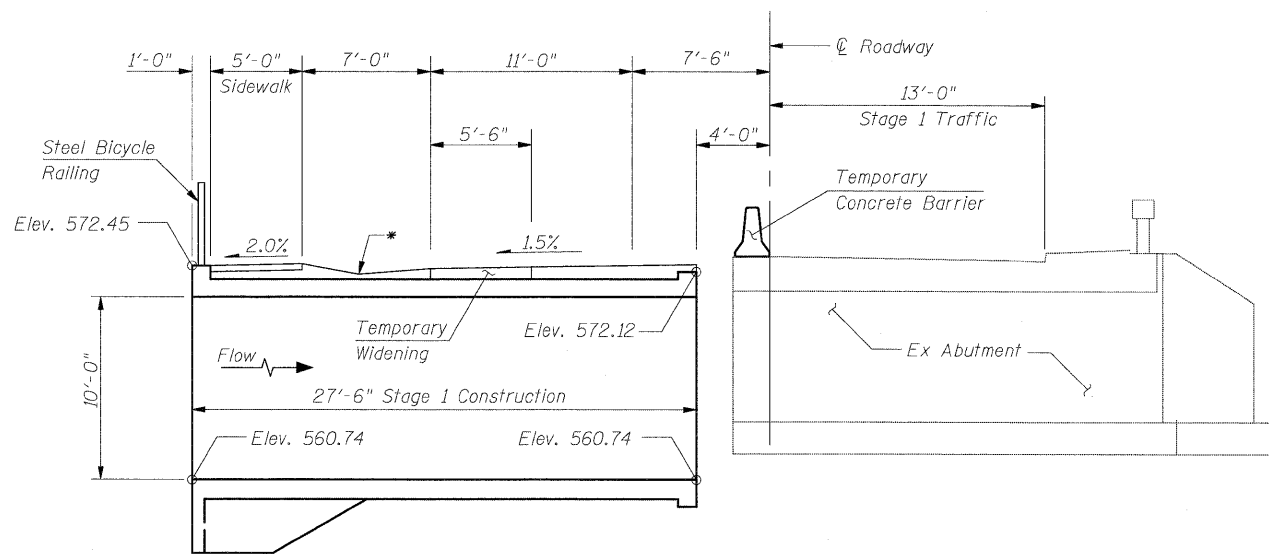
STATE OF ILLINOIS
DEPARTMENT OF TRANSPORTATION



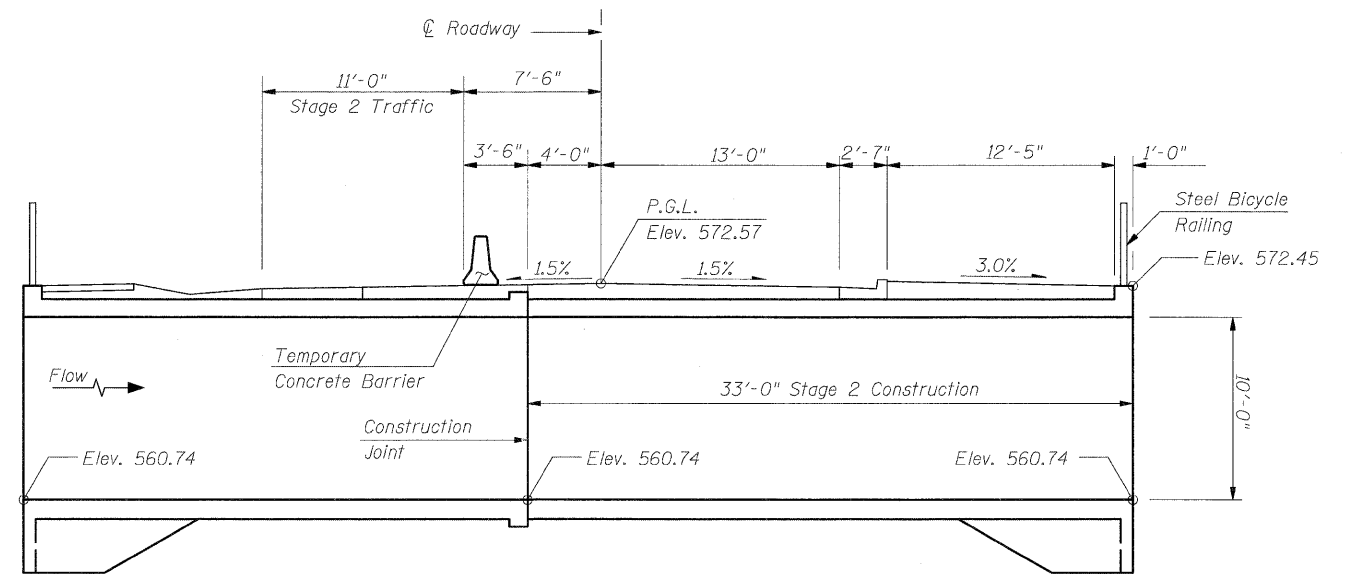
STAGE 1 REMOVAL



STAGE 2 REMOVAL



STAGE 1 CONSTRUCTION



STAGE 2 CONSTRUCTION

STAGE CONSTRUCTION DETAILS
S.N. 026-2019

DESIGNED	SCD
CHECKED	DRB
DRAWN	THW
CHECKED	SCD



IE CONSULTANTS, INC
6420 SOUTH SIXTH STREET
SPRINGFIELD, ILLINOIS 62712
TEL. (217) 529-8027
FAX (217) 529-4543
IESPRINGFIELD@IE-CONSULTANTS.COM
WWW.IE-CONSULTANTS.COM

SHEET NO.	F.A. RTE.	SECTION	COUNTY	TOTAL SHEETS	SHEET NO.
3	*	114B-1(1) & 114B-1(2)	FAYETTE	54	44
* F.A.P. RTE. 750, F.A.S. RTE. 719 CONTRACT NO. 74110					
FED. ROAD DIST. NO.		ILLINOIS FED. AID PROJECT			