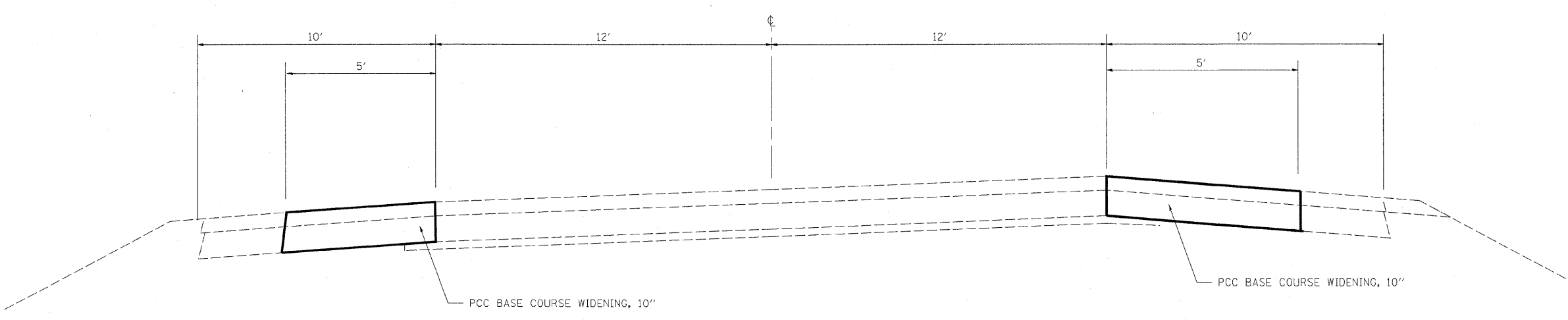


BASE COURSE WIDENING

| | | | | | | | |
|---------------|--------|----|--------|---|------|----|-----|
| Station Left | 502+53 | to | 503+78 | = | 69.5 | SQ | YDS |
| Station Right | 502+53 | to | 503+88 | = | 75.0 | SQ | YDS |
| Station Left | 506+68 | to | 507+93 | = | 69.5 | SQ | YDS |
| Station Right | 506+58 | to | 507+93 | = | 75.0 | SQ | YDS |



| | | | | | | | | | | |
|--|-----------------------|---------------------|---------------------------|---|--------------------------------------|-------------|--------------------------|-----------|--------------|-----------|
| FILE NAME = | USER NAME = steffennk | DESIGNED <i>ADR</i> | REVISED - | STATE OF ILLINOIS DEPARTMENT OF TRANSPORTATION | BASE COURSE WIDENING 025-0083 | F.A.P. RTE. | SECTION | COUNTY | TOTAL SHEETS | SHEET NO. |
| ca:\pvc\work\p\DOT\STEFFENMK\0144324\0 | 74400-shr-plan.dgn | DRAWN <i>ADR</i> | REVISED - | | | 328 | 07 BRIDGE REPAIRS 2010-1 | Effingham | 16 | 5 |
| PLOT SCALE = 20,0000 ' / IN. | CHECKED - | REVISOR - | CONTRACT NO. 74400 | | | | | | | |
| PLOT DATE = 12/23/2009 | DATE <i>12/10/09</i> | REVISOR - | ILLINOIS FED. AID PROJECT | | | | | | | |
| SCALE: | | SHEET NO. OF SHEETS | | STA. | TO STA. | | | | | |