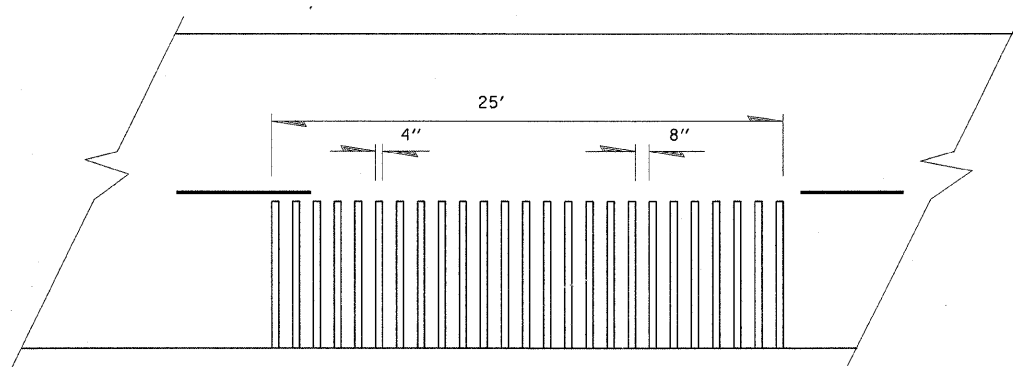
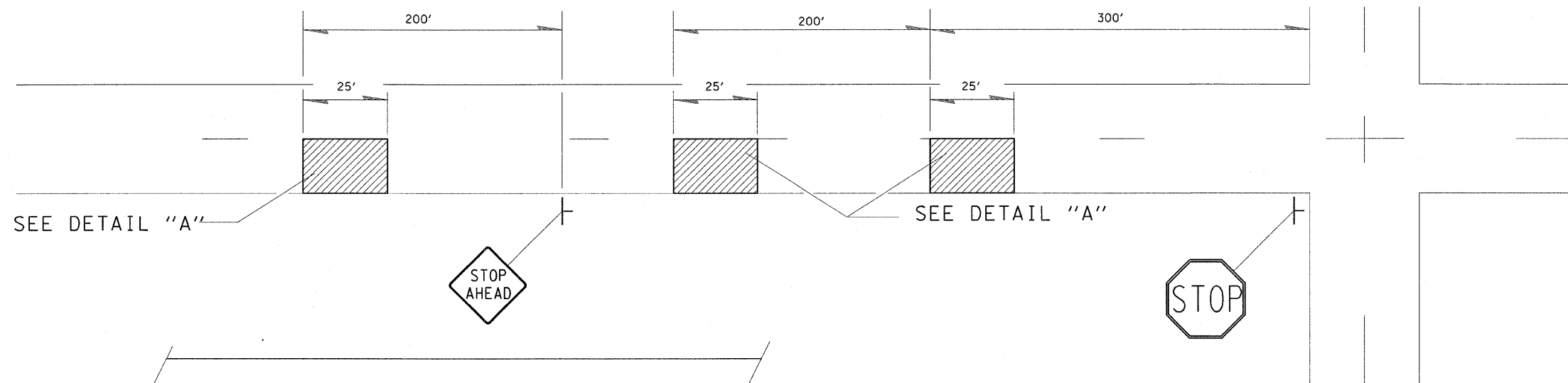
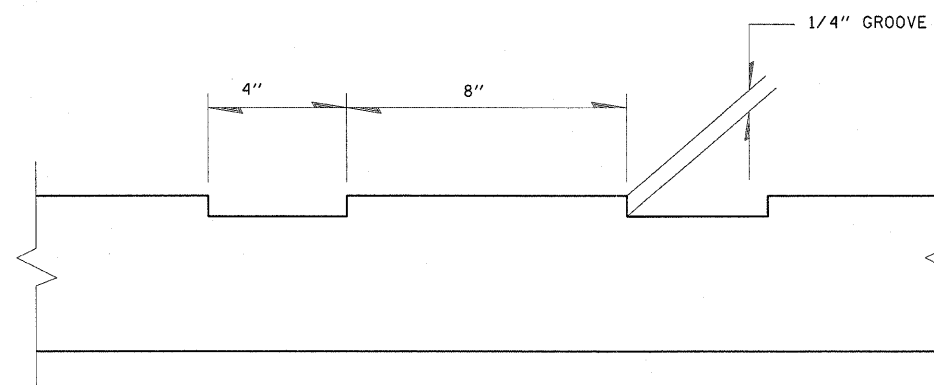


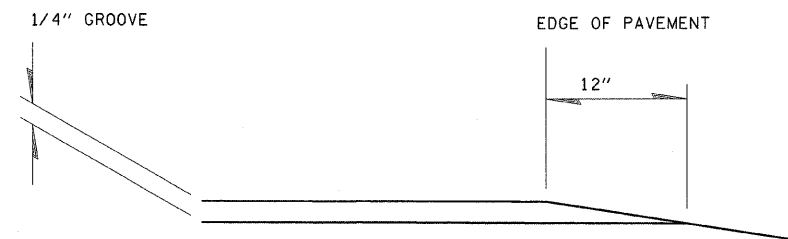
TYPICAL RUMBLE STRIP APPLICATION IN ADVANCE OF AN INTERSECTION



DETAIL "A"



NOTE: THE 25 FEET RUMBLE AREA HAS 4" WIDE GROOVES SAWED INTO THE PAVEMENT, SEPARATED BY 8" OF EXISTING PAVEMENT. THE SAW CUTS SHALL EXTEND 12" INTO THE SHOULDER TO ALLOW FOR DRAINAGE.



FILE NAME =	USER NAME = swartzw	DESIGNED -	REVISED - MMO 12-99	STATE OF ILLINOIS DEPARTMENT OF TRANSPORTATION	TYPICAL RUMBLE STRIP APPLICATION			F.A.P. RTE.	SECTION	COUNTY	TOTAL SHEETS	SHEET NO.	
c:\pw_work\pwidot\swartzw\d147717\0774	118-sht-details.dgn	DRAWN -	REVISED -		SCALE: NA	SHEET NO. 1 OF 1 SHEETS	STA.	TO STA.	832	4RS-1, 114RS-2	COLES	22	21
	PLOT SCALE = 100.0000' / IN.	CHECKED -	REVISED -					CONTRACT NO. 74418		ILLINOIS FED. AID PROJECT			
	PLOT DATE = 11/24/2009	DATE -	REVISED -										