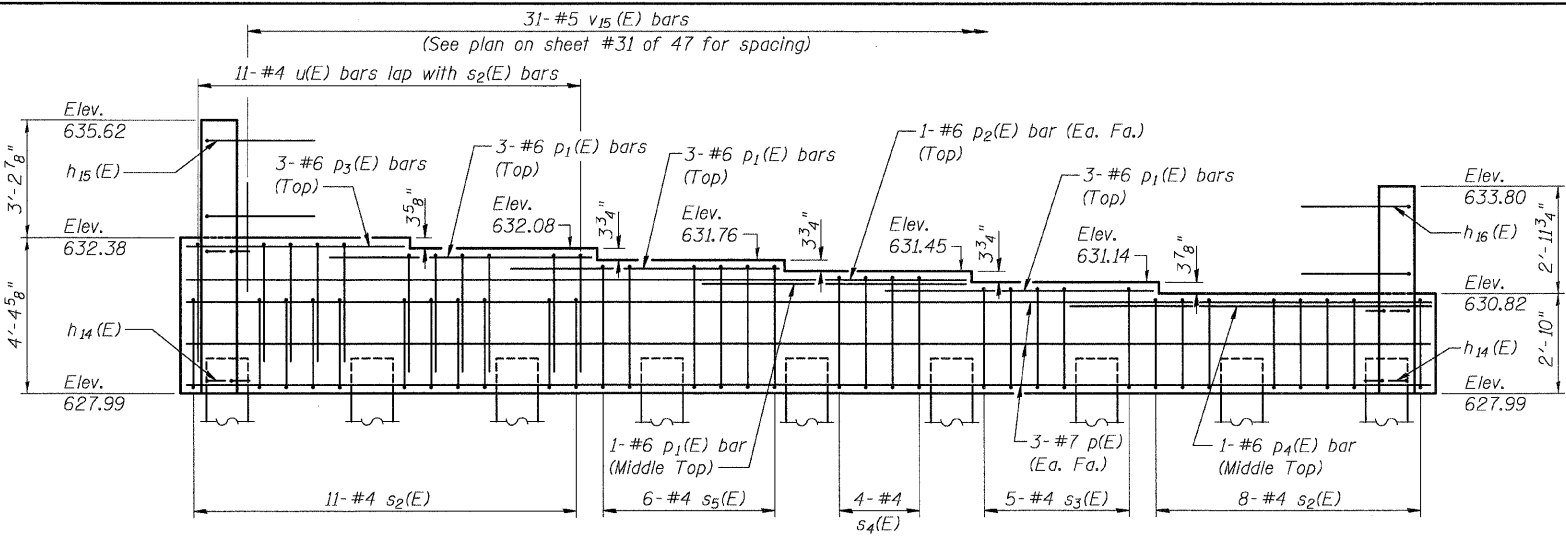


11/10/2008 4:36:27 PM

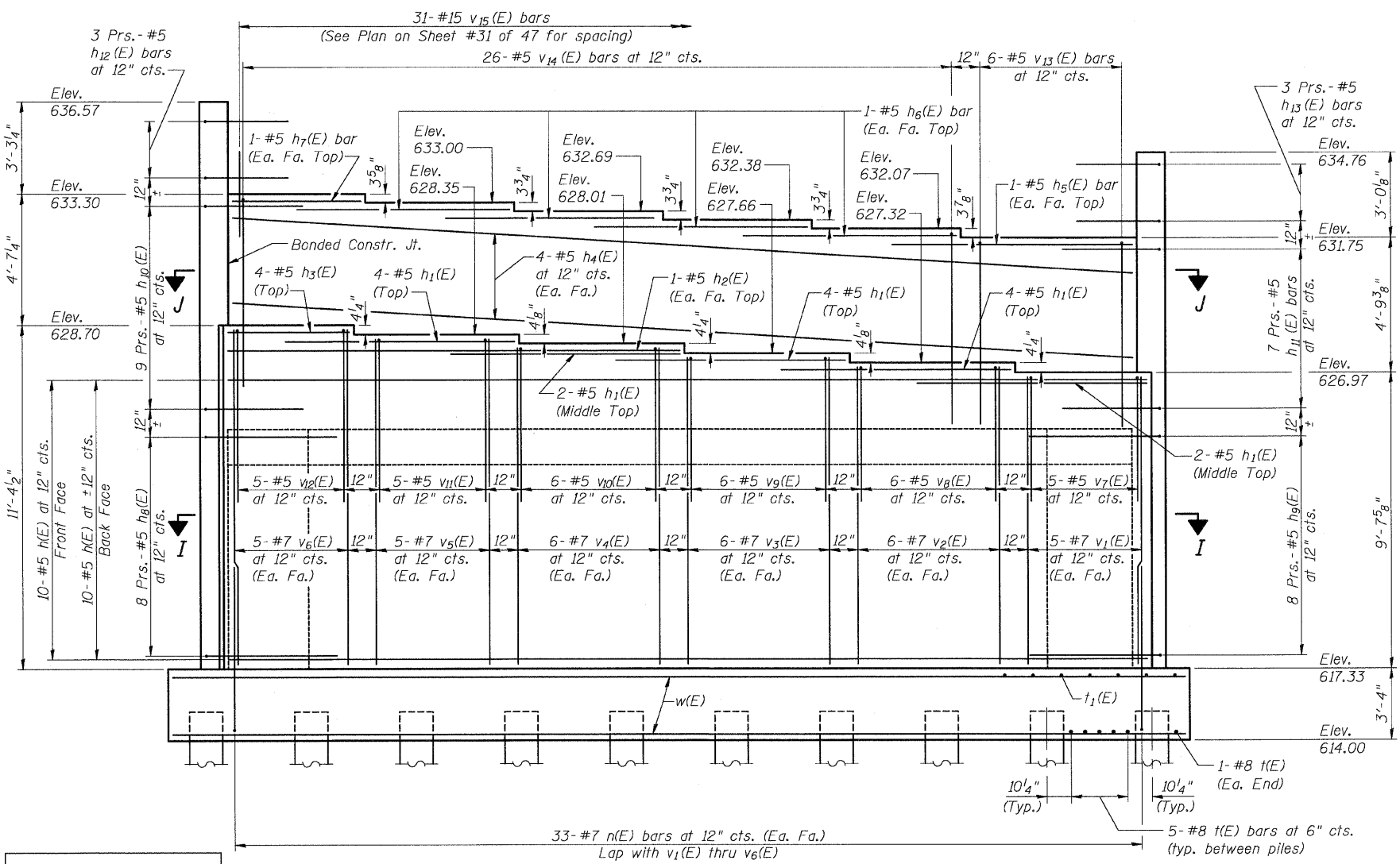
ROUTE NO.	SECTION	COUNTY	TOTAL SHEETS	SHEET NO.	SHEET NO. 32
F.A.P. 318	*	MADISON	93	54	47 SHEETS
FED. ROAD DIST. NO. 7	ILLINOIS	FED. AID PROJECT-			

\* 60-15HB-3 Contract No. 76706



VIEW D-D

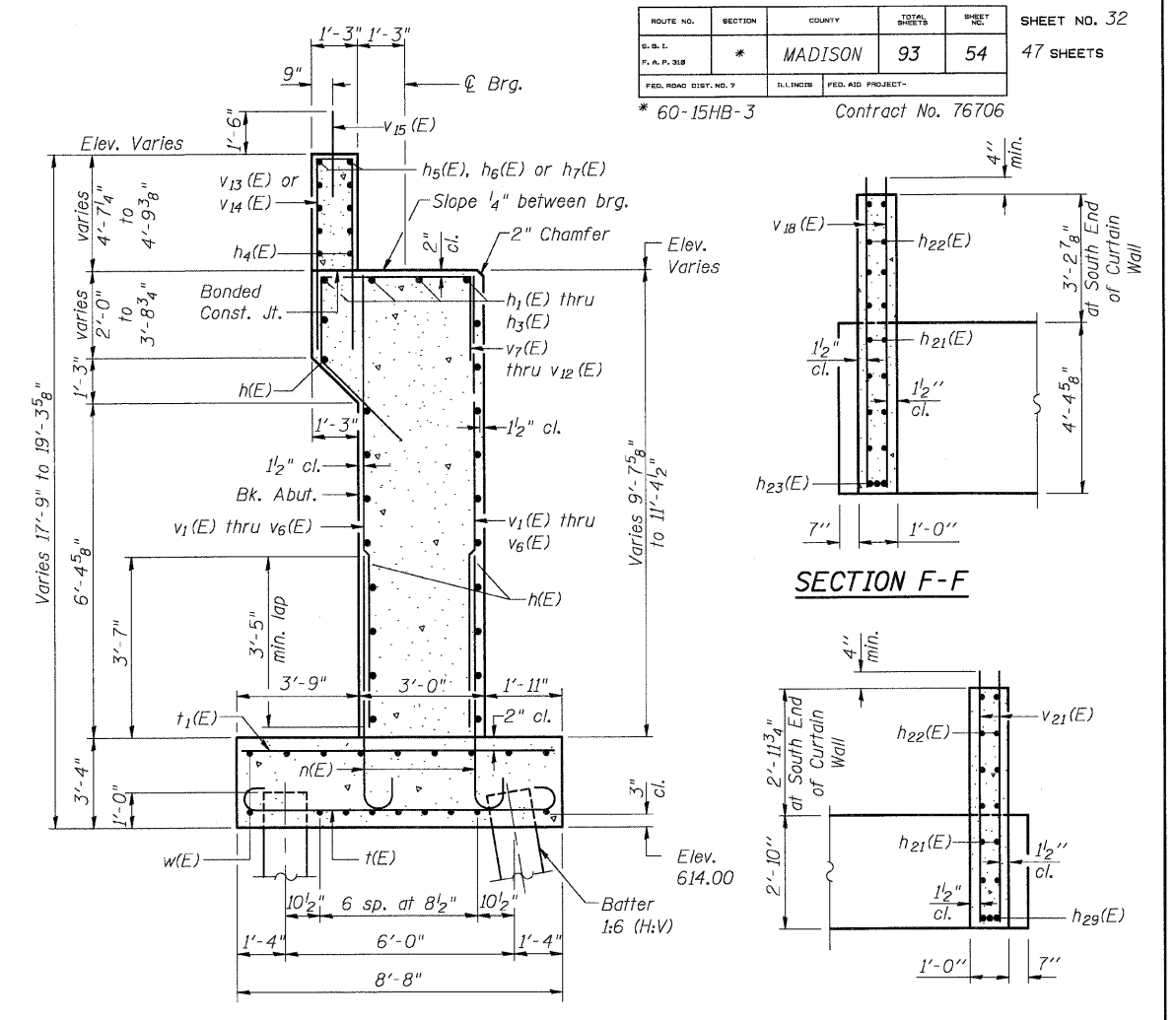
See Plan on Sheet #31 of 47 for spacing of s<sub>2</sub>(E) thru s<sub>5</sub>(E)



VIEW C-C

Notes:  
Work this sheet with sheets #31 & #33 of 47.

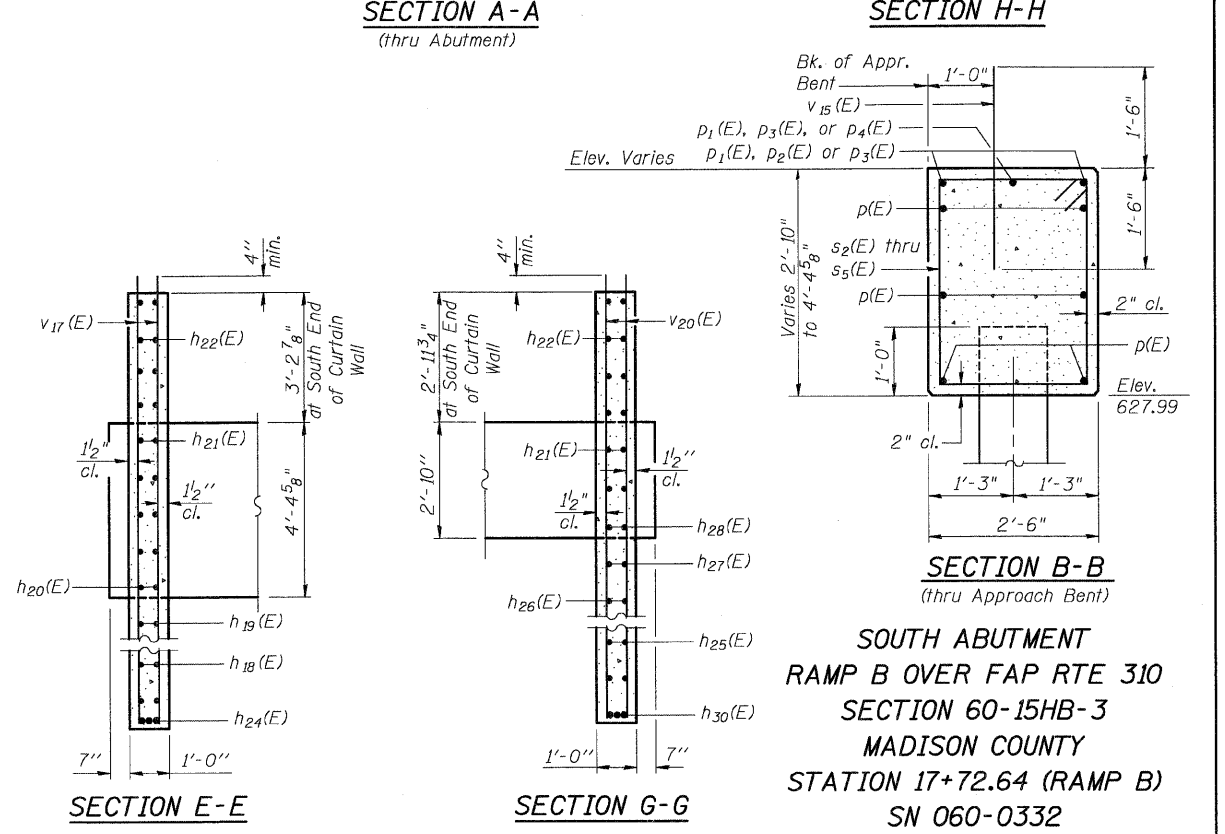
DESIGNED	ADL
CHECKED	WLW
DRAWN	BGJ
CHECKED	WLW



SECTION A-A  
(thru Abutment)

SECTION F-F

SECTION H-H



SOUTH ABUTMENT  
RAMP B OVER FAP RTE 310  
SECTION 60-15HB-3  
MADISON COUNTY  
STATION 17+72.64 (RAMP B)  
SN 060-0332