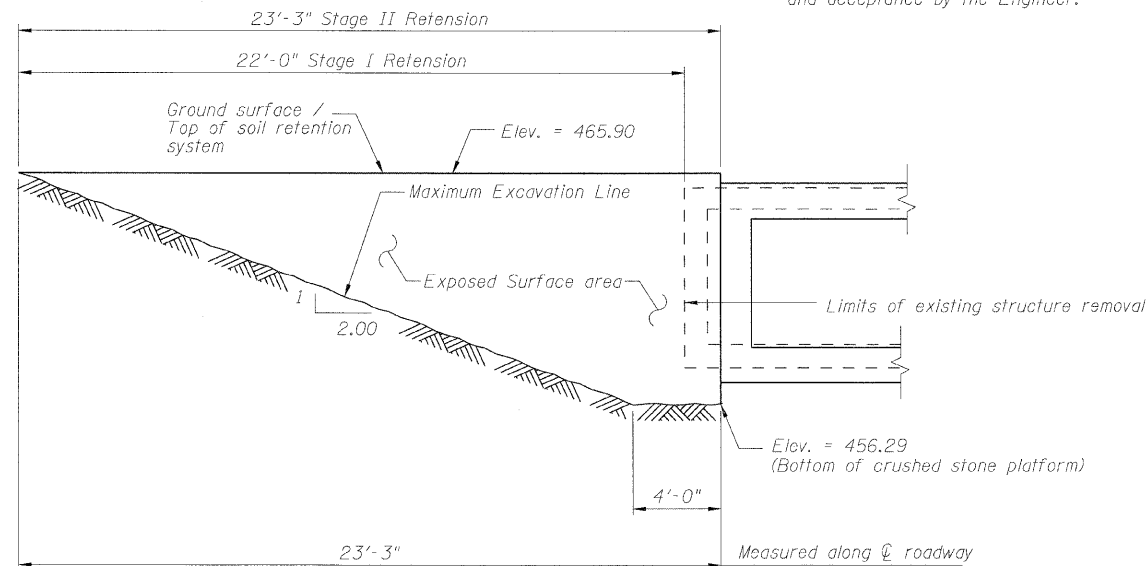


STATE OF ILLINOIS  
DEPARTMENT OF TRANSPORTATION

**GENERAL NOTES**

1. Reinforcement bars shall conform to the requirements of ASTM A 706 Gr 60. See Special Provisions.
2. Reinforcement bars designated (E) shall be epoxy coated.
3. Layout of slope protection system may be varied in the field to suit ground conditions as directed by the Engineer.
4. Precast culvert alternate is not allowed.
5. For back filling and embankment, see Standard Specifications.
6. Protective coat shall be applied to the exposed inside face and top of culvert headwalls and wingwalls.

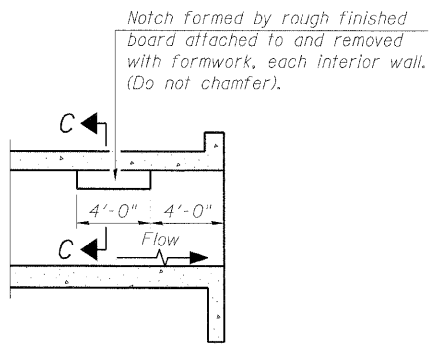
Note:  
A cantilevered sheet piling design does not appear feasible and additional members or other retention systems may be necessary. The Contractor shall submit a temporary soil retention system design including plan details and calculations for review and acceptance by the Engineer.



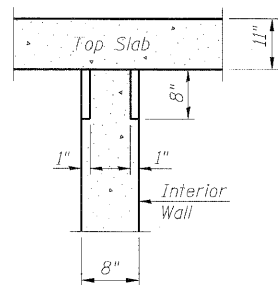
**TEMPORARY SOIL RETENTION SYSTEM**

**TOTAL BILL OF MATERIAL**

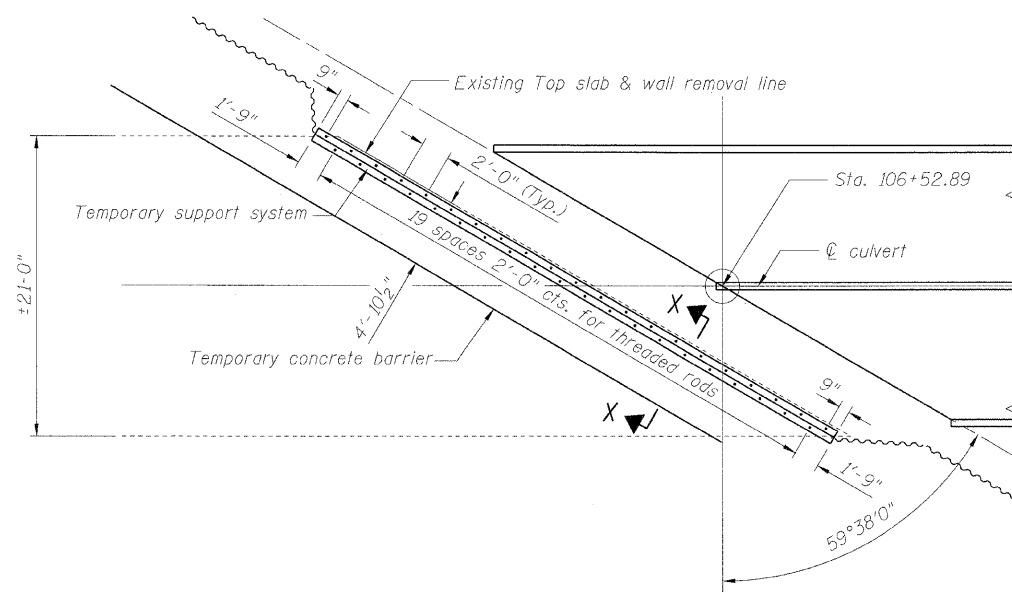
Item	Unit	Total
Stone Riprap, Class A4	Sq. Yd.	113
Filter Fabric	Sq. Yd.	169
Removal of Existing Structures	Each	1
Structure Excavation	Cu. Yd.	69
Concrete Structures	Cu. Yd.	75.7
Reinforcement Bars, Epoxy Coated	Pound	83,420
Bar Splicers	Each	106
Steel Railing, Type 2399	Foot	171
Name Plates	Each	1
Concrete Box Culverts	Cu. Yd.	270.6
Geocomposite Wall Drain	Sq. Yd.	22
Pipe Underdrains for Structures, 4"	Foot	75
Temporary Support System	L. Sum	1
Stud Shear Connectors	Each	186
Furnishing Soldier Piles(w section)	Foot	536
Drilling and setting Soldier piles (in soil)	Cu. Ft.	3,950
Untreated Timber Lagging	Sq. Ft.	323
Temporary Soil Retention System	Sq. Ft.	262
Protective coat	Sq. Yd.	43
Floor Drains	Each	7



**LONGITUDINAL SECTION**

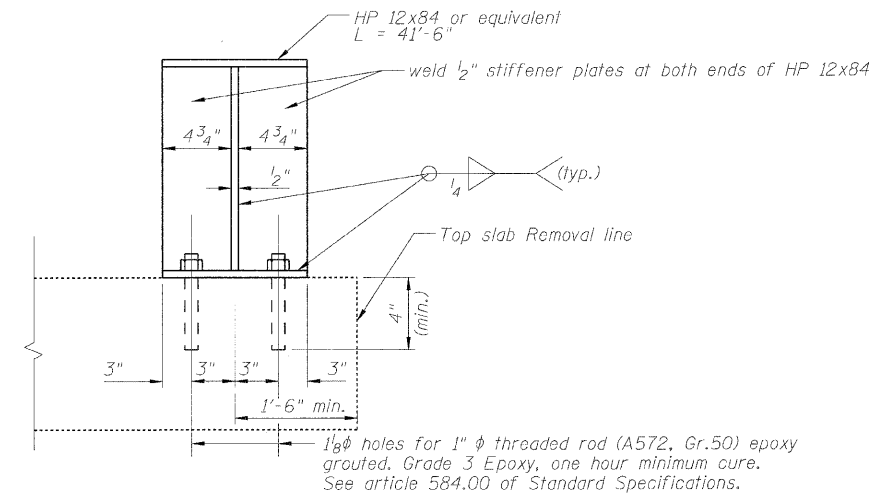


**SECTION C-C  
PHOEBE NESTING  
SITE DETAILS  
(Downstream End Only)**



**PLAN**

**TEMPORARY SUPPORT SYSTEM**



**SECTION X-X**

Note: For location of temporary support system see sht 3 of 15.

**GENERAL NOTES, TOTAL BILL OF MATERIAL,**

**TEMPORARY SOIL RETENTION SYSTEM, TEMPORARY SUPPORT SYSTEM**

**STRUCTURE NO: 082-2044**

DESIGNED - KRG
CHECKED - MJK
DRAWN - GSJ
CHECKED - MJK

SHEET NO. 2	F.A.P. RTE.	SECTION	COUNTY	TOTAL SHEETS	SHEET NO.
15 SHEETS	600	60-(30,31,128)-1	St. Clair	399	243
STRUCTURE NO: 082-2044			CONTRACT NO. 76830		
FED. ROAD DIST. NO. _		ILLINOIS FED. AID PROJECT			

MID-AMERICA ENGINEERING SERVICES