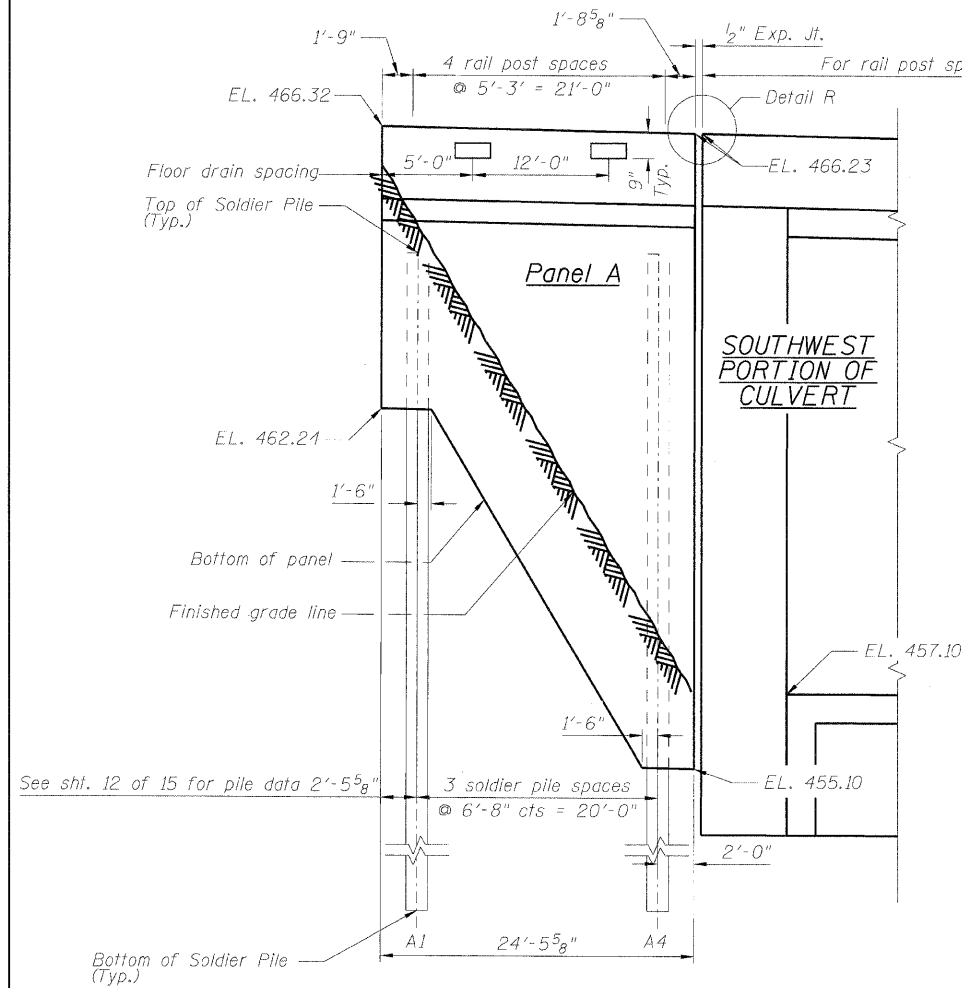
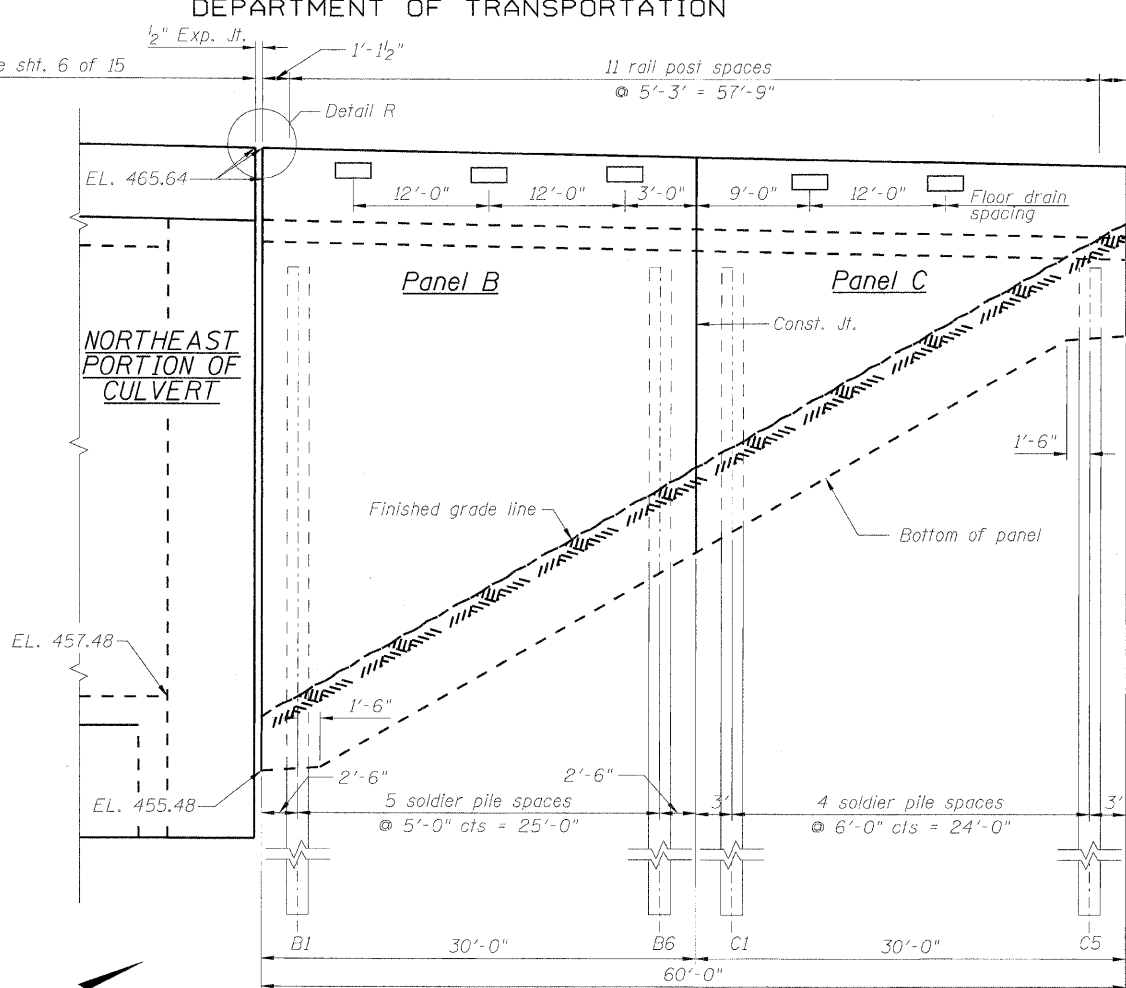


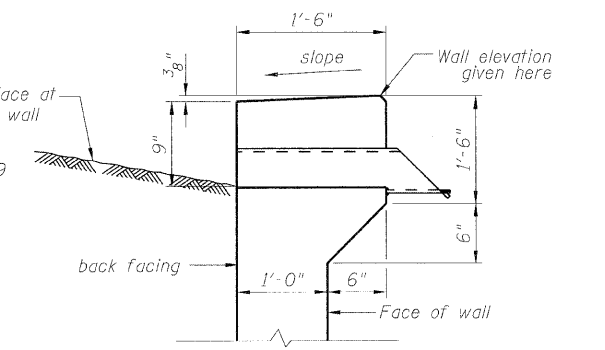
STATE OF ILLINOIS  
DEPARTMENT OF TRANSPORTATION



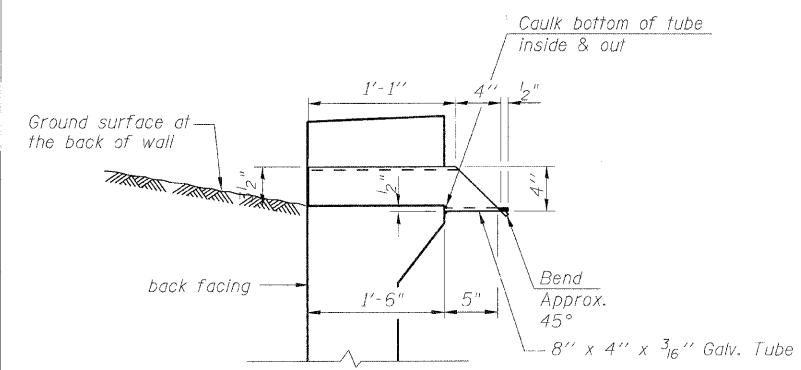
**ELEVATION**



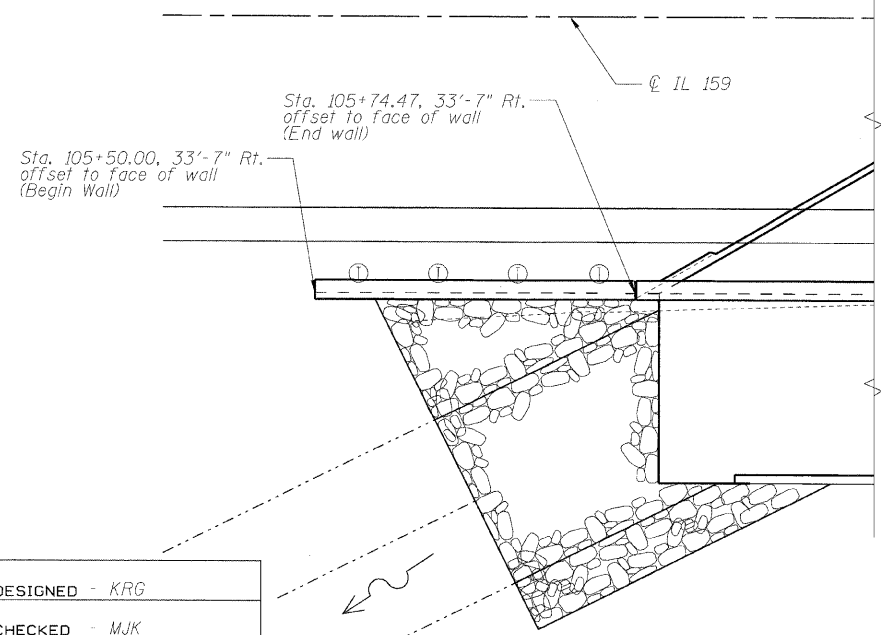
**LONGITUDINAL SECTION**  
Through Embankment



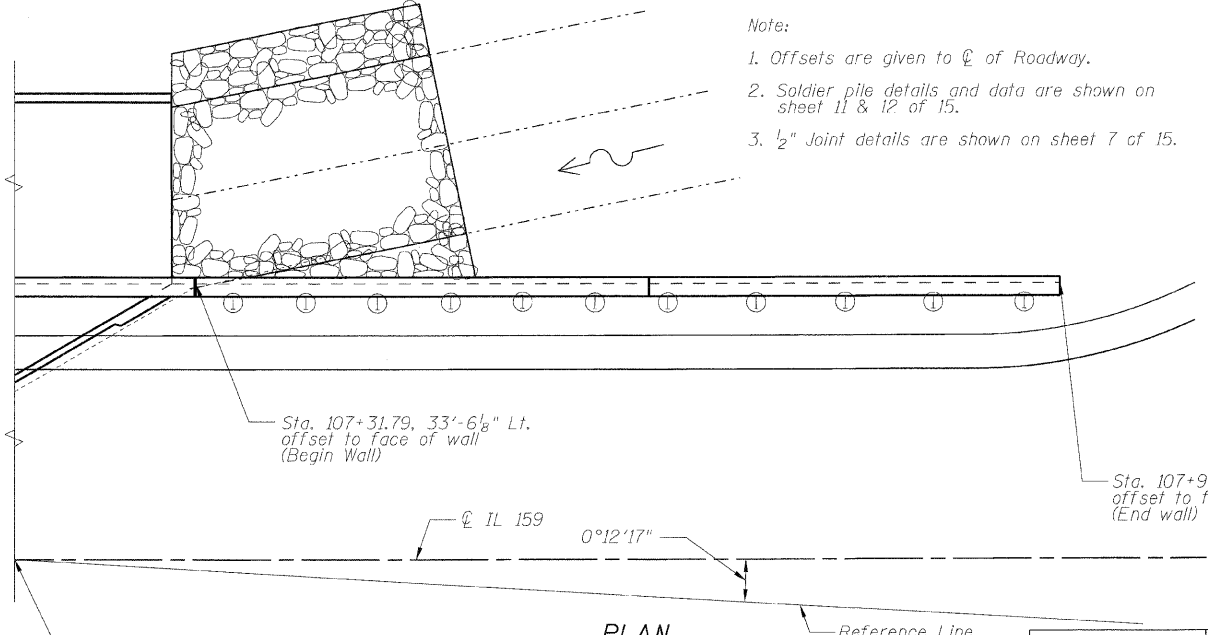
**DETAIL AT TOP OF FACING**



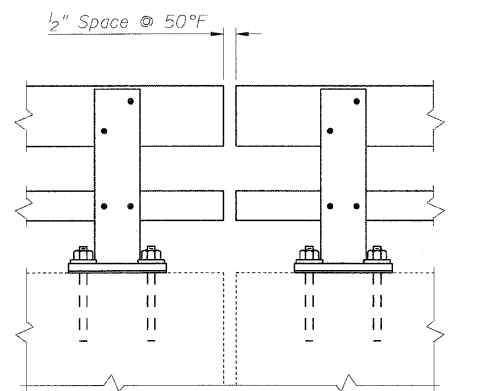
**FLOOR DRAIN DETAIL**



**PLAN**  
SOUTHWEST WINGWALL



**PLAN**  
NORTHEAST WINGWALL



**DETAIL R**

**SOLDIER PILE WING WALLS**  
STRUCTURE NO: 082-2044

DESIGNED - KRG  
CHECKED - MJK  
DRAWN - GSJ  
CHECKED - MJK

SHEET NO. 10 15 SHEETS	F.A.P. RTE.	SECTION	COUNTY	TOTAL SHEETS	SHEET NO.
	600	60-(30,31,128)-1	St. Clair	399	251
STRUCTURE NO: 082-2044			CONTRACT NO. 76830		
FED. ROAD DIST. NO. - ILLINOIS FED. AID PROJECT					

MID-AMERICA ENGINEERING SERVICES