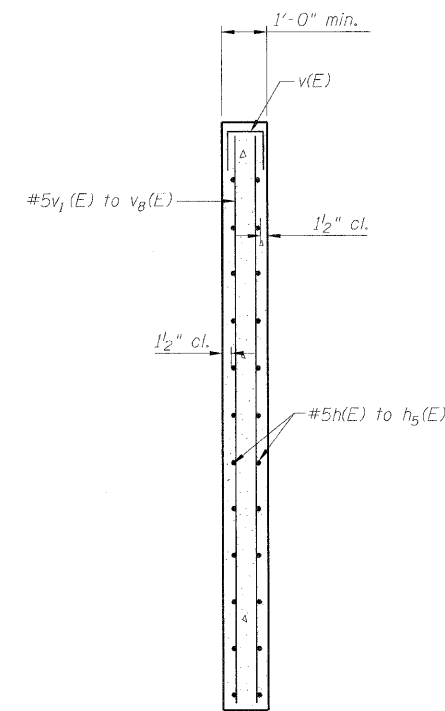


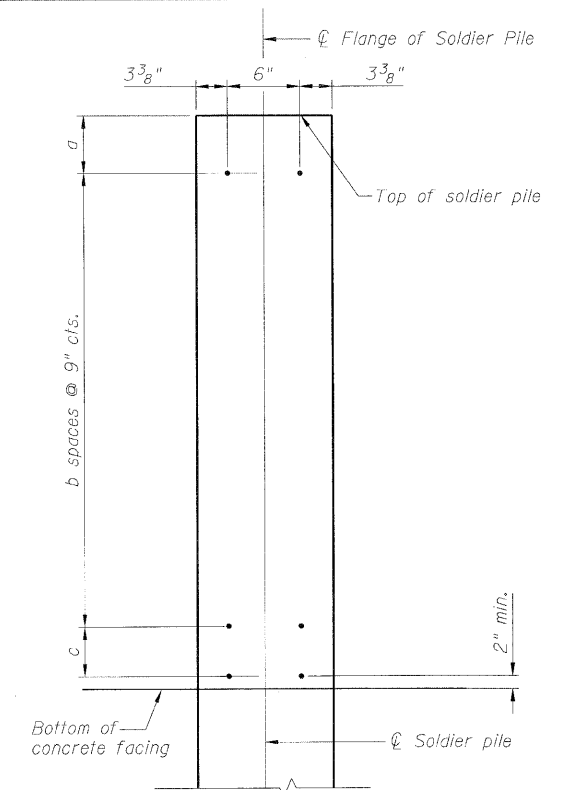
STATE OF ILLINOIS
DEPARTMENT OF TRANSPORTATION

SOLDIER PILE DATA

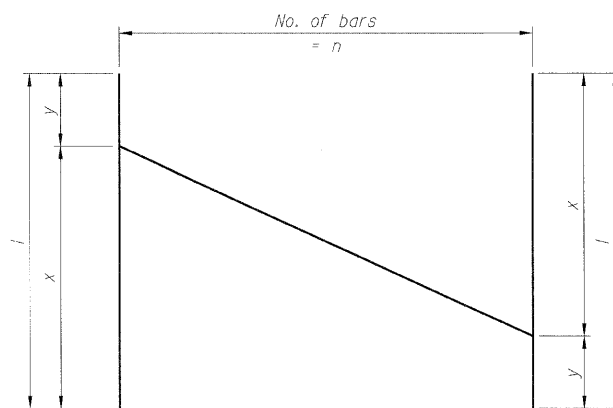
Panel	Soldier Pile Designations	Top of soldier Pile Elevation	Bottom of soldier Pile Elevation	Top of concrete encasement	Top of CLSM	Stud Shearconnectors			
						a	b	c	No. per pile
A	A ₁ W Section	463.50	434.00	460.50	±462.50	3"	2	6"	8
	A ₂ W Section						2	6"	8
	A ₃ W Section						3	4"	10
B	B ₁ Built up Section	464.50					3	4"	10
	B ₂ W Section			459.90			3	4"	10
	B ₃ Built up Section			459.50			3	4"	10
C	C ₁ W Section	465.00		459.50			7	3"	18
	C ₂ W Section								
	C ₃ W Section								
	C ₄ W Section								
D	D ₁ W Section								
	D ₂ W Section								
	D ₃ W Section								
	D ₄ W Section								
E	E ₁ W Section								
	E ₂ W Section								
	E ₃ W Section								
	E ₄ W Section								
F	F ₁ Built up Section	464.50					6	3"	14
	F ₂ Built up Section	464.50		460.20			3	4"	8
G	G ₁ W Section	463.00		460.00			5	3"	12
	G ₂ W Section								
	G ₃ W Section								
	G ₄ W Section								
	G ₅ W Section								
H	H ₁ W Section								
	H ₂ W Section								
	H ₃ W Section								
	H ₄ W Section								
	H ₅ W Section								



SECTION THRU PANEL



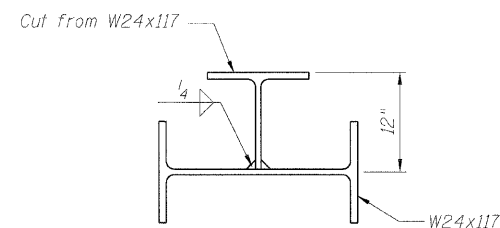
SHEAR STUD SPACING DETAIL



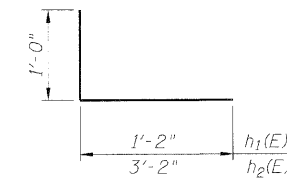
BAR CUTTING DIAGRAM

BAR DIMENSIONS

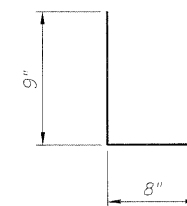
Bar	n	x	y	l
v ₁ (E)	14	7'-6"	6'-6"	14'-0"
v ₂ (E)	14	9'-0"	7'-6"	16'-6"
v ₄ (E)	9	9'-0"	8'-0"	17'-0"
v ₅ (E)	60	8'-0"	6'-6"	14'-6"



SOLDIER PILE
(Built-up Section)



BARS h₁(E) to h₂(E)



BAR v(E)

BILL OF MATERIAL

Bar	No.	Size	Length	Shape
h(E)	34	#5	13'-2"	—
h ₁ (E)	36	#5	2'-2"	—
h ₂ (E)	36	#5	4'-2"	—
h ₃ (E)	54	#5	25'-3"	—
h ₄ (E)	18	#5	7'-8"	—
h ₅ (E)	48	#5	20'-6"	—
v(E)	180	#5	2'-2"	—
v ₁ (E)	14	#5	14'-0"	—
v ₂ (E)	14	#5	16'-6"	—
v ₃ (E)	150	#5	9'-0"	—
v ₄ (E)	9	#5	17'-0"	—
v ₅ (E)	60	#5	14'-6"	—
v ₆ (E)	2	#5	7'-6"	—
v ₇ (E)	12	#5	9'-0"	—
v ₈ (E)	2	#5	8'-0"	—
Concrete Structures			Cu. Yd.	58.0
Reinforcement Bars (Epoxy coated)			Pound	6780

SOLDIER PILE DETAIL

SHEET NO. 7	F.A.P. RTE.	SECTION	COUNTY	TOTAL SHEETS	SHEET NO.
9 SHEETS	600	60-(30,31,128)-1	St. Clair/Madison	399	263
RETAINING WALL 1			CONTRACT NO. 76830		
FED. ROAD DIST. NO. _		ILLINOIS FED. AID PROJECT			

MID-AMERICA ENGINEERING SERVICES

DESIGNED - KRG
CHECKED - MJK
DRAWN - GSJ
CHECKED - MJK