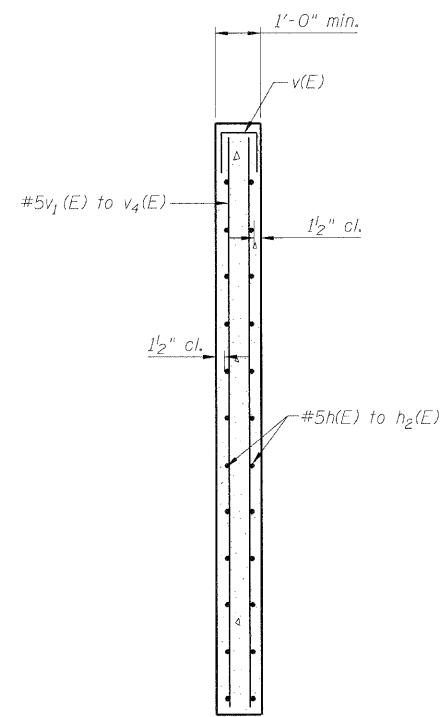


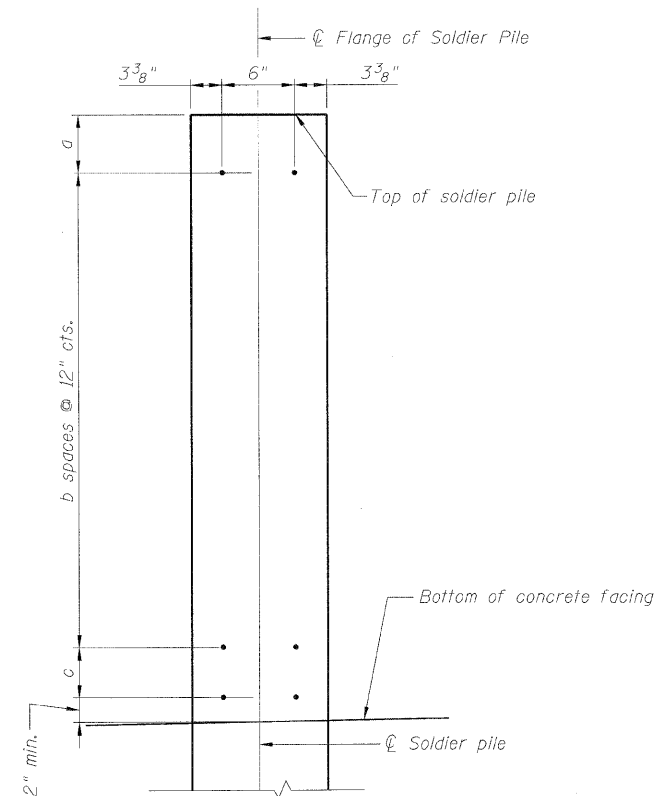
STATE OF ILLINOIS  
DEPARTMENT OF TRANSPORTATION

SOLDIER PILE DATA

Panel	Soldier Pile Designations	Top of soldier Pile Elevation	Bottom of soldier Pile Elevation	Top of concrete encasement	Top of CLSM	Stud Shearconnectors			
						a	b	c	No. per pile
K	K <sub>1</sub> W Section	470.39	441.00	467.11	469.00	3"	2	10"	8
	K <sub>2</sub> W Section	470.58					2	12"	8
	K <sub>3</sub> W Section	470.75					3	2 1/2"	10
	K <sub>4</sub> W Section	470.93					3	5"	10
L	L <sub>1</sub> W Section	471.06			470.00		3	6"	10
	L <sub>2</sub> W Section	471.23					3	8"	10
	L <sub>3</sub> W Section	471.40					3	10"	10
	L <sub>4</sub> W Section	471.58					3	12"	10
M	M <sub>1</sub> W Section	471.70					3	12"	10
	M <sub>2</sub> W Section	471.88					4	4"	12
	M <sub>3</sub> W Section	472.06			471.00		4	6"	12
	M <sub>4</sub> W Section	472.22					4	12"	12
N	N <sub>1</sub> W Section	471.86					4	3"	12
	N <sub>2</sub> W Section	470.98					3	5"	10
	N <sub>3</sub> W Section	470.02			469.00		2	5"	8



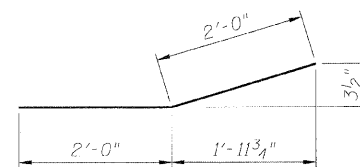
SECTION THRU PANEL



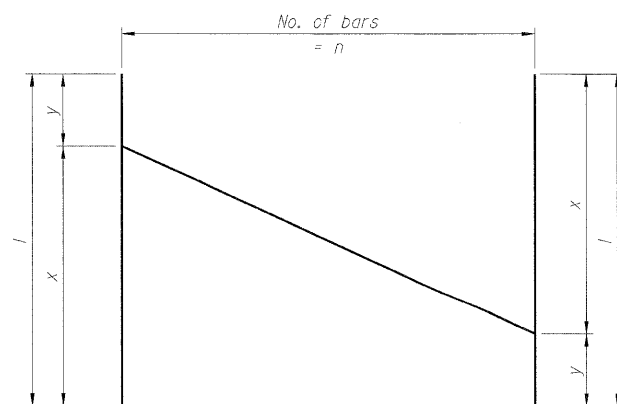
SHEAR STUD SPACING DETAIL

BAR DIMENSIONS

Bar	n	x	y	l
v <sub>1</sub> (E)	25	7'-5"	6'-9"	14'-2"
v <sub>2</sub> (E)	25	7'-5"	8'-1"	15'-6"
v <sub>3</sub> (E)	25	8'-1"	8'-8"	16'-9"
v <sub>4</sub> (E)	18	8'-8"	6'-5"	15'-1"

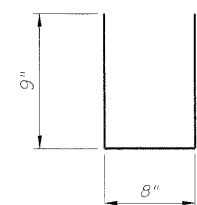


BAR h<sub>2</sub>(E)



BAR CUTTING DIAGRAM

Bars v<sub>1</sub>(E) to v<sub>4</sub>(E)



BARS v(E)

BILL OF MATERIAL

Bar	No.	Size	Length	Shape
h(E)	60	#5	25'-1"	—
h <sub>1</sub> (E)	20	#5	17'-1"	—
h <sub>2</sub> (E)	20	#5	4'-0"	—
v(E)	93	#5	2'-2"	U
v <sub>1</sub> (E)	25	#5	14'-2"	—
v <sub>2</sub> (E)	25	#5	15'-6"	—
v <sub>3</sub> (E)	25	#5	16'-9"	—
v <sub>4</sub> (E)	18	#5	15'-1"	—
Concrete Structures			Cu. Yd.	29.6
Reinforcement Bars (Epoxy coated)			Pound	3720

SOLDIER PILE WALL DATA

SHEET NO. 5	F.A.P. RTE.	SECTION	COUNTY	TOTAL SHEETS	SHEET NO.
	7 SHEETS	600	60-(30,31,128)-1	Madison	399
RETAINING WALL 2			CONTRACT NO. 76830		
FED. ROAD DIST. NO. ILLINOIS FED. AID PROJECT					

DESIGNED - KRG  
CHECKED - MJK  
DRAWN - GSJ  
CHECKED - MJK

MID-AMERICA ENGINEERING SERVICES