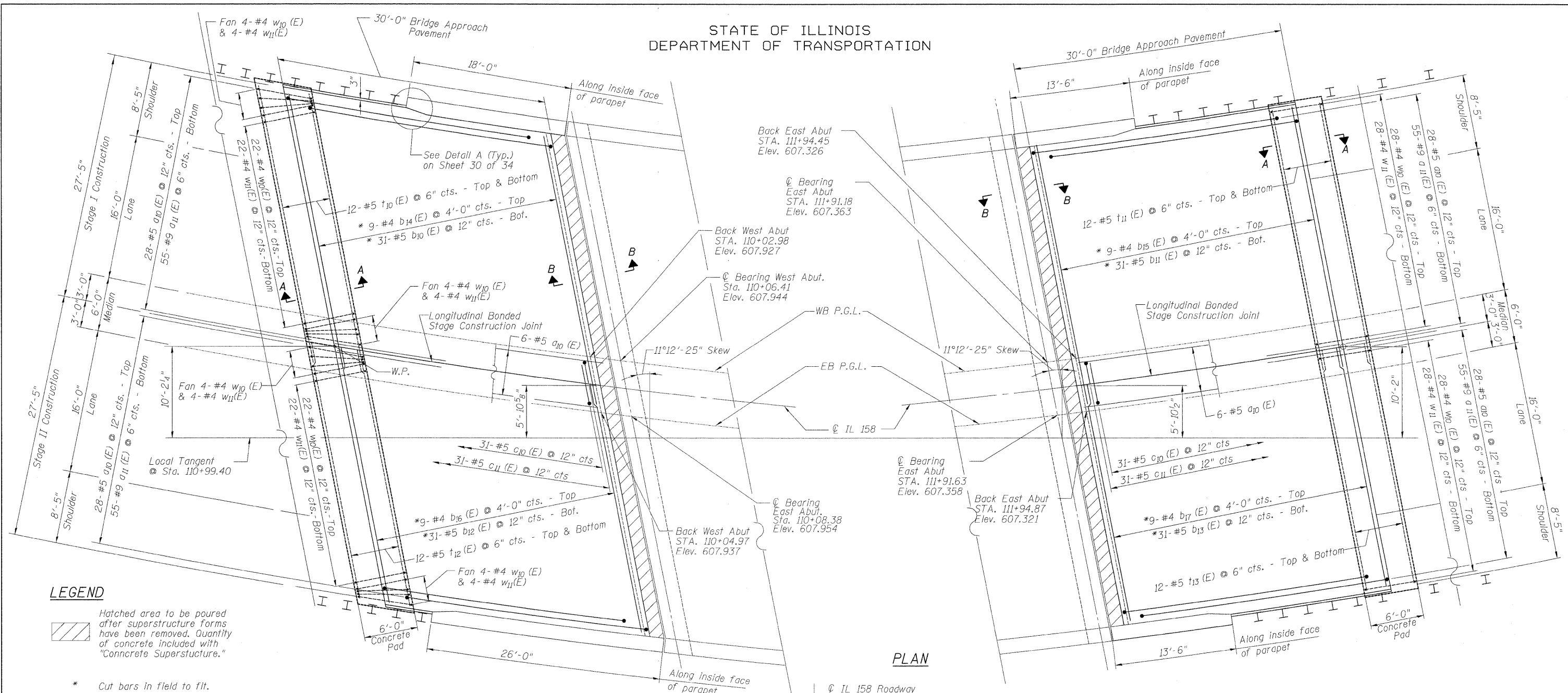


STATE OF ILLINOIS
DEPARTMENT OF TRANSPORTATION



LEGEND

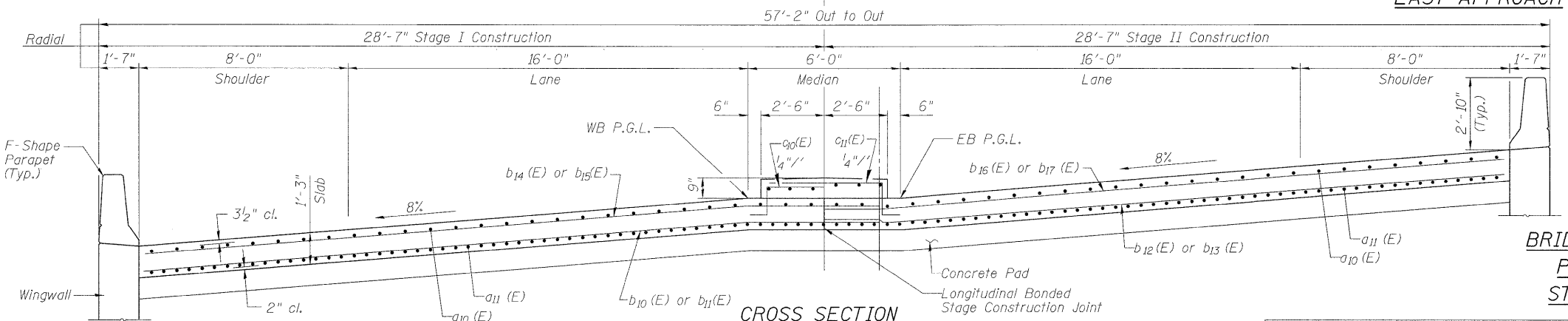
Hatched area to be poured after superstructure forms have been removed. Quantity of concrete included with "Concrete Superstructure."

* Cut bars in field to fit.

WEST APPROACH

PLAN

EAST APPROACH



CROSS SECTION

**BRIDGE APPROACH PAVEMENT
PLAN & CROSS SECTION
STRUCTURE NO. 067-0042**

| |
|--------------------|
| DESIGNED - JPM |
| CHECKED - WPM |
| DRAWN - MD |
| CHECKED - JPM, WPM |



9-28-09

Notes:
Work this sheet with sheets 18 thru 24 and 30 of 34

| | | | | | |
|---|-------------|---------|--------|--------------|-----------|
| SHEET NO. 29 34 SHEETS | F.A.P. RTE. | SECTION | COUNTY | TOTAL SHEETS | SHEET NO. |
| | 809 | 67-1HBR | Monroe | 144 | 93 |
| CONTRACT NO. 76977 | | | | | |
| FED. ROAD DIST. NO. 7 ILLINOIS FED. AID PROJECT | | | | | |