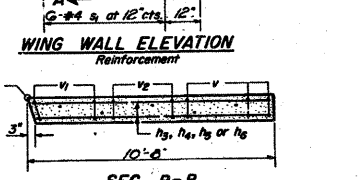
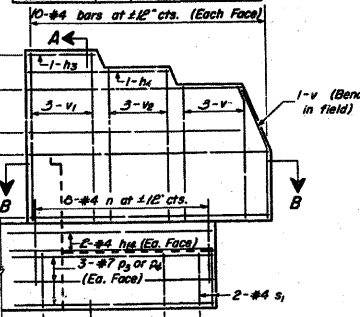


STATE OF ILLINOIS
DEPARTMENT OF PUBLIC WORKS & BUILDINGS
DIVISION OF HIGHWAYS



**NEST ABUTMENT
BILL OF MATERIAL**

Bar	No.	Size	Length	Shape
h1	12	#5	20'-0"	
h2	10	#5	5'-1"	L
h3	10	#5	5'-2"	L
h4	4	#4	6'-2"	
h5	4	#4	5'-9"	
h6	12	#4	6'-11"	
h7	10	#4	10'-1"	
h8	8	#4	7'-9"	
h9	3	#4	12'-9"	
h10	12	#4	6'-9"	
h11	6	#4	8'-0"	
n	10	#4	11'-5"	U
h12	10	#7	27'-3"	
h13	6	#7	7'-9"	
h14	6	#7	6'-3"	
h15	16	#4	9'-5"	
h16	54	#4	17'-9"	
u1	3	#6	10'-0"	U
u2	4	#6	7'-0"	
u3	2	#6	7'-9"	
v	10	#4	6'-0"	
w	110	#4	7'-5"	
x	12	#4	6'-7"	
y	27	#3	4'-2"	

Class X Concrete Cu. Yds. 61.6
Reinforcement Bars Lbs. 35,370

NEST ABUTMENT
301.155 OVER
664 RELOCATED (11.15)
366.67-110
MONROE COUNTY
76977-117-0025

DESIGNED *W.K. Swanson Jr.*
CHECKED *B.C.*
DRAWN *W.K. Swanson Jr.*
APPROVED *W.K. Swanson Jr.*

EXAMINED *W.K. Swanson Jr.*
DATE *JULY 6 1964*

A-B-R (15°-35°) 7-18-62 Rev. 11-27-62

Rev. 4-29-63 S.F.M. Added additional footing as shown on sheet 7A due to revised elev. of solid bedrock (Elev. 597.9 to 599.0)

FOR INFORMATION ONLY