

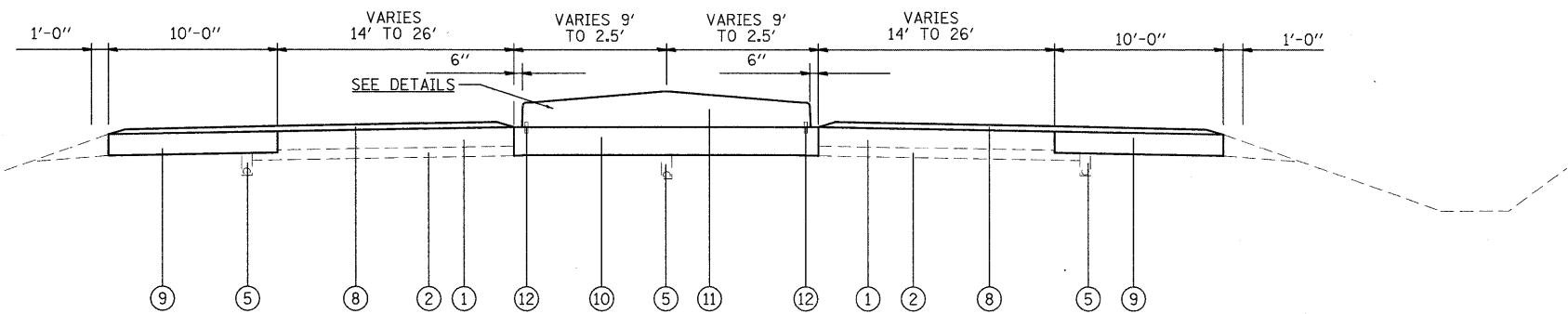
EXISTING TYPICAL SECTION

LEGEND

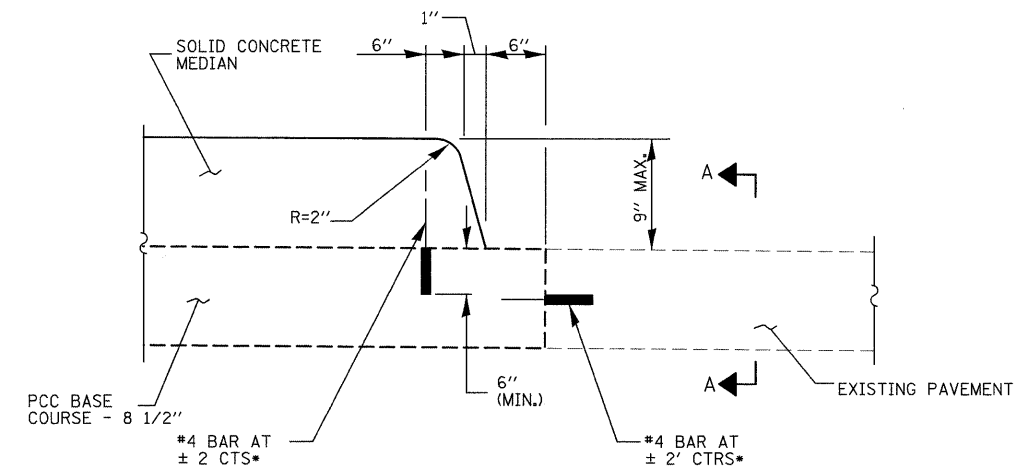
- ① EXISTING PCC PAVEMENT - 10"
- ② EXISTING SUBBASE GRANULAR MATERIAL, TYPE A - 6"
- ③ EXISTING COMBINATION CONCRETE CURB AND GUTTER, TYPE M 6.06
- ④ EXISTING SAND FILL
- ⑤ EXISTING PIPE UNDERDRAIN 4"
- ⑥ EXISTING CONCRETE MEDIAN SURFACE 4"/SOLID MEDIAN*
- ⑦ EXISTING FULL DEPTH BITUMINOUS SHOULDERS
- ⑧ PROPOSED HMA SURFACE COURSE, MIX"D", N70 - 2"
- ⑨ PROPOSED HMA BASE COURSE - 10 1/2"
- ⑩ PROPOSED PCC BASE COURSE - 8 1/2"
- ⑪ PROPOSED CONCRETE MEDIAN, TYPE SM (DOWELLED)
- ⑫ PROPOSED DOWELL BARS

REMOVAL

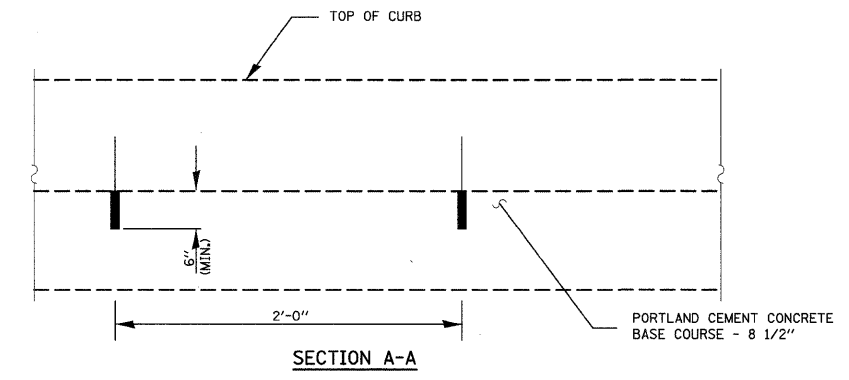
RESURFACING EXTENDS 40' EITHER END OF STRUCTURE



PROPOSE TYPICAL SECTION



CONCRETE MEDIAN, TYPE SM (DOWELLED) DETAIL



SECTION A-A

NOTES:

THE COST OF DOWELL BARS IN THE CONCRETE MEDIAN SHALL BE CONSIDERED AS INCLUDED IN THE COST OF "CONCRETE MEDIAN, TYPE SM (DOWELLED)".

* EPOXY GROUT #4 BARS IN 6" (MINIMUM) DRILLED HOLES ACCORDING TO SECTION 584 OF STANDARD SPECIFICATIONS.

FILE NAME =	USER NAME = manntm	DESIGNED -	REVISED -
c:\pwork\pwork\manntm\dms2470\p1n10207b.dgn		DRAWN -	REVISED -
		CHECKED -	REVISED -
		DATE -	REVISED -

STATE OF ILLINOIS
DEPARTMENT OF TRANSPORTATION

TYPICAL SECTIONS
LOCATION 1

SCALE: NO SCALE SHEET NO. 1 OF 1 SHEETS STA. TO STA.

F.A.P. RTE.	SECTION	COUNTY	TOTAL SHEETS	SHEET NO.
327	14-12BR-1	CLINTON	72	5
CONTRACT NO. 76B27				
FED. ROAD DIST. NO. ILLINOIS FED. AID PROJECT				