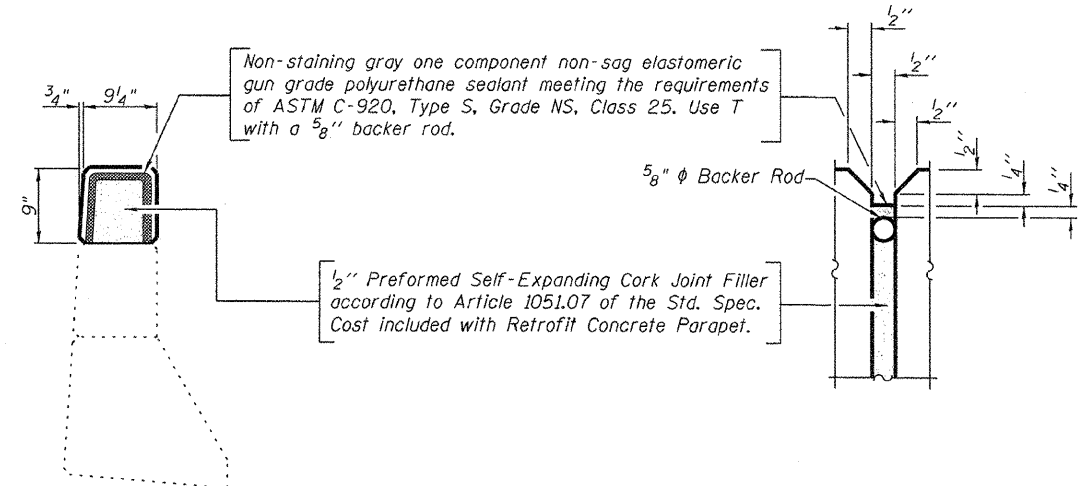


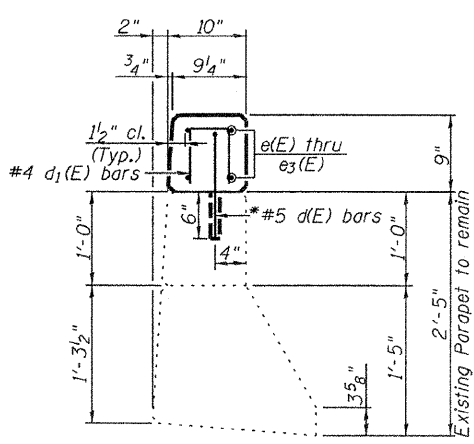
HALF ELEVATION OF PARAPET
(Inside Face of Parapet)

NOTES

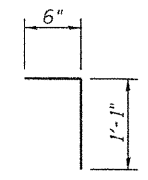
Class SI concrete shall be used throughout.
All exposed edges shall be chamfered $\frac{3}{4}$ "
Class SI concrete; reinforcement bars, epoxy coated; threaded anchor rods; $\frac{1}{2}$ " PJF and all other accessories needed for installation and erection shall be included in the cost of "Retrofit Concrete Parapet".
The contractor shall use the capsule or the adhesive cartridge type anchor rods that have been previously tested and given a prior approval by the department. The contractor shall install these anchor rods in pre-drilled holes according to the manufacturer's recommendations and procedures.
The capsule or the adhesive cartridge shall be sealed glass capsule or a sealed glass adhesive cartridge containing premeasured amount of adhesive chemical.
Holes for the epoxy grouted bars shall miss existing parapet joints.
The concrete parapet retrofit will be measured for payment in foot (ft) along the top of parapet end to end. This work will be paid for at the contract unit price per foot (ft) of "Retrofit Concrete Parapet".
* Epoxy grout d(E) bars in 6" (min.) drilled holes according to Section 584 of the Standard Specifications.
** Dimensions are based on a Rolled Rail Strip Seal Joint. If the Contractor elects to use the Welded Rail Strip Seal Joint, deck dimensions may require adjustments to satisfy the details on Sheet 10 of 17.



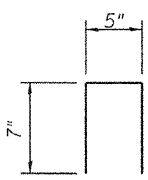
PARAPET JOINT DETAILS



SECTION A-A



BAR d(E)



BAR d1(E)

REBAR LIST
(FOR INFORMATION ONLY)

Bar	No.	Size	Length	Shape
e(E)	48	#4	12'-9"	—
e1(E)	96	#4	18'-3"	—
e2(E)	96	#4	8'-11"	—
e3(E)	72	#4	15'-2"	—
d(E)	1108	#5	1'-7"	└
d1(E)	1108	#4	1'-7"	└
Reinforcement Bars, Epoxy Coated			Pound	5890

BILL OF MATERIAL

ITEM	UNIT	TOTAL
Bridge Rail Removal	Foot	1172
Retrofit Concrete Parapet	Foot	1106

PARAPET DETAILS
S.N. 014-0049

<p>Allen Henderson & Associates, Inc. Civil and Structural Engineers Springfield, IL. 62703 Phone: (217)544-8033 IL Design Firm No. 184-001907</p>	<p>SHEET NO. 9</p> <p>17 SHEETS</p>	F.A.P. RTE.	SECTION	COUNTY	TOTAL SHEETS	SHEET NO.
		327	14-12BR-1	CLINTON	72	53
		CONTRACT NO. 76B27				
FED. ROAD DIST. NO. ILLINOIS FED. AID PROJECT						