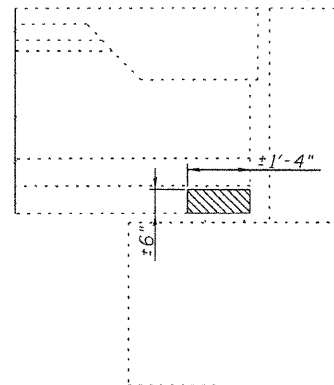
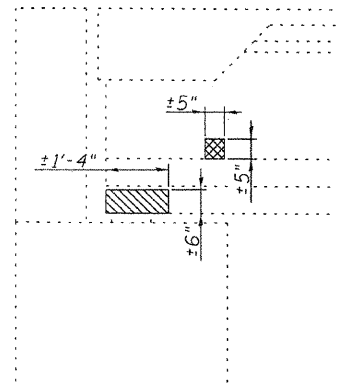


S. Side

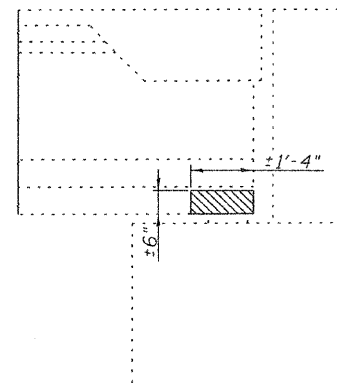


N. Side

BEAM 1

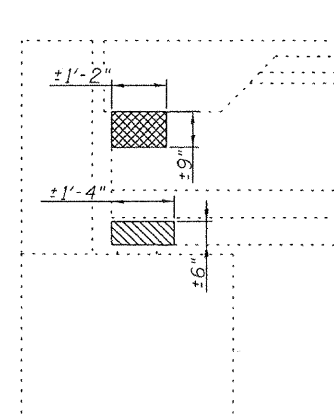


S. Side

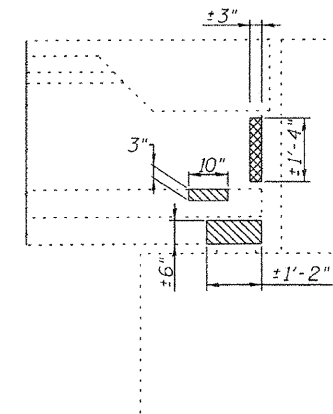


N. Side

BEAM 2

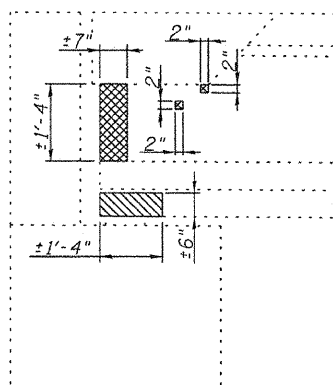


S. Side

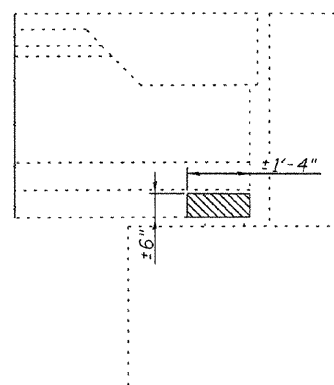


N. Side

BEAM 3

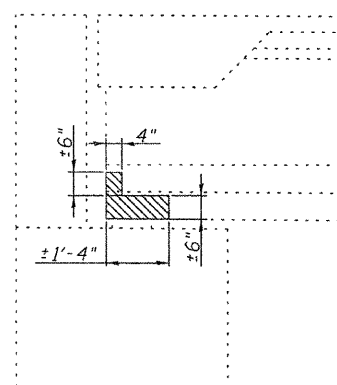


S. Side

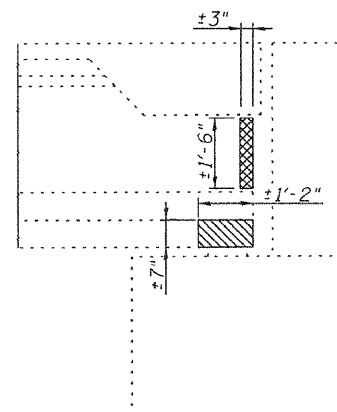


N. Side

BEAM 4

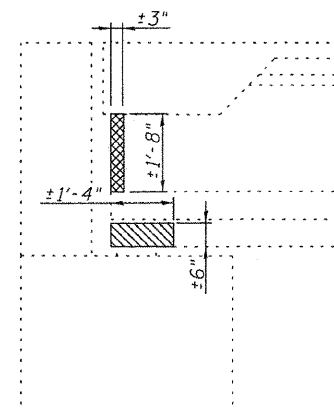


S. Side

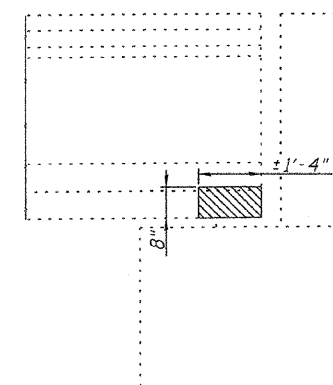


N. Side

BEAM 5



S. Side



N. Side

BEAM 6

Note: Hatched area indicates approximate area of Structural Repair of Concrete. Cross-Hatched area indicates approximate area of Polymer Modified Portland Cement Mortar. Exact repairs are to be determined by the Engineer.

* Damaged areas within the beam's flanges are to be repaired per Structural Repair of Concrete (Depth equal to or less than 5") only.

** Damaged area within the beam's web are to be repaired per Polymer Modified Portland Cement Mortar only. (Typ. all locations)

BILL OF MATERIAL

Item	Unit	Total
* Structural Repair of Concrete (Depth equal to or less than 5")	Sq. Ft.	7.6
** Polymer Modified Portland Cement Mortar	Sq. Ft.	4.5

**PPC I-BEAM REPAIR DETAILS
WEST ABUTMENT
S.N. 014-0049**



Allen Henderson & Associates, Inc.
Civil and Structural Engineers Springfield, IL.
62703 Phone: (217)544-8033 IL Design Firm
No. 184-001907

SHEET NO. 13
17 SHEETS

F.A.P. RTE.	SECTION	COUNTY	TOTAL SHEETS	SHEET NO.
327	14-12BR-1	CLINTON	72	57
CONTRACT NO. 76B27				
FED. ROAD DIST. NO. _ ILLINOIS FED. AID PROJECT				