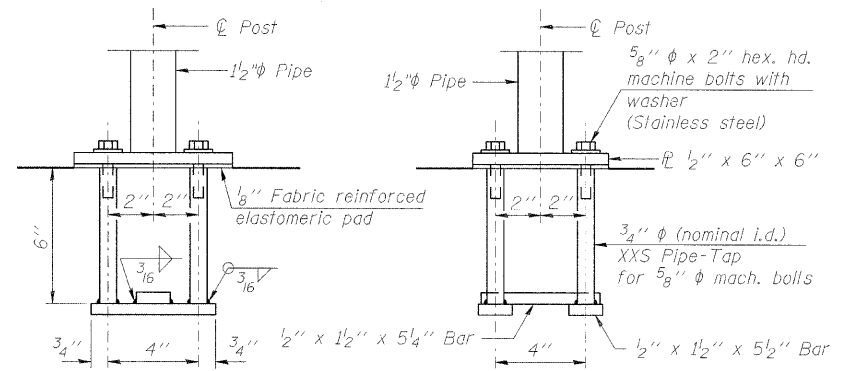
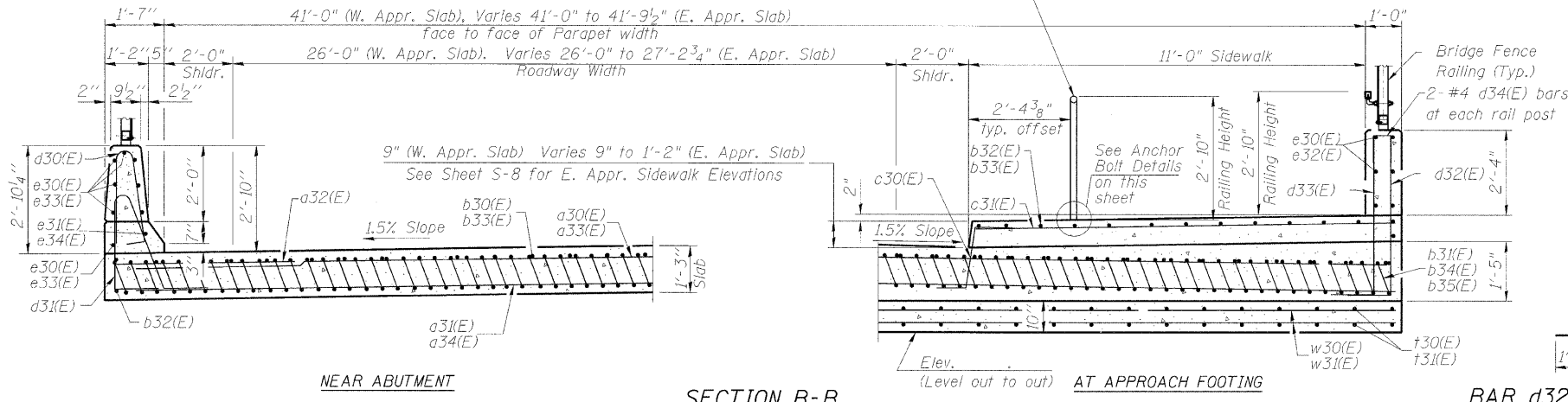


Notes:
 Approach slab and parapet concrete shall be paid for as Concrete Superstructure.
 Approach footing concrete shall be paid for as Concrete Structures.
 Reinforcement shall be paid for as Reinforcement Bars, Epoxy Coated.
 For v4(E) & v14(E) bar details, see sheets S-24 and S-27, respectively.
 The approach footing maximum applied service bearing pressure (Qmax) = 2.0 ksf.
 Cost of excavation for approach footing included with Concrete Structures.
 Pedestrian Railing shall be paid for as Pedestrian Railing.

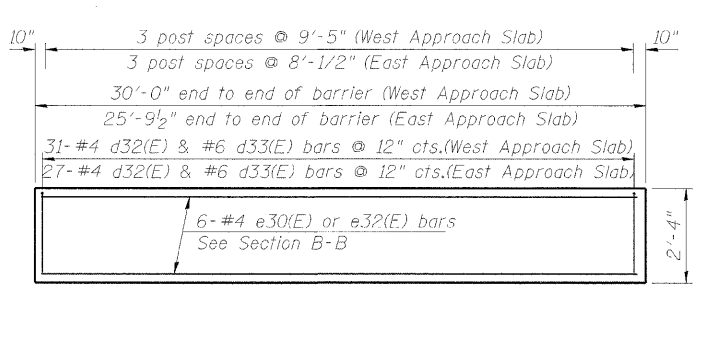
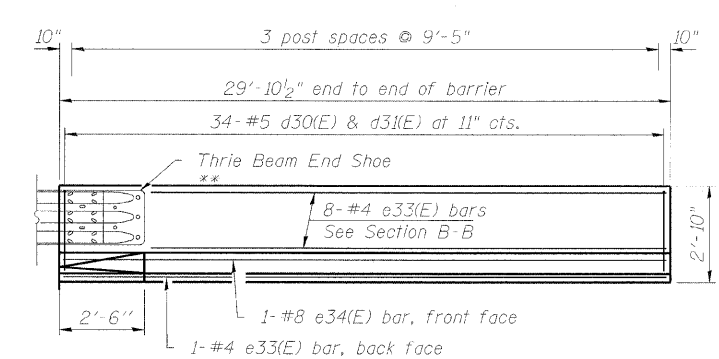
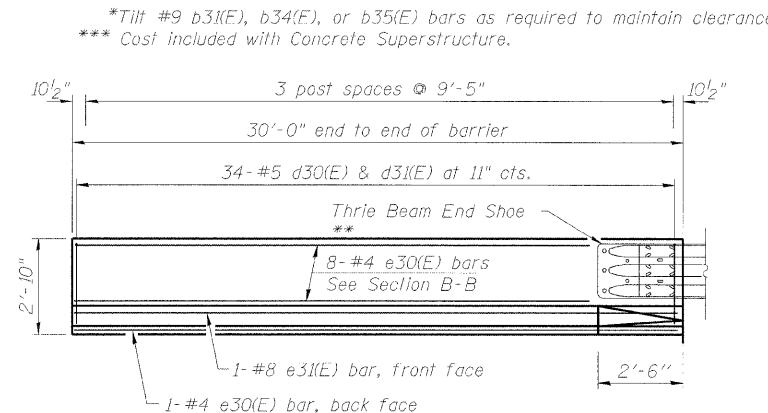
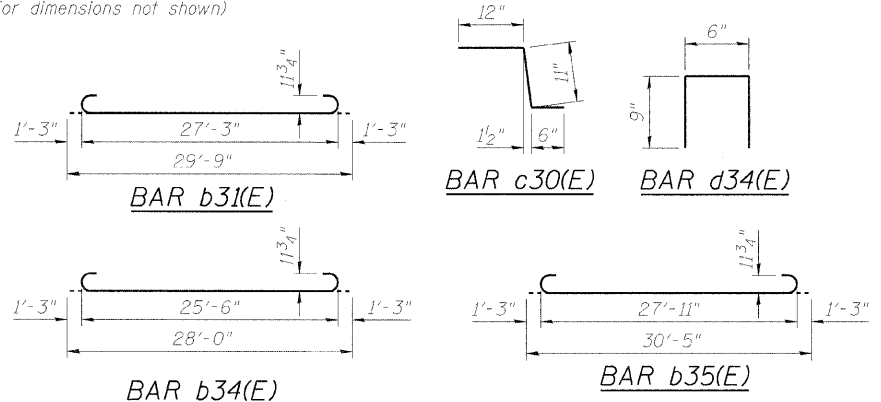
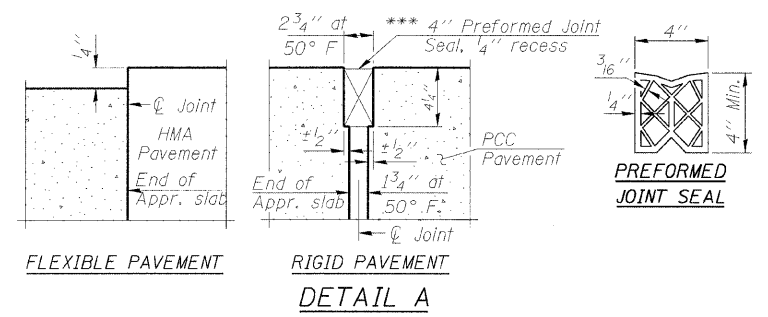


In lieu of the cast-in-place anchor device shown, the Contractor has the option of drilling and setting 5/8" anchor rods according to Article 509.06 of the Standard Specifications. Embedment shall be according to the manufacturer's specifications.



**TWO APPROACH SLABS
 BILL OF MATERIAL**

Bar	No.	Size	Length	Shape
a30(E)	50	#4	23'-9"	—
a31(E)	92	#5	24'-0"	—
a32(E)	50	#6	6'-0"	—
a33(E)	50	#4	24'-2"	—
a34(E)	92	#5	24'-5"	—
b30(E)	45	#4	29'-8"	—
b31(E)	105	#9	29'-9"	—
b32(E)	13	#5	29'-8"	—
b33(E)	58	#4	29'-6"	—
b34(E)	15	#9	28'-0"	—
b35(E)	92	#9	30'-5"	—
c30(E)	63	#5	2'-5"	—
c31(E)	63	#5	11'-8"	—
d30(E)	68	#5	5'-7"	—
d31(E)	68	#5	7'-11"	—
d32(E)	58	#4	5'-2"	—
d33(E)	58	#6	5'-2"	—
d34(E)	16	#4	2'-0"	—
e30(E)	15	#4	29'-8"	—
e31(E)	1	#8	29'-8"	—
e32(E)	6	#4	25'-6"	—
e33(E)	9	#4	29'-6"	—
e34(E)	1	#8	29'-6"	—
t30(E)	180	#4	10'-3"	—
w30(E)	12	#5	24'-0"	—
w31(E)	42	#5	24'-5"	—
Concrete Superstructure	Cu. Yd.		158.5	
Concrete Structures	Cu. Yd.		27.2	
Reinforcement Bars, Epoxy Coated	Pound		37,350	



** See IDOT Standard 631031-07 For Connection Details