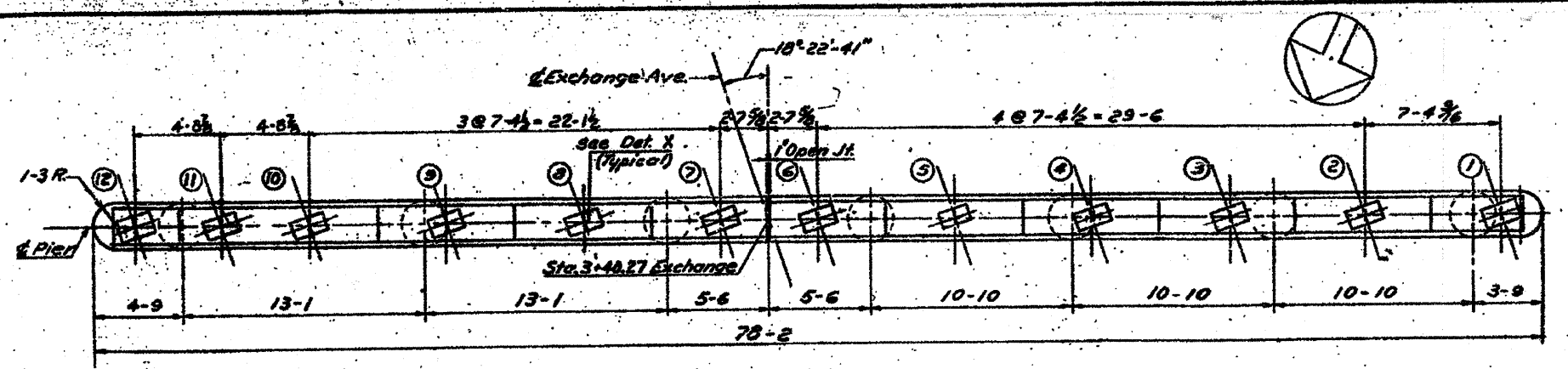
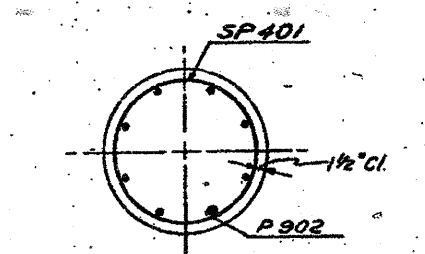


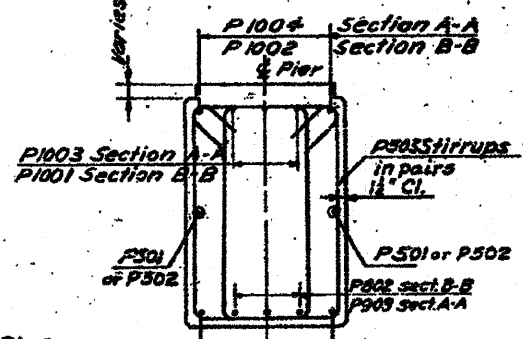
PROJECT NO.	17	COUNTY	ST. LOUIS	SHEET NO.	30
DATE	JAN 1958	DRAWN BY		CHKD BY	



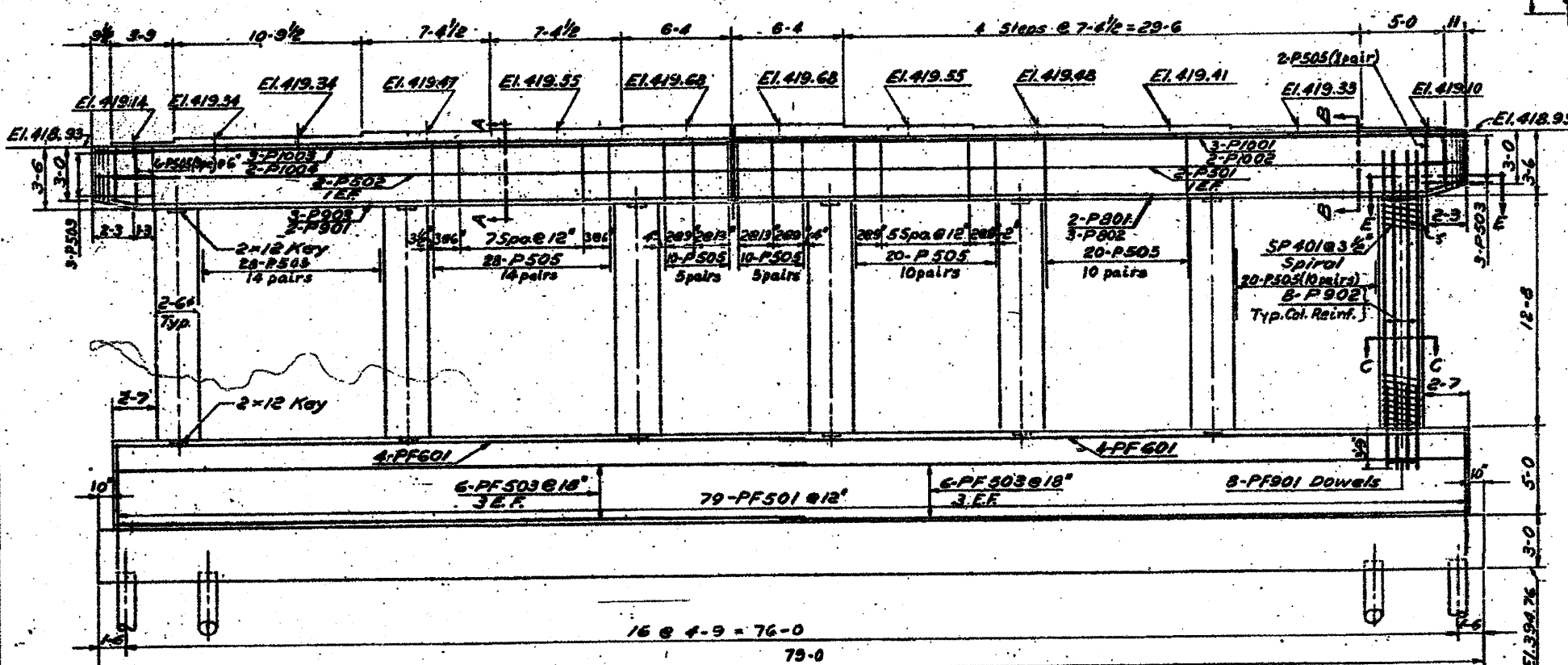
**PIER CAP**



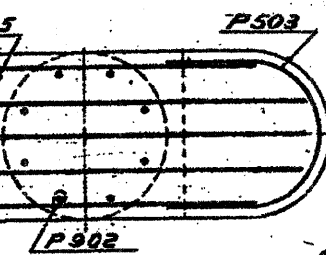
**SECTION C-C**



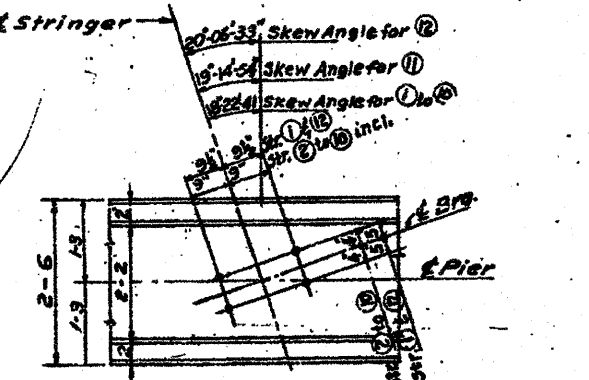
**SECTION A-A & SECTION B-B**



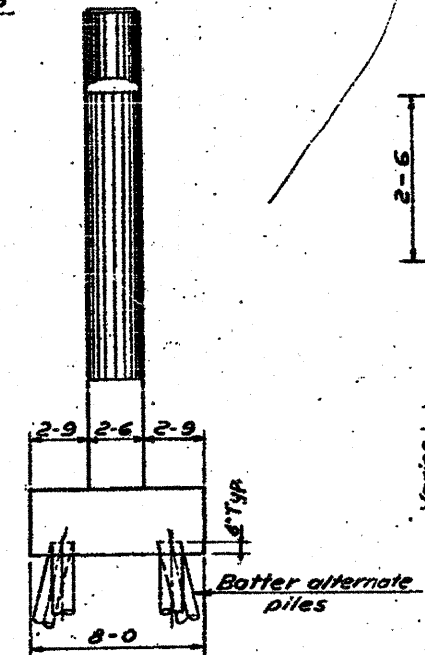
**ELEVATION**



**SECTION E-E**

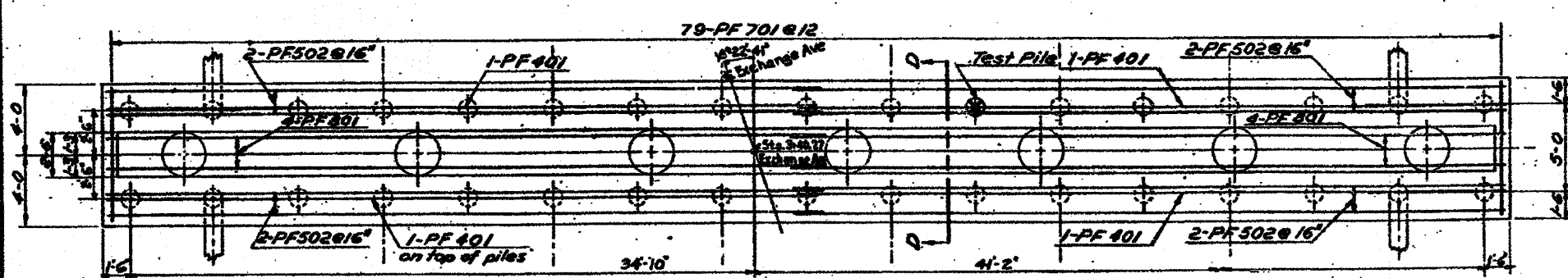


**PLAN**

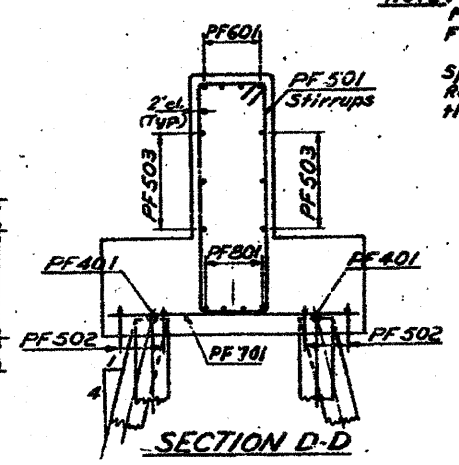


**DETAIL X**

**NOTE:**  
 For Bar List see Sheet No. 7.  
 For pile details see Sh. No. 15.  
 Special care shall be taken in placing reinforcement bars in Bridge seat so they will not interfere with Anchor Bolts



**FOOTING PLAN**



**SECTION D-D**

STATE OF ILLINOIS  
 DEPARTMENT OF PUBLIC WORKS & BLDGS.  
 DIVISION OF HIGHWAYS  
 &  
 CITY OF EAST ST. LOUIS  
**EAST ST. LOUIS EXPRESSWAY**  
 EXCHANGE AVE. OVER EXPRESSWAY  
 PIER  
 H. W. LOCHNER, INC.  
 ENGINEERS  
 CHICAGO, ILLINOIS

Designed by: F.Z.  
 Drawn by: E.H.  
 Checked by: R.M.E.

**FOR INFORMATION ONLY**

DATE JANUARY 1958 SHEET NO. 6

SHEET A-6 236 F