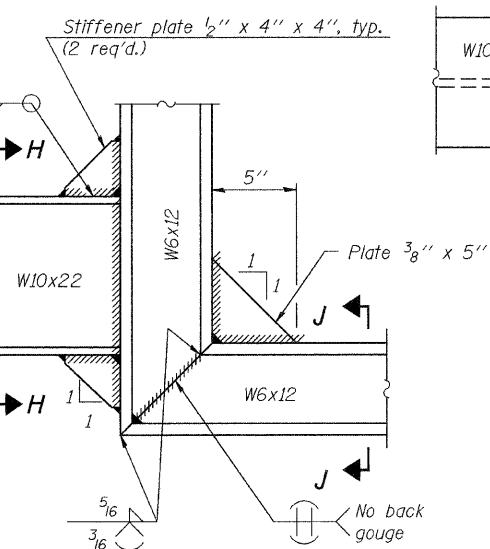
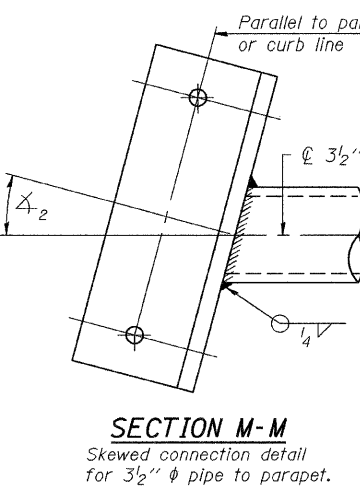
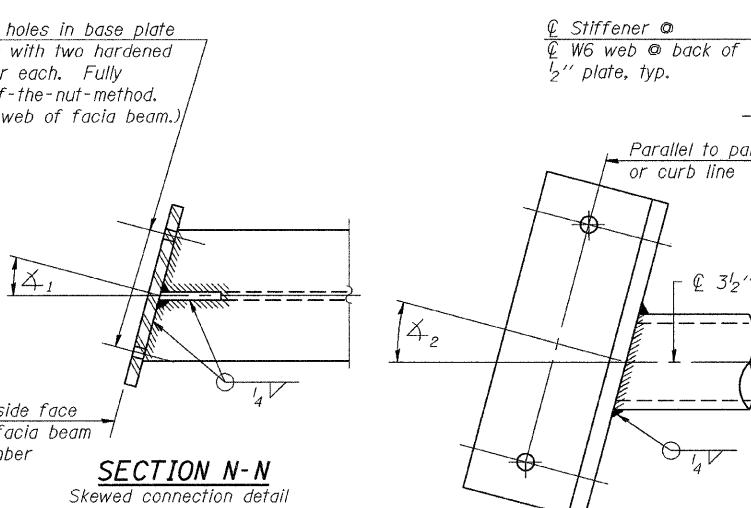
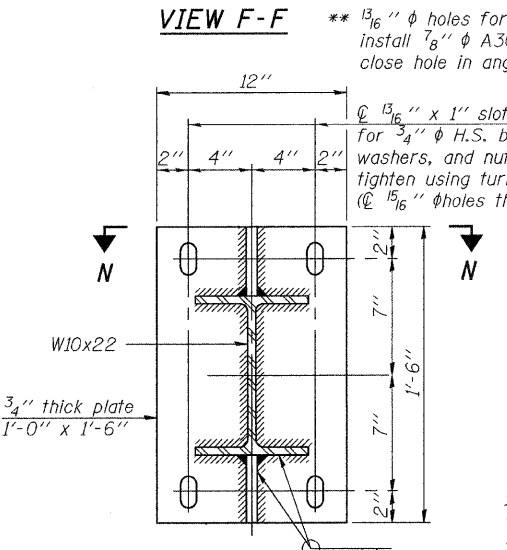
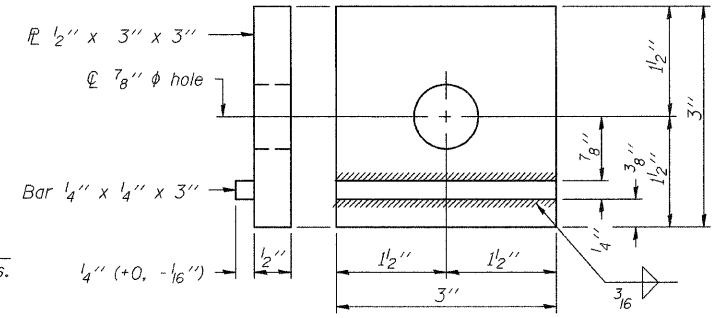
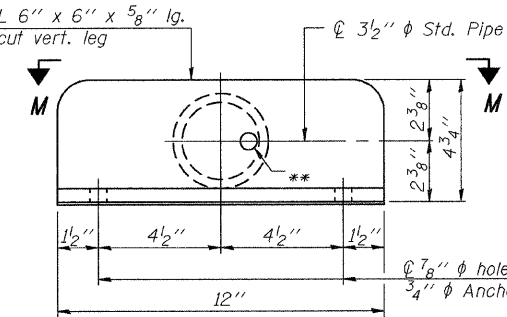
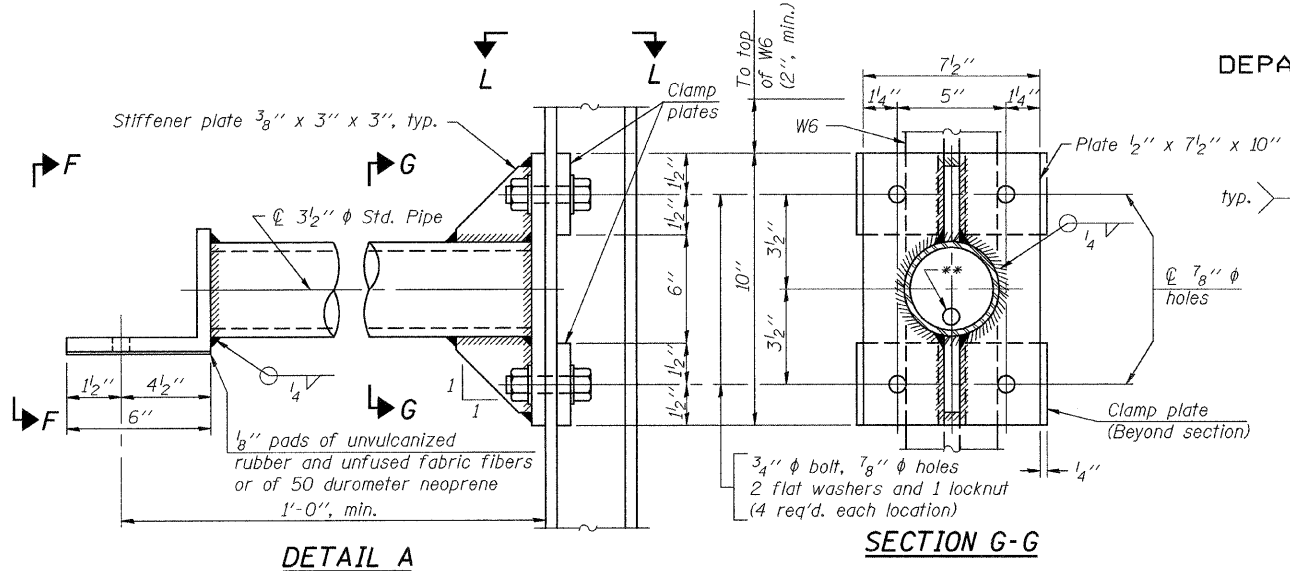
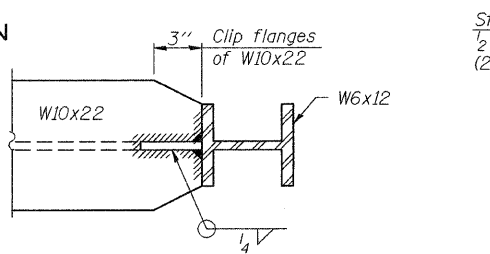


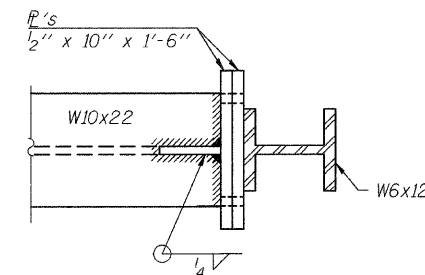
STATE OF ILLINOIS
DEPARTMENT OF TRANSPORTATION



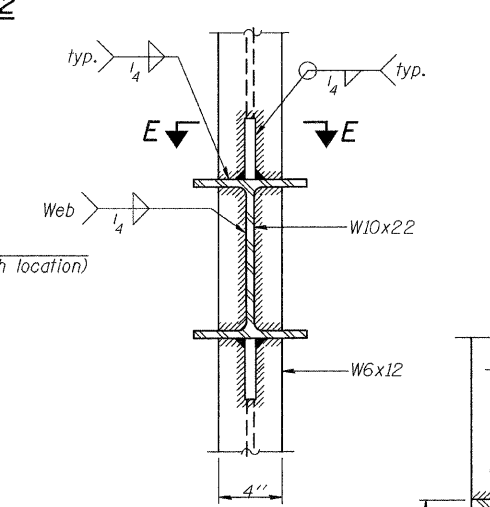
DETAIL B - WELDED W10x22
TO W6x12 CONNECTION



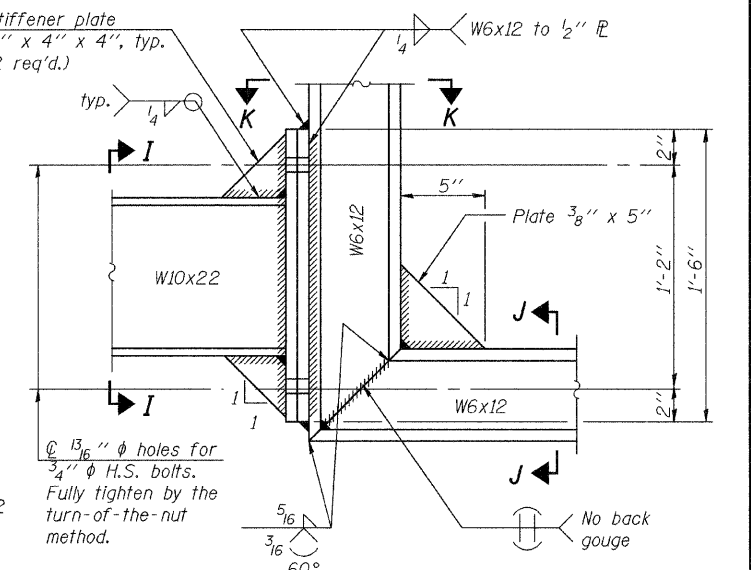
SECTION E-E



SECTION K-K

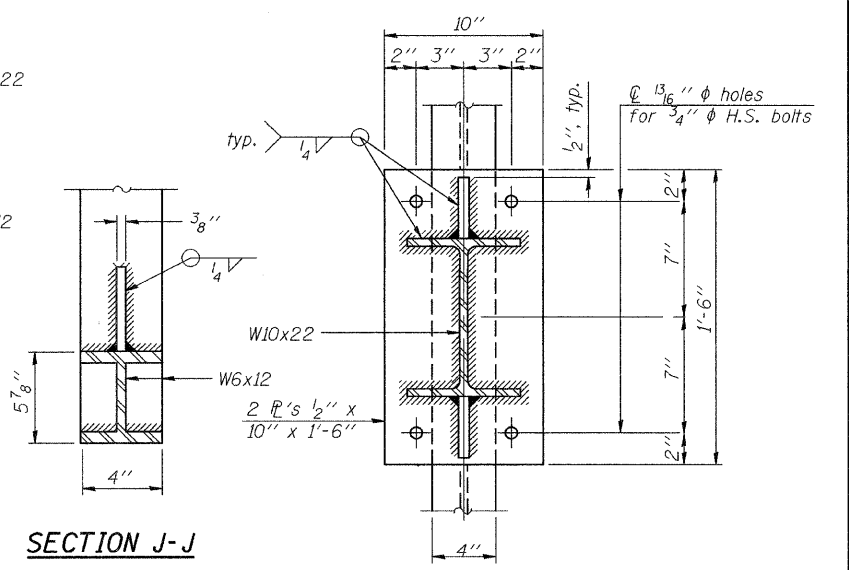


SECTION H-H



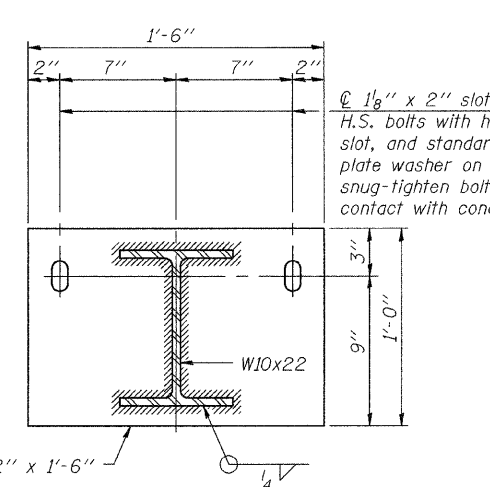
DETAIL B - ALTERNATE BOLTED
W10x22 TO W6x12 CONNECTION

Alternate may be substituted by contractor to facilitate construction or galvanizing, especially on long struts for skewed bridges.



SECTION J-J

SECTION I-I



SECTION D-D
Concrete beam or girder connection plate details.

BRIDGE MOUNT SIGN STRUCTURES
CONNECTION DETAILS
SN 060-0046

DESIGNED	A.T.H.
CHECKED	G.G.E.
DRAWN	Drew Christopher
CHECKED	A.T.H. G.G.E.

EXAMINED	January 21, 2010
PASSED	ENGINEER OF STRUCTURAL SERVICES
	ENGINEER OF BRIDGES AND STRUCTURES

BM-3 12-1-08

SHEET NO. 7	F.A.I. RTE. 270	SECTION	COUNTY	TOTAL SHEETS	SHEET NO.
		60 B-I-3, 60-1B-I-3, 60-(1,2,3)RS-1, 60-(2)HBY, 2VHBY, 3HBY-1, 3VHBY, 3VBY	Madison	12	11
8 SHEETS		CONTRACT NO. 76D30			
FED. ROAD DIST. NO.		ILLINOIS FED. AID PROJECT			