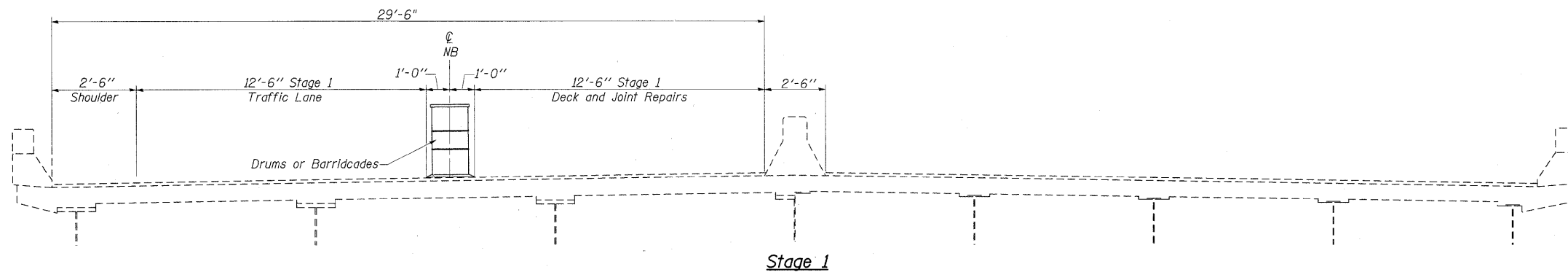
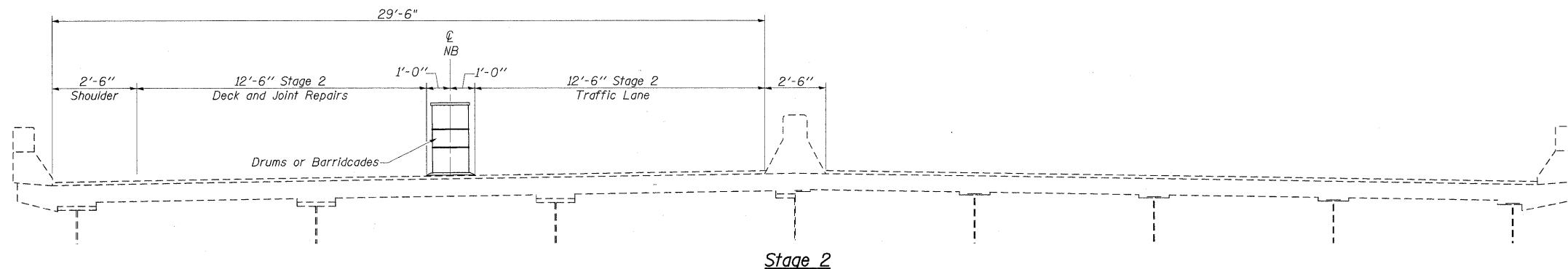


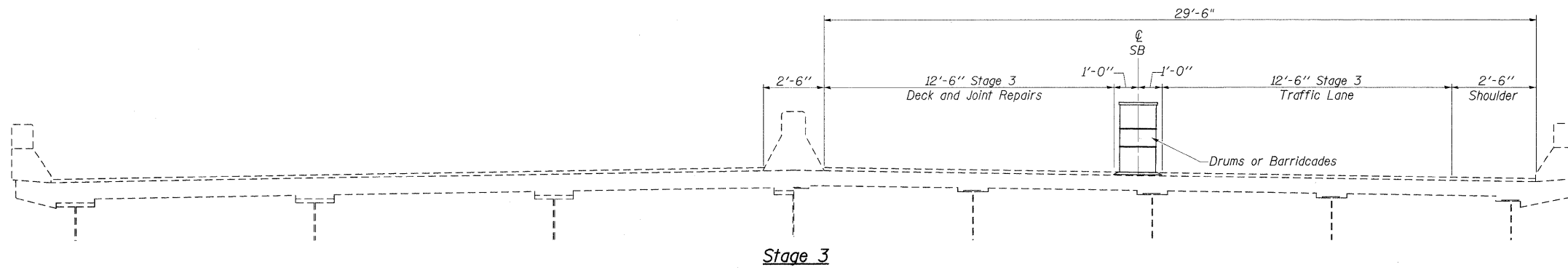
STATE OF ILLINOIS
DEPARTMENT OF TRANSPORTATION



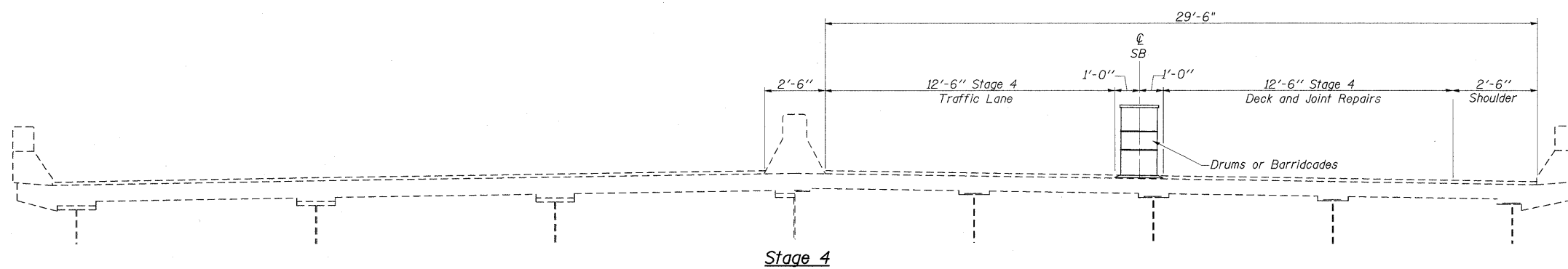
Stage 1



Stage 2



Stage 3



Stage 4

Northbound FAI-57

Southbound FAI-57

NOTES:

If the Contractor chooses to modify the suggested sequence of construction, the Contractor shall submit a revised sequence of construction and traffic control layout details for review and acceptance by the Engineer.

All sections looking South.

For additional traffic control details, refer to Traffic Control and Protection, Standard 701400 and Standard 701401.

**STAGE CONSTRUCTION
DETAILS**

FILE NAME =	USER NAME = cornellm	DESIGNED -	REVISED -	STATE OF ILLINOIS DEPARTMENT OF TRANSPORTATION	STAGE CONSTRUCTION				F.A.I. RTE.	SECTION	COUNTY	TOTAL SHEETS	SHEET NO.		
c:\pw_work\pwsdot\cornellm\08162997\78150-sh-t-plan.dgn		DRAWN -	REVISED -		SCALE:	SHEET NO.	OF	SHEETS	STA.	TO STA.	57	D9 DECK SEAL 2010-1	ALEXANDER	6	4
		CHECKED -	REVISED -		CONTRACT NO. 78160										
		DATE -	REVISED -		ILLINOIS FED. AID PROJECT										