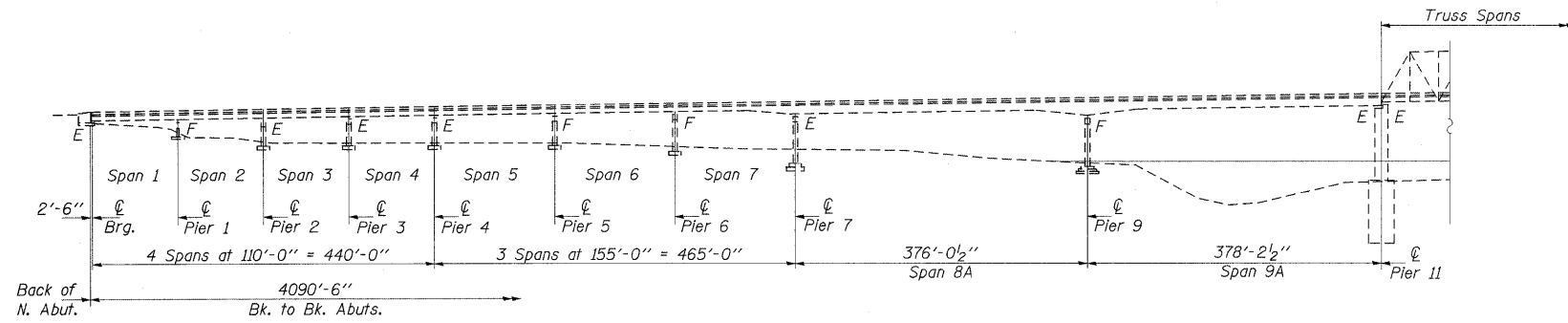
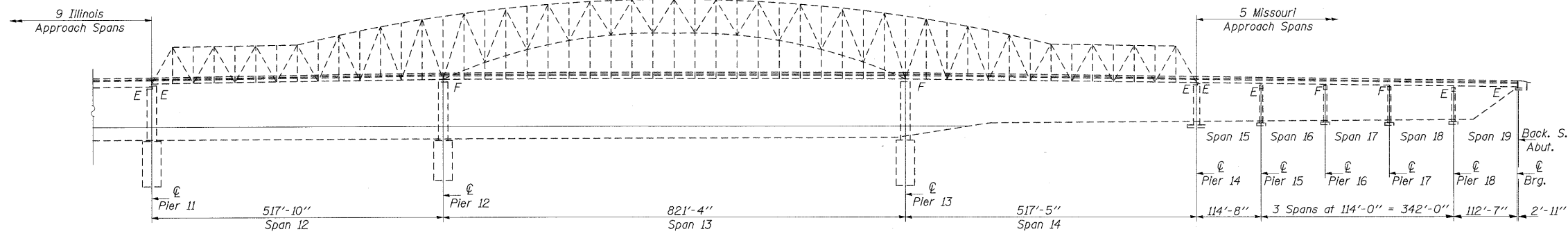


STATE OF ILLINOIS
DEPARTMENT OF TRANSPORTATION



- Notes:
- ① Replace existing Silicone Joint Sealer with new Silicone Joint Sealer.
 - ② Replace a section of Silicone Joint Sealer which is damaged.
 - ③ Remove and replace damaged portion of polymer concrete, removal included in cost of Polymer Concrete.
 - ④ Apply Bridge Deck Concrete Crack Sealer to cracks in deck surface. Apply Protective Coat to deck surface and inside face of parapets.

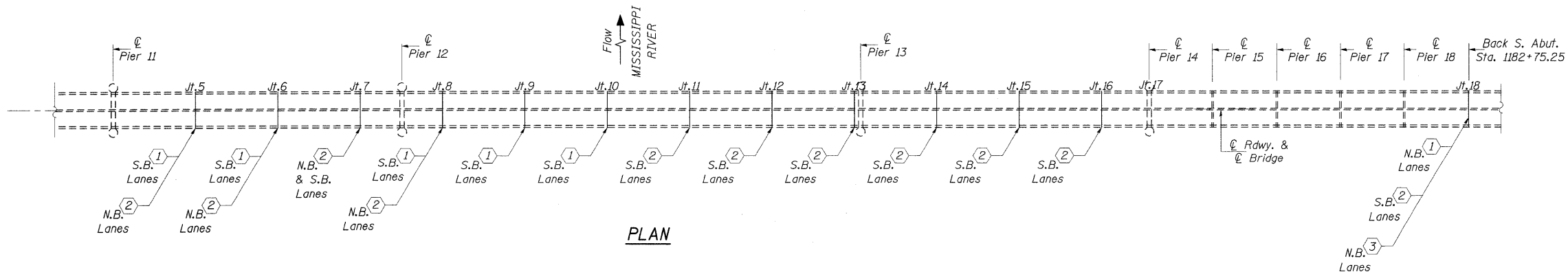
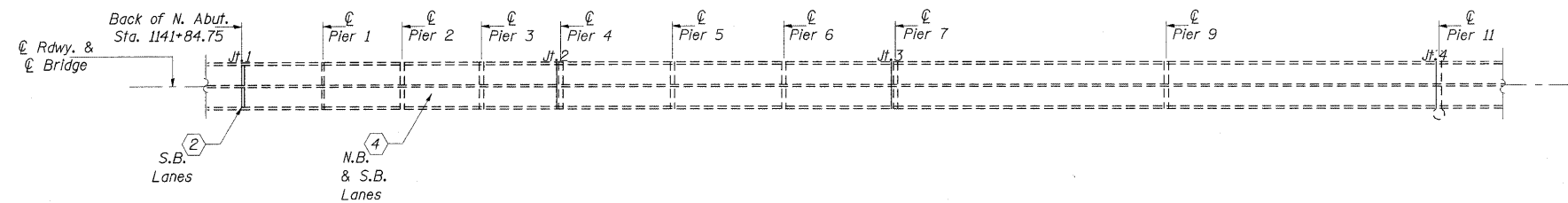


ELEVATION
(Looking East)



BILL OF MATERIAL

ITEM	UNIT	QUANTITY
Polymer Concrete	Cu. Ft.	0.6
Silicone Joint Sealer	Foot	429
Protective Coat	Sq. Yd.	32,718
Bridge Deck Concrete Crack Sealer	Foot	10,000



PLAN

**GENERAL PLAN
AND ELEVATION
BRIDGE REPAIRS
F.A.I. 57 OVER MISSISSIPPI RIVER
SEC. D9 DECK SEAL 2010-1
ALEXANDER COUNTY
S.N. 002-0022**

FILE NAME =	USER NAME = cornellm	DESIGNED -	REVISED -	STATE OF ILLINOIS DEPARTMENT OF TRANSPORTATION	GENERAL PLAN AND ELEVATION				F.A.I. RTE.	SECTION	COUNTY	TOTAL SHEETS	SHEET NO.
c:\pwork\pwork\cornellm\10162997\781610-shr-plan.dgn		DRAWN -	REVISED -		57	D9 DECK SEAL 2010-1	ALEXANDER	6	5				
PLOT SCALE = 50.0000' / IN.		CHECKED -	REVISED -		CONTRACT NO. 78160								
PLOT DATE = 12/3/2009		DATE -	REVISED -		SCALE:	SHEET NO.	OF SHEETS	STA.	TO STA.	ILLINOIS FED. AID PROJECT			