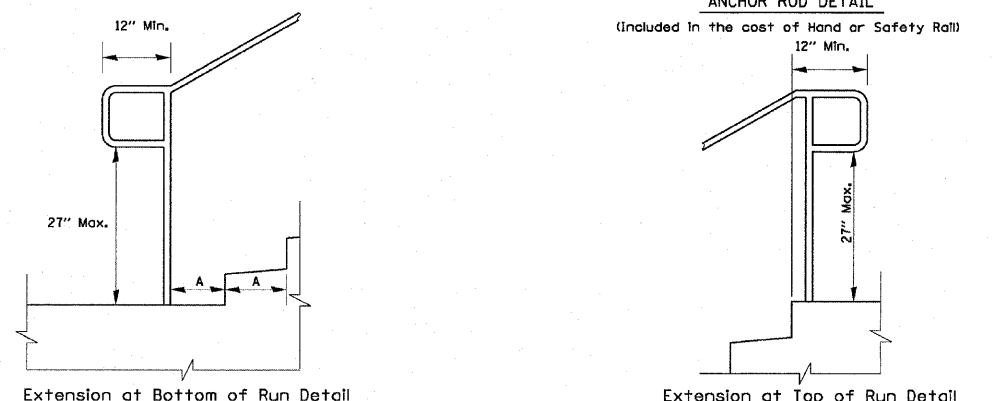
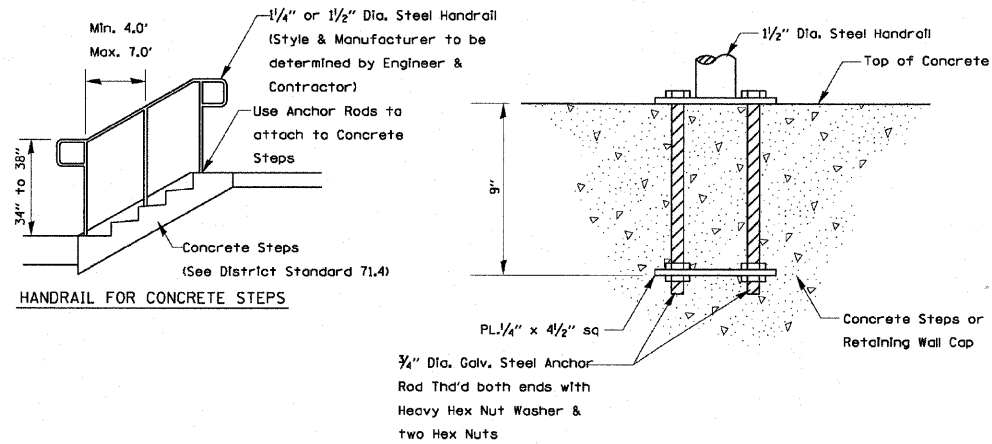
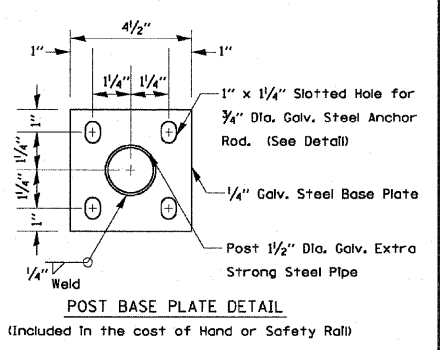


PIPE HANDRAILS FOR STEPS



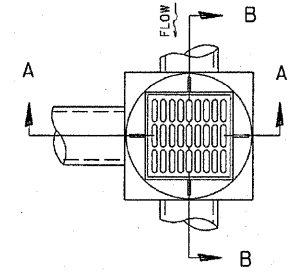
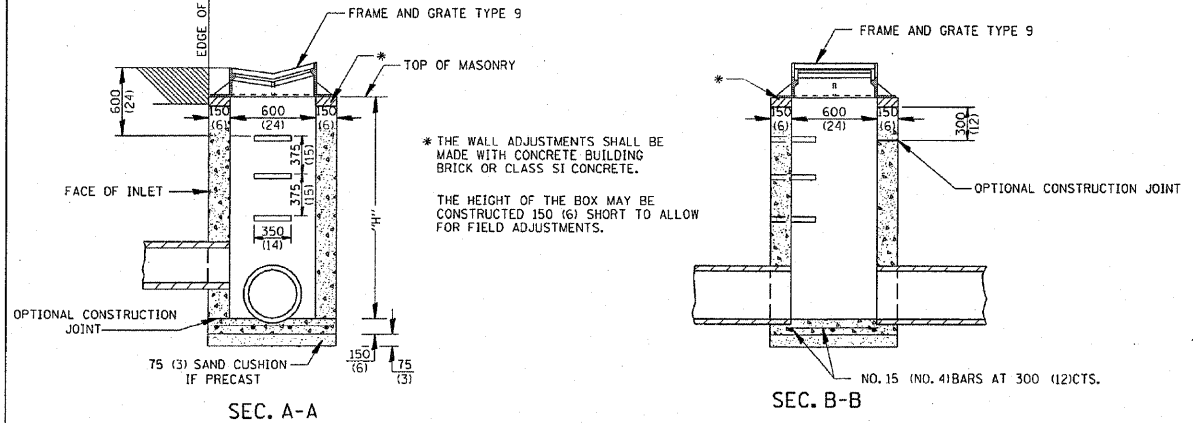
Notes:
 Stairways shall have continuous handrails both sides of all stairs.
 The inside handrail on switchback or dogleg stairs shall always be continuous.
 Gripping surfaces shall be uninterrupted by newel posts, other construction elements, or obstructions.
 Ends of handrail shall be either rounded or returned smoothly to floor, wall, or post.
 Hand & safety rails shall not rotate within their fittings.
 The clear space between handrails and any wall shall be 1/2\"/>



REVISED - 10-10-06	REGION 2 / DISTRICT 2 STANDARD	F.A. RTE.	SECTION	COUNTY	TOTAL SHEETS	SHEET NO.
REVISED -		CONTRACT NO.				
REVISED -		SCALE: 1/8\"/>				
REVISED -		CONTRACT NO.				

PIPE HANDRAILS FOR STEPS 63.2

INLET SPECIAL (TYPE A GUTTER)



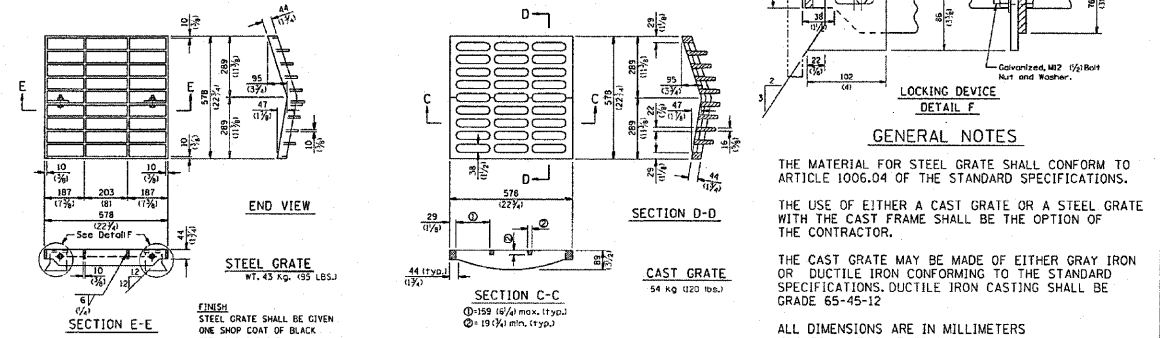
DETAIL OF FRAME & GRATE

NOTES
 SEE STANDARD 602701 FOR DETAILS OF STEPS.
 EXCEPT AS NOTED HEREON INLET SPECIAL SHALL BE CONSTRUCTED IN ACCORDANCE WITH SECTION 602 OF THE STANDARD SPECIFICATIONS.
 THE SIDE WALLS MAY BE BUILT AS PRECAST SEGMENTED SECTIONS.
 ALL VOIDS AROUND PIPE ENTRANCE, BOTH INSIDE AND OUTSIDE, SHALL BE SEALED WITH MORTAR.
 WEIGHT OF CAST IRON FRAME & GRATE = 200kg (440 LBS.)
 STEPS SHALL BE OMITTED WHEN DEPTH OF "H" IS LESS THAN 1524 (60).

NOTES

CLASS SI CONCRETE OR PRECAST CONCRETE SHALL BE USED THROUGHOUT. PRECAST CONCRETE SHALL BE IN ACCORDANCE WITH SECTION 504.01 THRU 504.05 OF THE STANDARD SPECIFICATIONS EXCEPT THAT CONCRETE STRENGTH SHALL BE 27.5 MPa (4,000 PSI) AFTER 28 DAYS.

THE CONTRACT UNIT PRICE EACH FOR INLET SPECIAL SHALL INCLUDE THE COST OF CONSTRUCTING THE INLET BOX, FURNISHING AND INSTALLING THE FRAME AND GRATE, THE CAST IRON STEPS (IF USED), THE PRECAST FLOOR SLAB, SAND CUSHION (WHEN USED) AND REINFORCEMENT BARS.



REVISED 1-27-00 11.2

ROUTE NO.	SECTION	COUNTY	TOTAL SHEETS	SHEET NO.
5. B. I.	*	LEE	21	20
F.A.A.L.				
FED. ROAD DIST. NO. 7	ILLINOIS	FED. AID PROJECT-		

* Section 09-P4000-01-BT Contract #85504

DETAILS

THE LOWELL TRAIL, PH. 2
 SECTION 09-P4000-01-BT
 DIXON PARK DISTRICT



www.wendlergs.com GROUND BREAKING SOLUTIONS engineers - surveyors - scientists ph: 815.288.2281

Date: 11/20/2009
 Job: 2090299