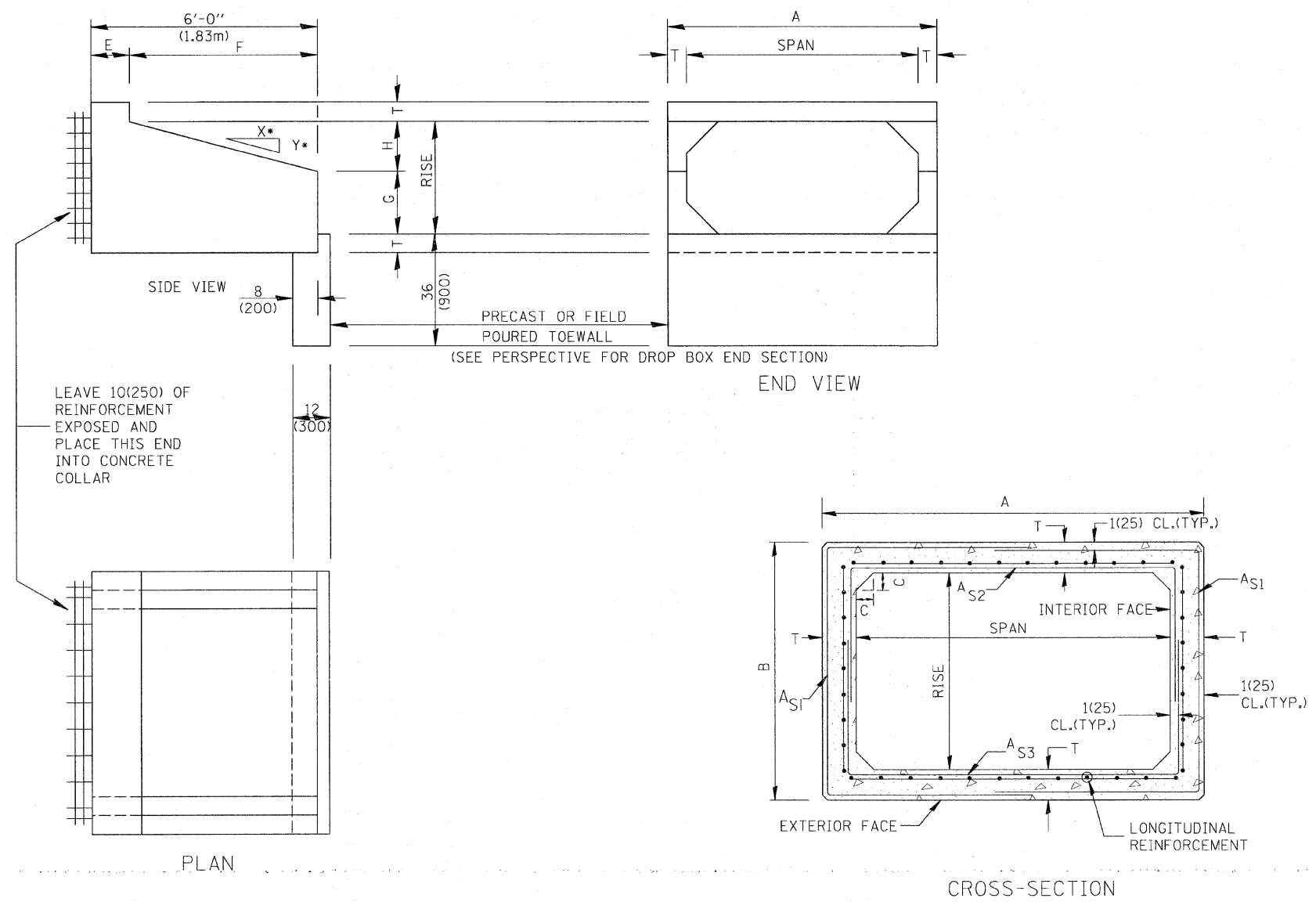


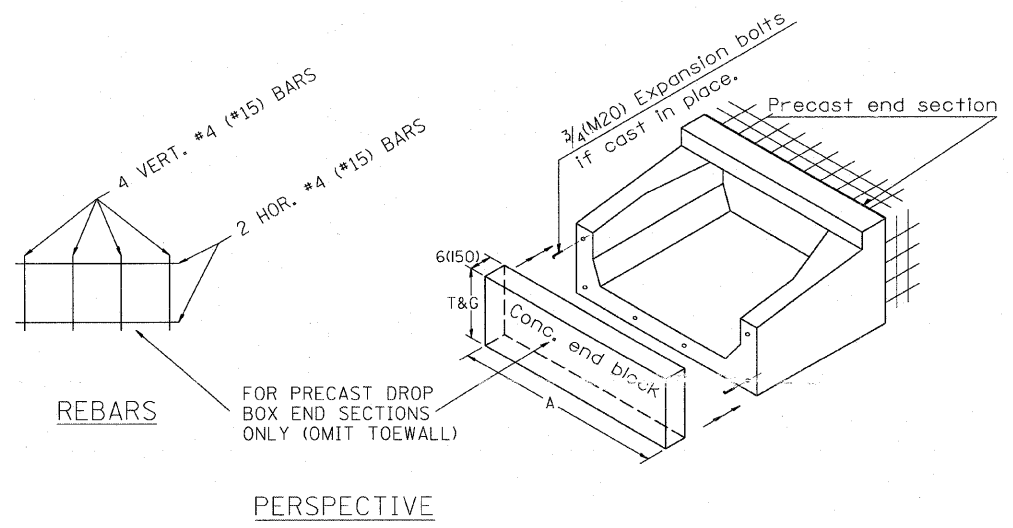
F.A. RTE.	SECTION	COUNTY	TOTAL SHEETS	SHEET NO.
358	86-00075-01-AS	WOODFORD	66	29
STA.		TO STA.		
FED. ROAD DIST. NO.		ILLINOIS FED. AID PROJECT		



GENERAL NOTES:

1. The Box Culvert Sections shall conform to ASTM C789 for 2' (0.6 m) cover or more. If less than 2' (0.6 m) of cover exists, then ASTM C-850 applies and modify Table 'B' and drawing.
2. The Aggregate shall conform to the requirements of Articles 1003.02 and 1004.02 of the Standard Specifications. The gradation requirements do not apply.
3. The External Sealing Band shall conform to ASTM C 877. The appropriate portions of Articles 550.02(1) and 1057.01 of the Standard Specifications shall apply.
4. Shop plans for the Precast Reinforced Box Culvert Sections, End Sections and Drop Box End Sections shall be submitted in accordance with Article 540.06 of the Standard Specifications.
5. All dimensions shall be verified with the Supplier.

DESIGNER NOTES:
1. INSERT DISTRICT SPECIAL PROVISION.
2. TO BE USED IN CONJUNCTION WITH CONCRETE COLLAR.



All dimensions are in inches (millimeters) unless otherwise noted.

ILLINOIS DEPARTMENT OF TRANSPORTATION	
DISTRICT CADD STANDARD	
PRECAST CONCRETE BOX CULVERTS (SPECIAL), END SECTION (SPECIAL), & DROP BOX END SECTIONS (SPECIAL)	
CADD STANDARD 540401-D4(1)	DRAWN BY CADD
SCALE: NOT DRAWN TO SCALE	CHECKED BY
	SHEET 1 OF 2

DATE	REVISIONS	BY
1-1-97	RENUM. J-12.08 AND J-12.09, NEW FORMAT, METRICS, NEW REVISION BOX, NOTES.	T.P.
5-1-97	CORRECT TITLE & GEN. NOTES	J.A.
6-17-99	CORRECT DIMENSIONS	J.A.
10-16-06	REVISED TO 2007 SPEC.	M.A.