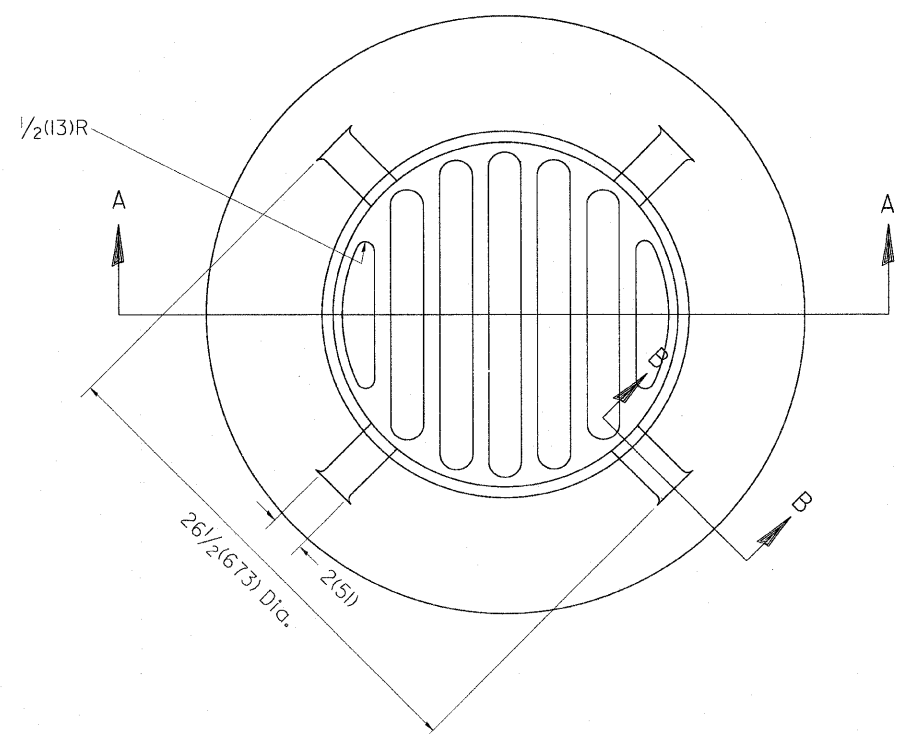
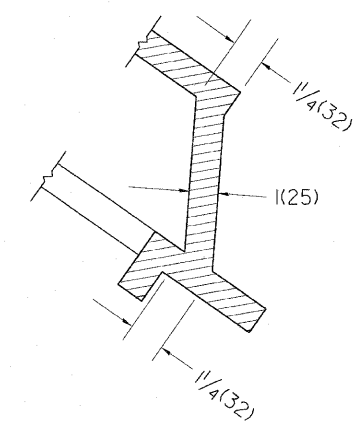


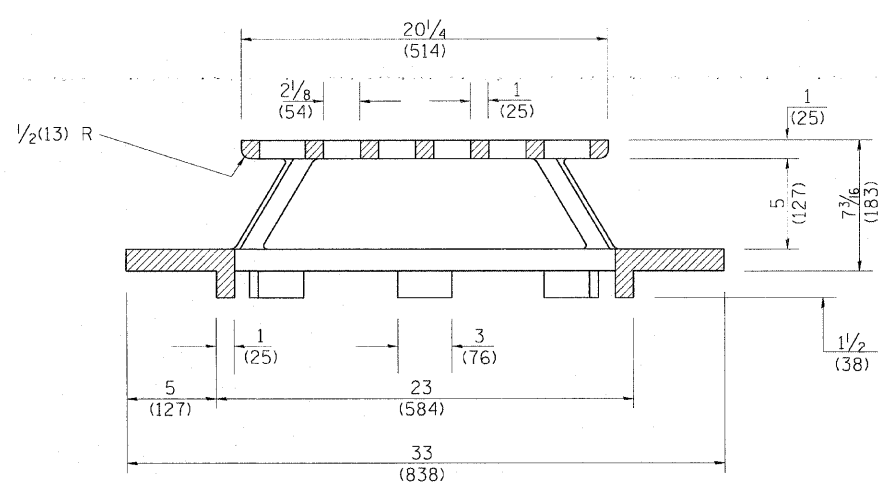
F.A. RTE.	SECTION	COUNTY	TOTAL SHEETS	SHEET NO.
358	86-00075-01-AS	WOODFORD	66	31
STA. _____		TO STA. _____		
FED. ROAD DIST. NO. _____		ILLINOIS	FED. AID PROJECT	



PLAN



SECTION B - B



SECTION A - A

GENERAL NOTES

1. MATERIAL - Cast Gray Iron
Weight 209 lbs (95 kg)

All dimensions are in inches (millimeters) unless otherwise noted.

ILLINOIS DEPARTMENT OF TRANSPORTATION
DISTRICT CADD STANDARD

DATE	REVISIONS	BY
1-1-97	RENUM. B-10.02, NEW REVISION BOX	T.P.
10-16-06	REVISED TO 2007 SPEC.	M.A.

TYPE 37 GRATE
CADD STANDARD 604301-D4
SCALE NOT TO SCALE
DRAWN BY CADD
CHECKED BY

DESIGNER NOTE:
1. INCLUDE DISTRICT SPECIAL PROVISION.