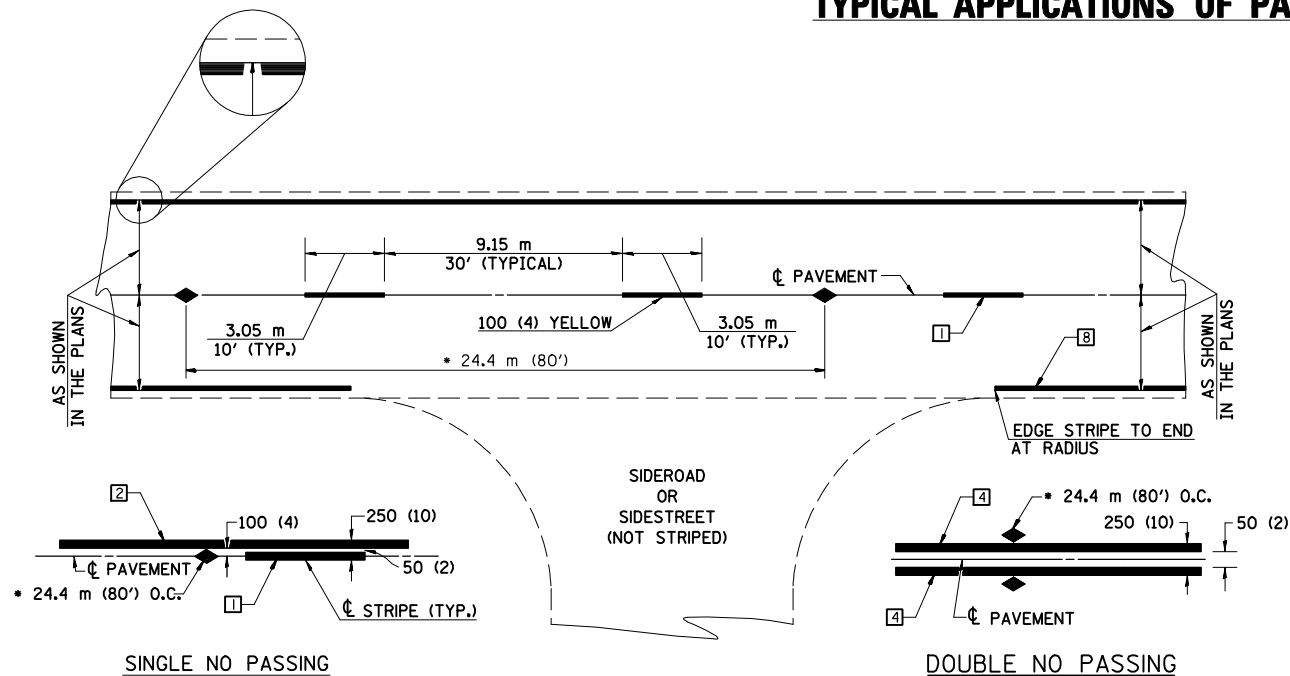


F.A.I. RTE.	SECTION	COUNTY	TOTAL SHEETS	SHEET NO.
57	(15,21-25HB-2)BR	DOUGLAS	65	33
FED. ROAD DIST. NO.		ILLINOIS	FED. AID PROJECT	

**CONTRACT NO. 90952**

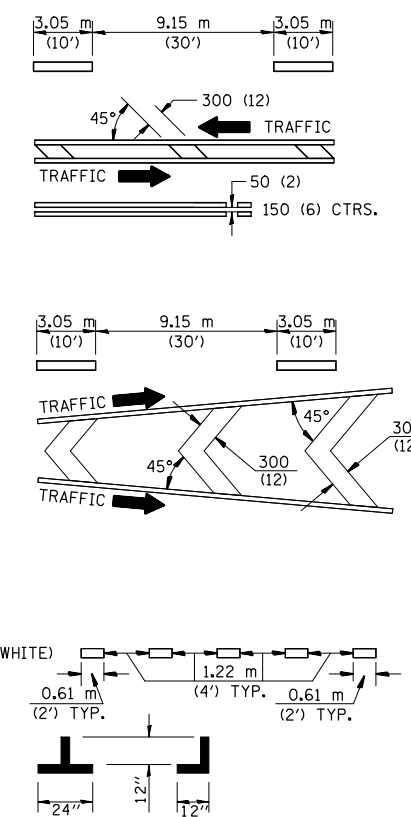
## TYPICAL APPLICATIONS OF PAVEMENT MARKINGS AND MARKERS



• REDUCE TO 12.2 m (40') O.C. ON CURVES WITH POSTED OR ADVISORY SPEEDS OF 70 km/h (45 mph) OR LESS.

### TYPICAL PAVEMENT MARKING LEGEND

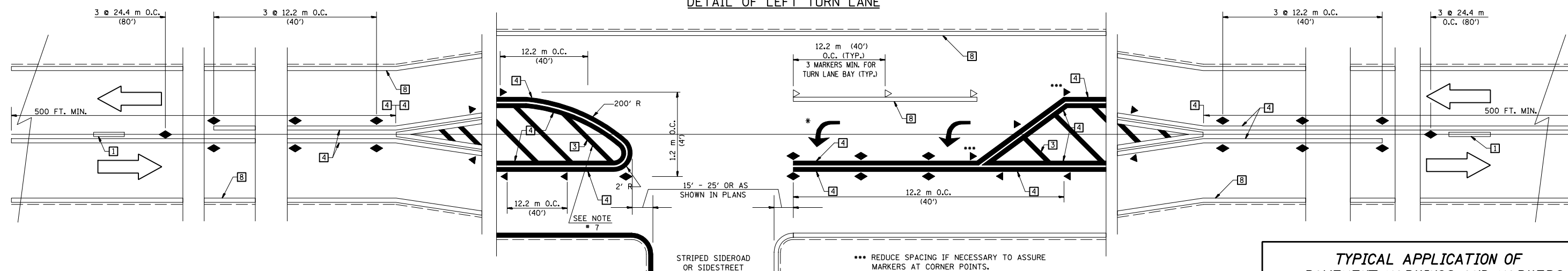
- 1 100 (4) SKIP-DASH (YELLOW)
- 2 100 (4) SOLID (YELLOW)
- 3 300 (12) DIAGONAL (YELLOW)
- 4 100 (4) YELLOW (NARROW)
- 5 RESERVED
- 6 RESERVED
- 7 100 (4) SKIP-DASH (WHITE)
- 8 100 (4) SOLID (WHITE)
- 9 300 (12) DIAGONAL (WHITE)
- 10 150 (6) CROSS WALK (WHITE)
- 11 600 (24) STOP BAR (WHITE)
- 12 200 (8) SOLID (WHITE)
- 13 100 (4) LANE LINE EXTENSIONS (WHITE)
- 14 100 (4) PARKING (WHITE)



### TYPICAL PAVEMENT MARKERS LEGEND

- ◆ TWO-WAY AMBER MARKER
- ▶ ONE-WAY AMBER MARKER
- ▷ ONE-WAY CRYSTAL MARKER

### DETAIL OF LEFT TURN LANE



ALL DIMENSIONS ARE IN MILLIMETERS (INCHES) UNLESS OTHERWISE NOTED

- \*\*\* REDUCE SPACING IF NECESSARY TO ASSURE MARKERS AT CORNER POINTS.
- TURN ARROWS SHALL BE PLACED AS SHOWN ON SHEET #2.

### TYPICAL APPLICATION OF PAVEMENT MARKINGS AND MARKERS

F.A.I. ROUTE 57  
SECTION (15, 21-25HB-2)BR  
DOUGLAS COUNTY  
S.N. 021-0024

CUMMINS ENGINEERING CORPORATION

JOB #: 2114.1  
FILE: 21141PVMTM  
DATE: 1/10/06