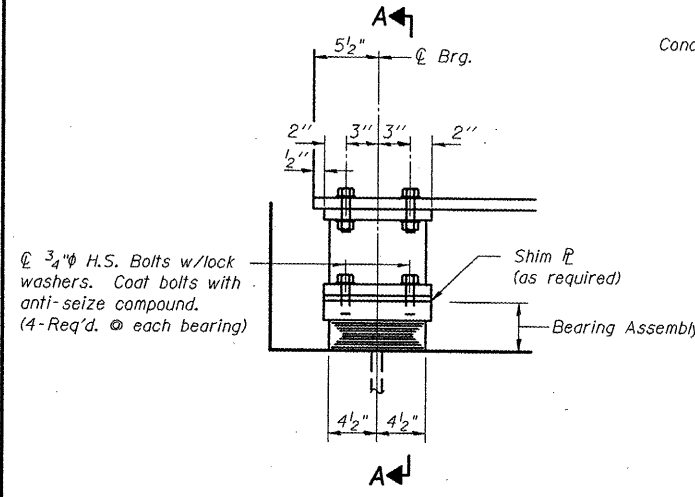
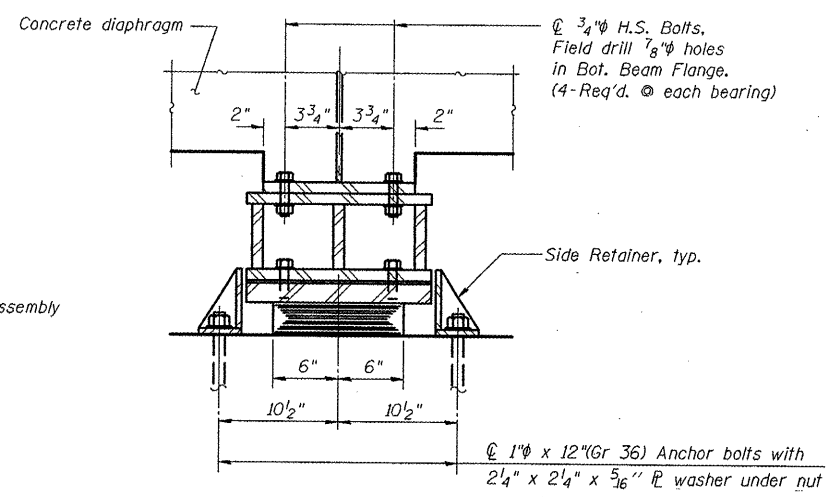


ROUTE NO.	SECTION	COUNTY	TOTAL SHEETS	SHEET NO.
F.A.I. 57	(15.21-25HB-2)BR	DOUGLAS	65	51
FED. ROAD DIST. NO. 5		ILLINOIS	PROJECT	
Sheet 15 of 22		CONTRACT #90952		

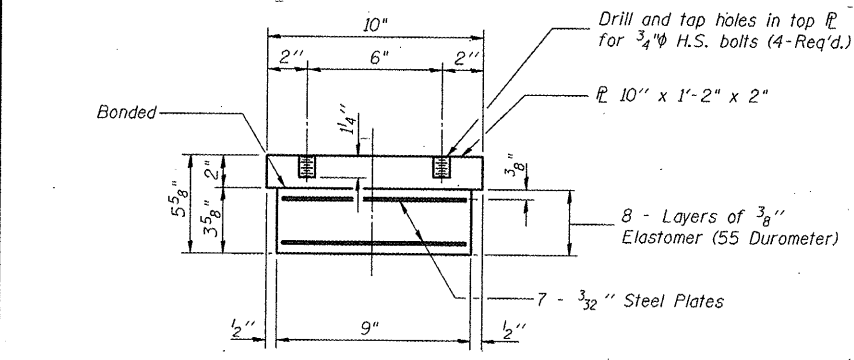


ELEVATION AT ABUT.



SECTION A-A

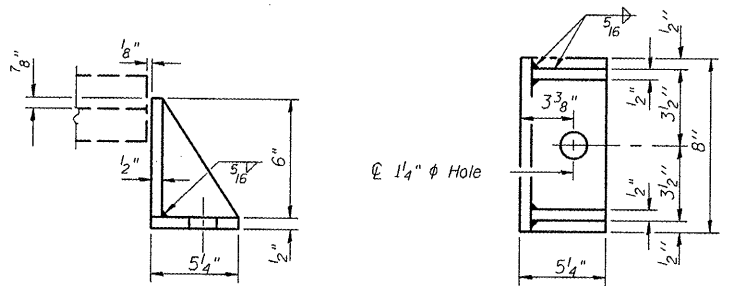
TYPE I ELASTOMERIC EXP. BRG.



BEARING ASSEMBLY

Note: Shim plates shall not be placed under Bearing Assembly.

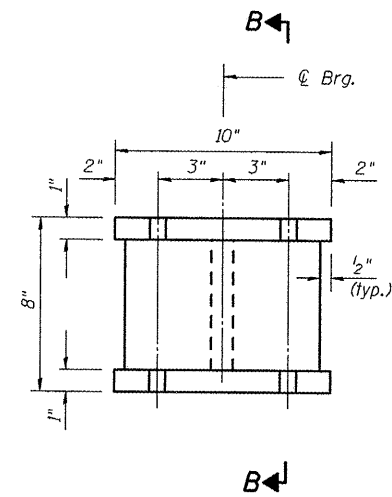
Notes: Anchor bolts shall be ASTM F1554 all-thread (or an Engineer-approved alternate material) of the grade(s) and diameter(s) specified. ASTM A307 Grade C anchor bolts may be used in lieu of ASTM F1554 Grade 36 (Fy=36ksi). The corresponding specified grade of AASHTO M314 anchor bolts may be used in lieu of ASTM F1554.
Anchor bolts for side retainers may be cast in place or installed in holes drilled before or after members are in place.
Drilled and set anchor bolts shall be installed according to Article 521.06 of the Standard Specifications.



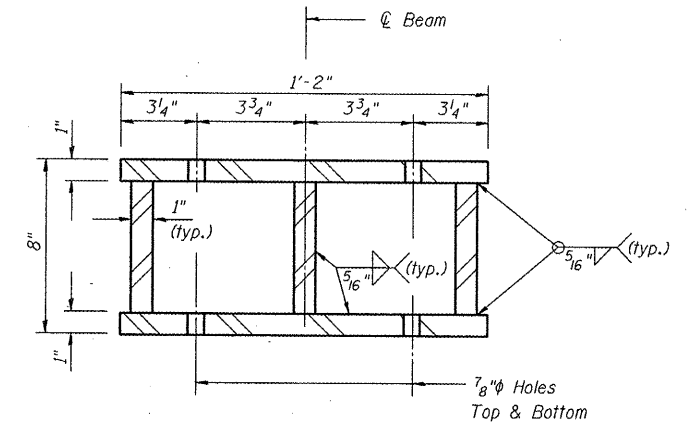
SIDE RETAINER

Equivalent rolled angle with stiffeners will be allowed in lieu of welded plates. Weight included with Structural Steel.

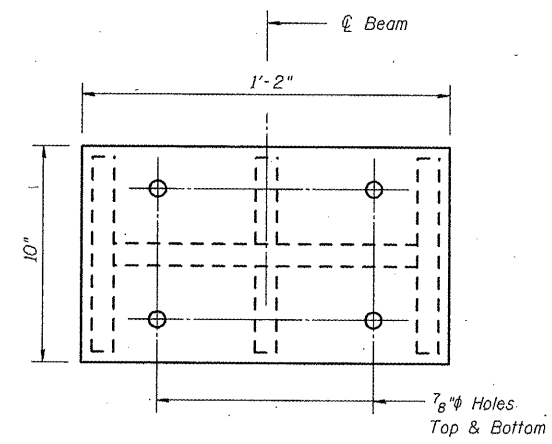
DESIGNED	Ruben V. Boehler
CHECKED	Tim S. Howard
DRAWN	Nicole L. Darling
CHECKED	Michael D. Cummins



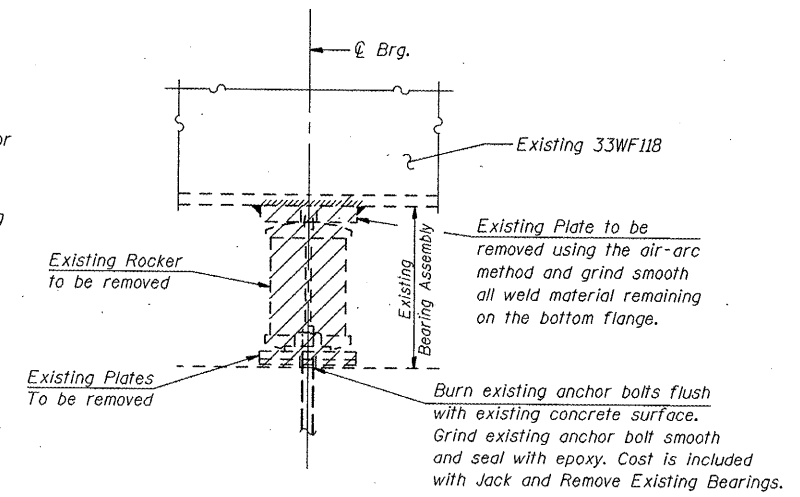
ELEVATION STEEL EXTENSION



SECTION B-B



PLAN STEEL EXTENSION



EXISTING BEARING REMOVAL AT ABUTS

Reaction @ Abuts. = 3 kips (Wt. of steel only)
Min. Jack Capacity @ Abuts. = 5 tons

Notes: Diaphragm removal and replacement may be required to facilitate drilling holes. Cost shall be included with Furnishing and Erecting Structural Steel.
New side retainers, shim plates, steel extensions, and connection bolts are included with Furnishing and Erecting Structural Steel.

Prior to ordering any material, the Contractor shall verify in the field all bearing height and shim thickness dimensions.
Two 1/8 in. adjusting shims shall be provided for each bearing in addition to all other plates or shims and placed as shown on bearing details.

BILL OF MATERIAL

Item	Unit	Total
Elastomeric Bearing Assembly Type I	Each	18
Jack and Remove Existing Bearings	Each	18
Anchor Bolts, 1"	Each	36

BEARING DETAILS

IL ROUTE 133 OVER I-57
F.A.I. ROUTE 57 SECTION (15.21-25HB-2)BR
DOUGLAS COUNTY
STA. 1492+76.53
S.N. 021-0024

CUMMINS ENGINEERING CORPORATION	JOB #: 2114
	FILE: 2114BRG
	DATE: 10/24/06