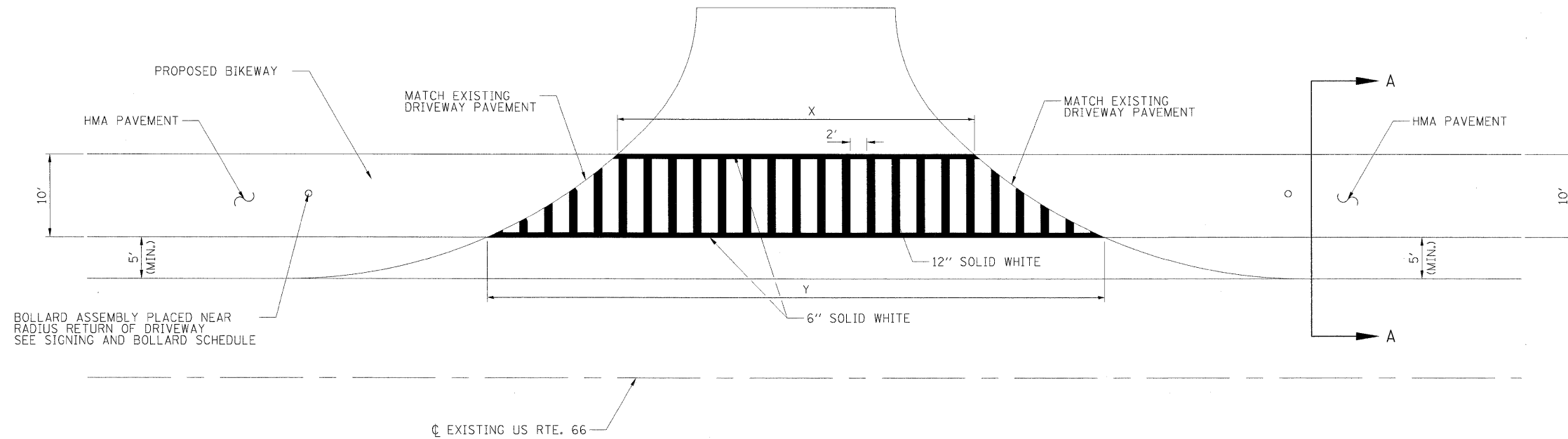


SECTION A-A

PAVEMENT MARKING SCHEDULE						
STA.	OFFSET		STREET NAME	X	Y	
674+12.00	5'	LT	POPPY ST.	49'	51'	100'
680+34.00	5'	LT	GERANIUM AVE.	59'	61'	120'
683+43.00	5'	LT	BLUE BONNET DR.	65'	68'	133'
698+20.00	5'	LT	FULLER CT.	49'	51'	100'
709+94.00	5'	LT	ASHLEY DR.	45'	47'	92'
716+68.00	5'	LT	ACCESS WAY	42'	44'	86'
727+69.00	5'	LT	BEICH PLANT (SOUTH)	34'	37'	71'
752+71.00	25'	RT	ENTRANCE	33'	33'	66'



TYPICAL ASPHALT ENTRANCE DETAIL

NOTES:

- 1 SLOPE TRANSITION OVER 15' BEFORE AND AFTER ENTRANCE

I:\01\Jobs\0152024A\CADD\Road\Sheet\C-501_ENT.dgn	USER NAME = Todt00272	DESIGNED - heyen	REVISED -	STATE OF ILLINOIS DEPARTMENT OF TRANSPORTATION	ENTRANCE DETAILS			F.A. RTE.	SECTION	COUNTY	TOTAL SHEETS	SHEET NO.
	PLOT SCALE = 1.0000' / 1in.	DRAWN - pop00275	REVISED -					01-00001-01-BT	MCLEAN	50	34	
	PLOT DATE = 11/19/2009	CHECKED - heyen	REVISED -		SCALE: N.T.S. SHEET NO. 2 OF 2 SHEETS STA. TO STA.			C-95-301-10		CONTRACT NO. 91429		
		DATE - 11/03/2009	REVISED -		ILLINOIS FED. AID PROJECT							