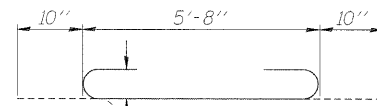
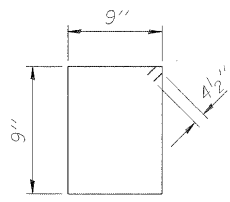


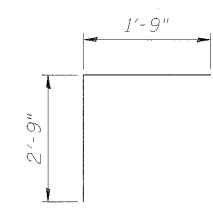
SECTION THRU BARREL



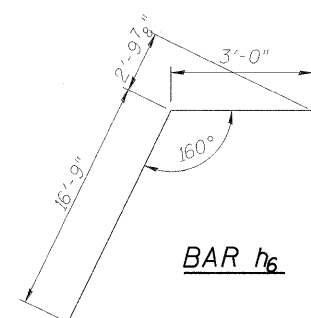
BAR a1



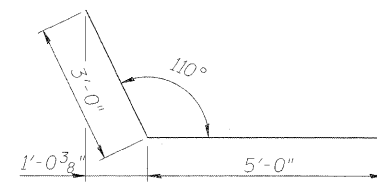
BAR s



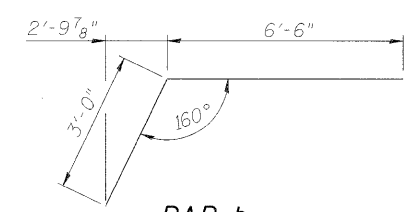
BAR d



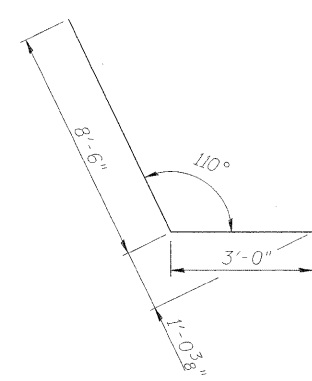
BAR h6



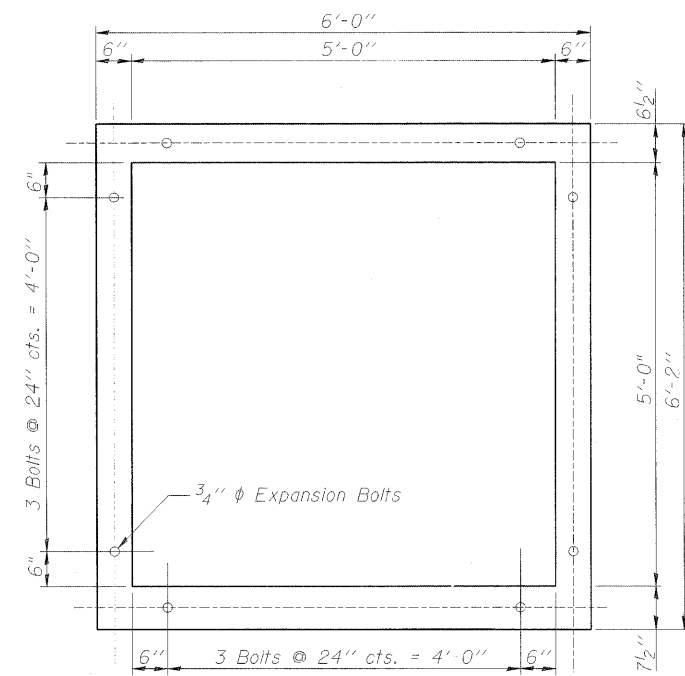
BAR h8



BAR h7



BAR h9



SECTION THRU BARREL SHOWING EXPANSION BOLTS

BILL OF MATERIAL

Bar	No.	Size	Length	Shape
a1	100	#7	7'-4"	U
a2	19	#4	5'-8"	—
d	7	#4	4'-6"	L
h	7	#6	24'-6"	—
h1	12	#4	24'-6"	—
h2	10	#5	24'-6"	—
h3	6	#6	8'-9"	—
h4	1	#4	8'-0"	—
h5	8	#6	8'-6"	—
h6	8	#8	19'-9"	—
h7	7	#8	9'-6"	—
h8	8	#6	8'-0"	—
h9	7	#6	11'-6"	—
s	9	#4	3'-9"	□
v	70	#4	5'-10"	—
v1	10	#4	8'-9"	—
Reinforcement Bars			Pound	3660
Concrete Box Culverts			Cu. Yd.	20.0
Concrete Removal			Cu. Yd.	0.5

GENERAL NOTES

1. Reinforcement bars shall conform to the requirements of ASTM A 706 Gr. 60. See Special Provisions.
2. All construction joints shall be bonded.
3. Expansion bolts shall be 3/4" φ hooked bolts. Hooked bolts shall extend a min. of 9" into new concrete. Cost of 3/4" φ expansion bolts shall be included with Concrete Box Culverts.
4. a1 and a2 bars in skewed portion of slab shall be ordered full length. Cut to fit.
5. h and h1 bars in slab shall be ordered full length. Cut or bend to fit.
6. A distance of half the length of wingwall but not less than six feet of the barrel shall be poured monolithically with the wingwall.
7. Structure Excavation required shall be according to Article 502 of the Standard Specifications. Cost of excavation shall not be paid for separately but included with Concrete Box Culverts.